



**Waste system
solutions**

Technik für Möbel


Hettich

Publisher's imprint

© Hettich Australia
1 Herbert Place
Smithfield NSW 2164

Free Phone: 1800 687 789
Instagram @hettichaustralia
support@hettich.com.au
www.hettich.com.au

We reserve all rights to this catalogue under copyright law. It shall not be permissible to duplicate this catalogue in any form either in whole or in part without our written consent. Subject to technical alterations. Errors and omissions excepted. Subject to colour variations.

April 2022
Order no.: 1160086

Waste systems solutions

▶ Summary



Waste Bin Systems behind front panels

4 - 13

- ▶ InsertFlex
- ▶ Bin.it Vario
- ▶ Bin.it Smart
- ▶ Bin.it Prime
- ▶ Bin.it Duo I
- ▶ Bin.it Trio I
- ▶ Waste Collecting System 300



Waste Bin Systems behind hinged doors

14 - 15

- ▶ Bin.it Classic



Built-in Waste Bin systems

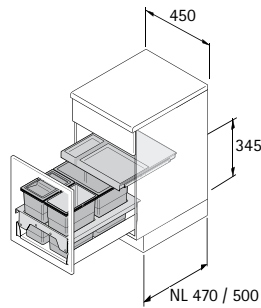
16 - 23

- ▶ Bin.it Single II
- ▶ Bin.it Duo II
- ▶ Bin.it Space
- ▶ Bin.it Drop
- ▶ Replacement Bins




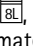
- ▶ Can be used in ArciTech pot-and-pan drawers, height 186 mm or 218 mm, nominal length (NL) 500 mm, or InnoTech Atira, height 144 mm or 176 mm, nominal length (NL) 470 mm
- ▶ Installed height 345 mm from upper edge of drawer base
- ▶ The fitted frame is installed on the railing and fixed in place at front panel and drawer base
- ▶ The lid with partial extension runner provides an additional storage area
- ▶ Fitted frame, pull-out lid, bin and lid, grey plastic

InsertFlex 450



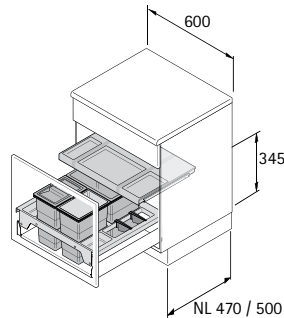
- ▶ For cabinet width 450 mm

Set comprises:

- ▶ 1 fitted frame
- ▶ 1 pull-out lid with runners
- ▶ 1 bin 
- ▶ 2 bins, , one of which with lid
- ▶ Fixing material


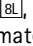
Order no.	PU
9 207 638	1 set

InsertFlex 600



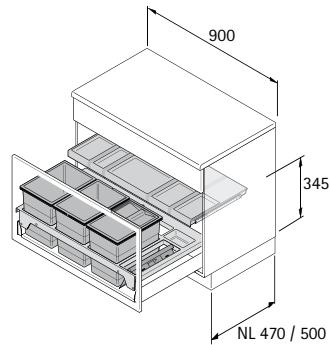
- ▶ For cabinet width 600 mm

Set comprises:

- ▶ 1 fitted frame with 1 storage compartment each on right and left
- ▶ 1 pull-out lid with runners
- ▶ 1 bin 
- ▶ 2 bins, , one of which with lid
- ▶ Fixing material and 4 dividers

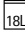
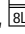
Order no.	PU
9 207 642	1 set

InsertFlex 900



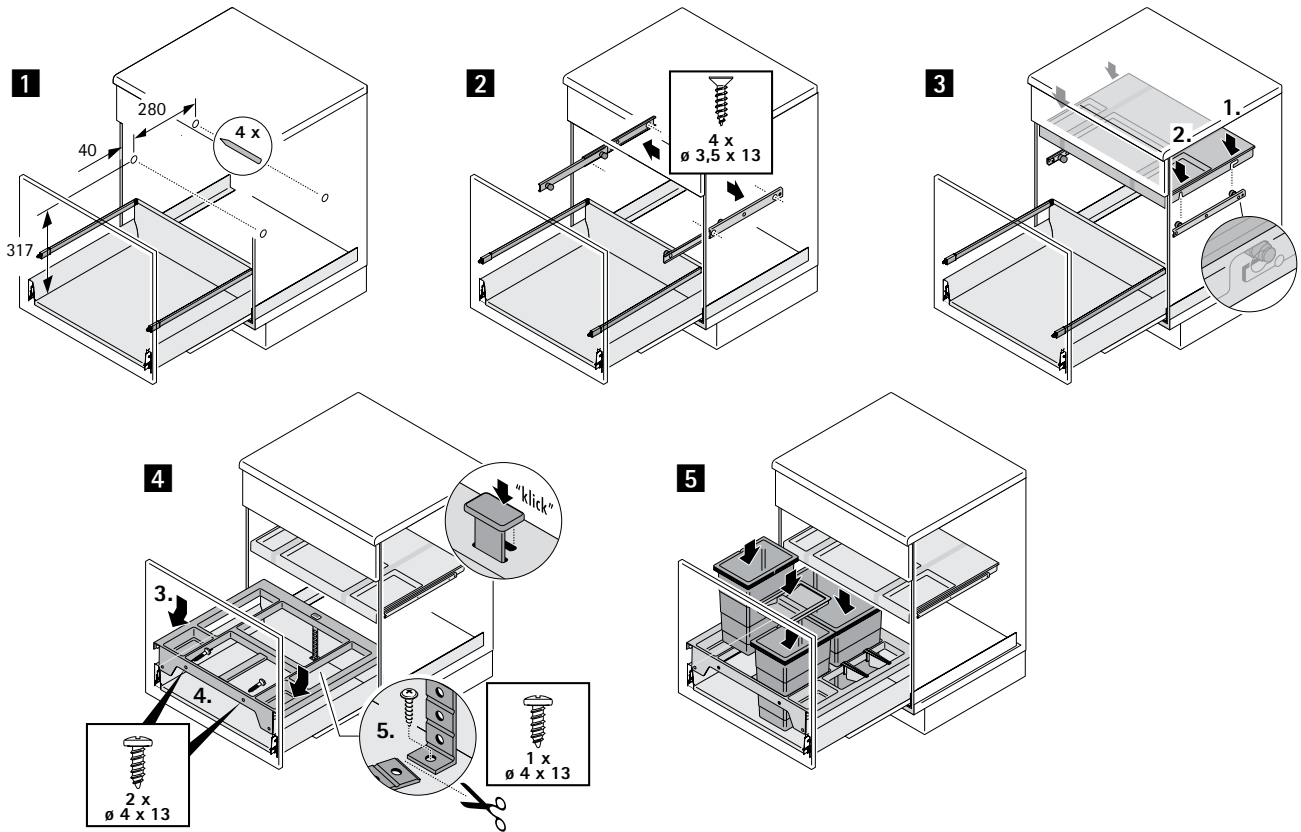
► For cabinet width 900 mm

Set comprises:

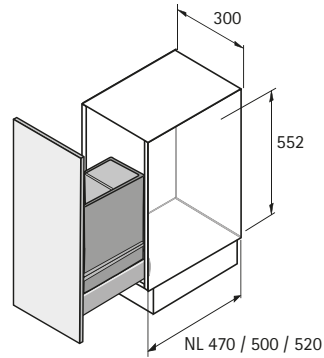
- 1 fitted frame with 1 storage compartment at rear
- 1 pull-out lid with runners
- 2 bins 
- 2 bins , one of which with lid
- 1 sweeping set, red plastic
- Fixing material and 3 dividers

Order no.	PU
9 207 644	1 set

Installation



Bin.it Vario 300 - 40L



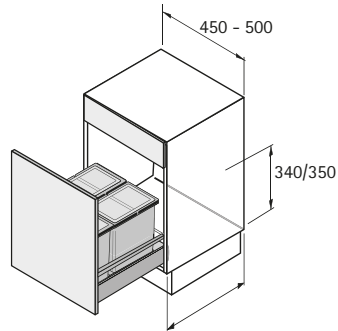
- ▶ For use in pot-and-pan drawer, e.g. InnoTech Atira, nominal length (NL) 470 / 520 mm or for ArciTech, nominal length (NL) 500 mm
- ▶ For cabinet width 300 mm
- ▶ Capacity 40 litres
- ▶ Installed height 552 mm
- ▶ Cut dimensions of fitted shelf: max. width 230 mm, max. depth 565 mm min. width 205 mm, min. depth 400 mm
- ▶ Shelf, bin and lid, grey plastic

Set comprises:

- ▶ 1 bin with lid
- ▶ 1 shelf

Order no.	PU
9 207 649	1 set

Bin.it Smart 450 / 500



AvanTech / ArciTech = NL 500 / 550
InnoTech Atira = NL 470 / 520

- ▶ For use in pot-and-pan drawer, e.g. ArciTech, nominal length (NL) 500 / 550 mm or for InnoTech Atira, nominal length (NL) 470 / 520 mm
- ▶ For cabinet width 450 mm or 500 mm
- ▶ Capacity 32 litres
- ▶ Installed height 310 mm as from upper edge of drawer bottom panel
- ▶ Installed height from upper edge of cabinet bottom panel for AvanTech YOU 350mm for ArciTech / InnoTech Atira 340mm
- ▶ Fitted tray can be cut to size, dimensions for cutting to size: max. width 462 mm, max. depth 550 mm min. width 300 mm, min. depth 440 mm
- ▶ Fitted tray and lid in grey plastic, bin in anthracite plastic

Set comprises:

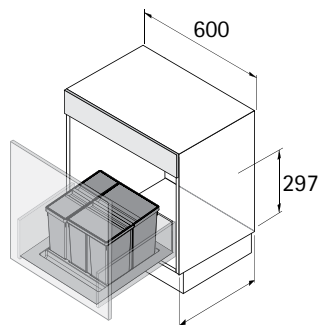
- ▶ 3 bins with lid + +
- ▶ 1 fitted tray

Order no.	PU
9 208 750	1 set

Waste collecting systems

- ▶ Built-in waste bins
- ▶ For AvanTech YOU / ArciTech / InnoTech Atira drawer systems

Bin.it Prime 600



AvanTech YOU / ArciTech =
NL 450 / 500
InnoTech Atira =
NL 420 / 470

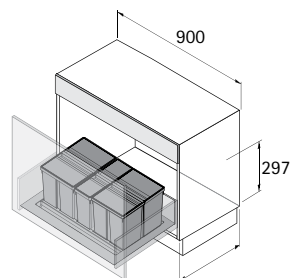
- ▶ For use in pot-and-pan drawer, e.g. for AvanTech YOU and ArciTech, nominal length (NL) 450 / 500 mm or for InnoTech Atira, nominal length (NL) 420 / 470 mm
- ▶ For cabinet width 600 mm
- ▶ Capacity 37 litres
- ▶ Installed height 297 mm as from upper edge of drawer bottom panel
- ▶ Fitted tray can be cut to size, dimensions for cutting to size:
max. width 540 mm, max. depth 490 mm
min. width 430 mm, min. depth 399 mm
- ▶ Fitted tray, bins and lid, anthracite plastic

Set comprises:

- ▶ 2 bins with lid 26l + 11l
- ▶ 1 fitted tray

Order no.	PU
9 220 394	1 set

Bin.it Prime 900



AvanTech YOU / ArciTech =
NL 450 / 500
InnoTech Atira =
NL 420 / 470

- ▶ For use in pot-and-pan drawer, e.g. for AvanTech YOU and ArciTech, nominal length (NL) 450 / 500 mm or for InnoTech Atira, nominal length (NL) 420 / 470 mm
- ▶ For cabinet width 900 mm
- ▶ Capacity 63 litres
- ▶ Installed height 297 mm as from upper edge of drawer bottom panel
- ▶ Fitted tray can be cut to size, dimensions for cutting to size:
max. width 840 mm, max. depth 490 mm
min. width 730 mm, min. depth 399 mm
- ▶ Fitted tray, bins and lid, anthracite plastic

Set comprises:

- ▶ 3 bins with lid 26l + 26l + 11l
- ▶ 1 fitted tray

Order no.	PU
9 220 395	1 set

Waste collecting systems



- ▶ Built-in waste bins
- ▶ Bin.it Duo I (with front connection) 300 - 400

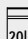

Bin.it Duo I Plastic 300 - 400

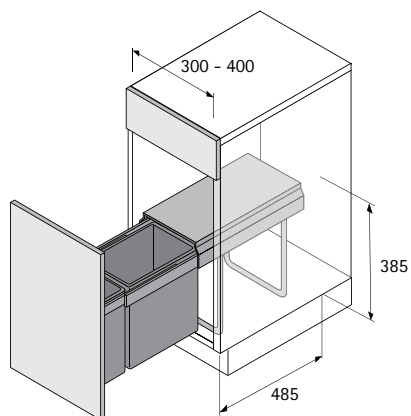


- ▶ Full extension runner
- ▶ For minimum cabinet width 300 mm - 400 mm
- ▶ Capacity 30 litres
- ▶ Quick and simple bottom panel installation
- ▶ With front connection
- ▶ Width 254 mm
- ▶ Depth 485 mm
- ▶ Height 385 mm

Set comprises:

- ▶ 2 bins with lid 20 l + 10 l
- ▶ 1 fitted frame with full extension runner including front connection

Article	Capacity	Width x depth x height mm	Order no.	PU
Bins with lid Plastic, grey	 + 	254 x 485 x 385	0 049 476	



- ▶ Built-in waste bins
- ▶ Bin.it Duo I (with front connection) 400

Bin.it Duo I Plastic min. 400

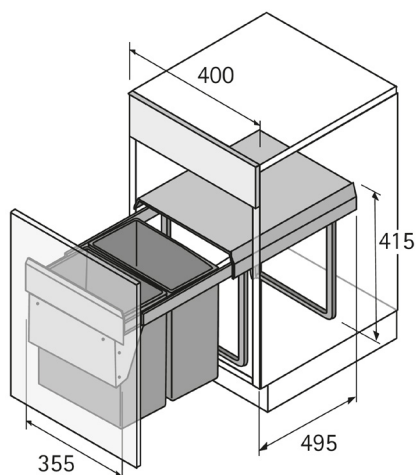


- ▶ Full extension runner
- ▶ For minimum cabinet width 400 mm
- ▶ Capacity 40 litres
- ▶ Quick and simple bottom panel installation
- ▶ With front connection
- ▶ Width 355 mm
- ▶ Depth 495 mm
- ▶ Height 415 mm

Set comprises:

- ▶ 2 bins 20 l each
- ▶ 1 fitted frame with full extension runner including front connection

Article	Capacity	Width x depth x height mm	Order no.	PU
Bins with lid Plastic, grey	 20l + 20l	355 x 495 x 415	9 291 589	



- ▶ Built-in waste bins
- ▶ Bin.it Duo I (with front connection) 400

Bin.it Duo I 400

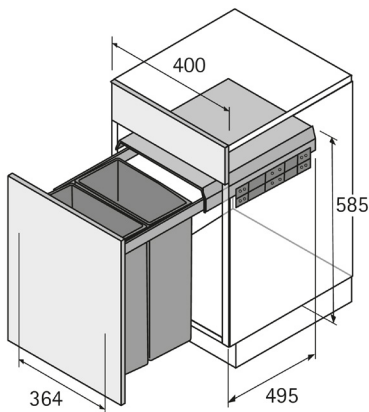


- ▶ Full extension runner
- ▶ For cabinet width of 400 mm
- ▶ Capacity 64 litres
- ▶ For mounting between cabinet body sides
- ▶ With front connection
- ▶ Width 364 mm
- ▶ Depth 495 mm
- ▶ Height 585 mm

Set comprises:

- ▶ 2 bins 32 l
- ▶ 1 fitted frame with full extension runner including front connection

Article	Capacity	Width x depth x height mm	Order no.	PU
Bins with lid Plastic	32l + 32l	364 x 495 x 585	9 291 592	



Waste collecting systems

- ▶ Built-in waste bins
- ▶ Bin.it Trio I


Bin.it Trio I 400, 1 x 20 l + 2 x 10 l

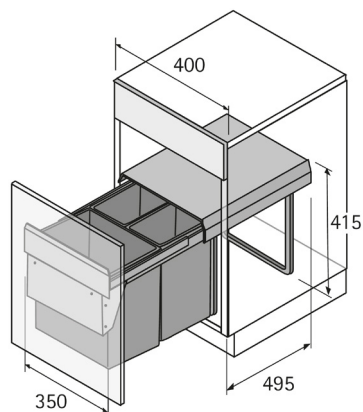


- ▶ For minimum cabinet width 400 mm
- ▶ Capacity 40 litres
- ▶ Quick and simple bottom panel installation
- ▶ With front connection
- ▶ Pull-out system with full extension runner
- ▶ Frame and pull-out, steel
- ▶ Bin and lid, grey plastic

Set comprises:

- ▶ 3 bins 20 l + 10 l + 10 l
- ▶ Complete fitting with full extension runner and lid

Article	Capacity	Width x depth x height mm	Order no.	PU
Bins with lid Plastic	 +  + 	350 x 495 x 415	9 291 590	

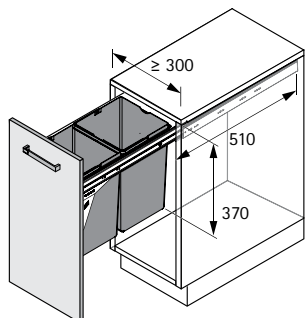


Waste collecting systems



- ▶ Waste collecting systems behind front panels
- ▶ Waste collecting system 300

Waste collecting system 300 / 2 x 15 litre



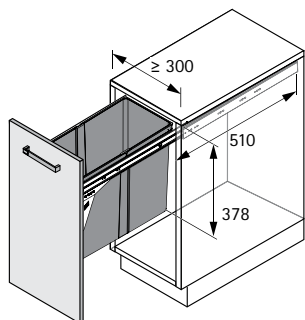
- ▶ For cabinet width min. 300 mm
- ▶ For mounting between carcass sides or under the carcass top
- ▶ With KA 4532 ball bearing runner incl. Silent System
- ▶ Capacity 30 litres
- ▶ Optional bracket for Door Pull option (order no. 9 237 957) to be ordered separately. (See page 13)
- ▶ System 300 also available as Handle Pull option (behind hinged doors)

- ▶ Frame and pull-out, steel grey
 - ▶ Bins, plastic grey
- Set comprises:
- ▶ 1 frame with full extension runner
 - ▶ 2 bins

Order no.	PU
9 237 953	1 set

Above image depicts Door Pull option

Waste collecting system 300 / 1 x 30 litre



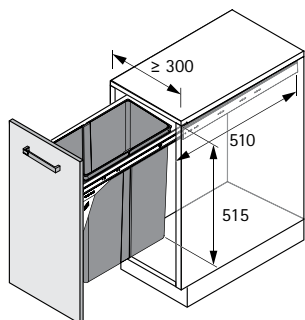
- ▶ For cabinet width min. 300 mm
- ▶ For mounting between carcass sides or under the carcass top
- ▶ With KA 4532 ball bearing runner incl. Silent System
- ▶ Capacity 30 litres
- ▶ Optional bracket for Door Pull option (order no. 9 237 957) to be ordered separately. (See page 13)
- ▶ System 300 also available as Handle Pull option (behind hinged doors)

- ▶ Frame and pull-out, steel grey
 - ▶ Bin, plastic grey
- Set comprises:
- ▶ 1 frame with full extension runner
 - ▶ 1 bin

Order no.	PU
9 237 954	1 set

Above image depicts Door Pull option

Waste collecting system 300 / 1 x 40 litre



- ▶ For cabinet width min. 300 mm
- ▶ For mounting between carcass sides or under the carcass top
- ▶ With KA 4532 ball bearing runner incl. Silent System
- ▶ Capacity 40 litres
- ▶ Optional bracket for Door Pull option (order no. 9 237 957) to be ordered separately. (See page 13)
- ▶ System 300 also available as Handle Pull option (behind hinged doors)

- ▶ Frame and pull-out, steel grey
 - ▶ Bin, plastic grey
- Set comprises:
- ▶ 1 frame with full extension runner
 - ▶ 1 bin

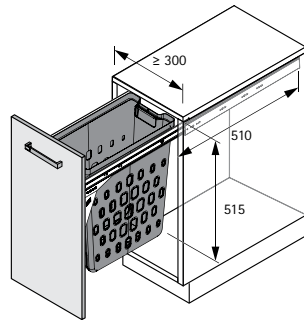
Order no.	PU
9 237 955	1 set

Above image depicts Door Pull option

Waste collecting systems

- ▶ Waste collecting systems behind front panels
- ▶ Waste collecting system 300

Waste collecting system 300 / laundry basket 40 litre



- ▶ For cabinet width min. 300 mm
- ▶ For mounting between carcass sides or under the carcass top
- ▶ With KA 4532 ball bearing runner incl. Silent System
- ▶ Capacity 40 litres
- ▶ Optional bracket for Door Pull option (order no. 9 237 957) to be ordered separately. (See page 13)
- ▶ System 300 also available as Handle Pull option (behind hinged doors)
- ▶ Frame and pull-out, steel grey
- ▶ Laundry basket, plastic white

Set comprises:

- ▶ 1 frame with full extension runner
- ▶ 1 laundry basket

Order no.	PU
9 237 956	1 set

Above image depicts Door Pull option

Front bracket for waste collecting system 300



- ▶ Optional door mounting bracket
- ▶ Steel grey

Order no.	PU
9 237 957	1 ea.

- ▶ Waste collecting systems behind hinged doors
- ▶ Bin.it Classic

Bin.it Classic, 11 litre, white

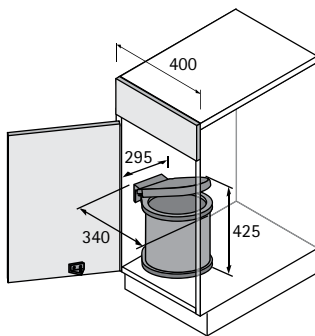


- ▶ For minimum cabinet width 400 mm
- ▶ Capacity 11 litres
- ▶ Can be installed on the left or right
- ▶ Width 295 mm
- ▶ Depth 285 mm
- ▶ Height 313 mm
- ▶ Insert, plastic

Set comprises:

- ▶ 1 round bin 11 l with lid
- ▶ 1 swivel mechanism

Article	Width x depth x height mm	Order no.	PU
Plastic insert / white 11 litre bin	295 x 285 x 313	9 291 585	1 set



Bin.it Classic, 13 litre, aluminium look / black plastic

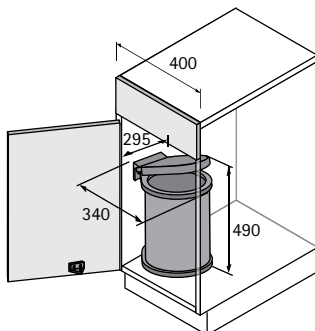


- ▶ For minimum cabinet width 400 mm
- ▶ Capacity 13 litres
- ▶ Can be installed on the left or right
- ▶ Width 295 mm
- ▶ Depth 285 mm
- ▶ Height 363 mm
- ▶ Insert, plastic

Set comprises:

- ▶ 1 round bin 13 l with lid
- ▶ 1 swivel mechanism

Article	Width x depth x height mm	Order no.	PU
Plastic insert / aluminium look / black plastic 13 litre bin	295 x 285 x 363	9 291 586	1 set



- ▶ Waste collecting systems behind hinged doors
- ▶ Bin.it Classic

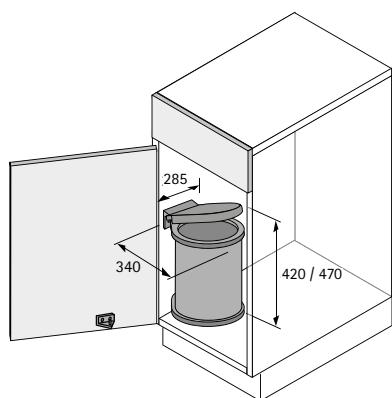
Bin.it Classic



- ▶ For minimum cabinet width 400 mm
- ▶ Capacity 11 / 13 litres
- ▶ Can be installed on the left or right
- ▶ Insert, plastic

Set comprises:

- ▶ 1 round bin with lid
- ▶ 1 swivel mechanism



Article	Width x depth x height mm	Order no.	PU
1 Silver lacquered / black plastic 11 litre bin	340 x 285 x 420*	0 048 936	1 set
2 White lacquered / white plastic 13 litre bin	340 x 285 x 470*	0 048 935	1 set

* lid in open position

Waste collecting systems



- ▶ Waste collecting systems behind hinged doors
- ▶ Bin.it Single

Bin.it Single II - 300

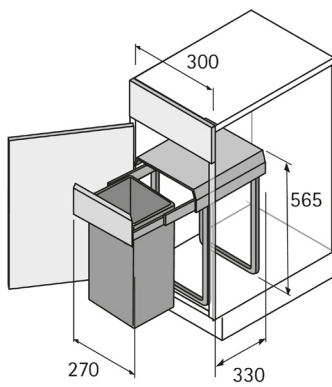


- ▶ For minimum cabinet width 300 mm
- ▶ Capacity 32 litres
- ▶ Quick and simple bottom panel installation
- ▶ Pull-out system with full extension runner
- ▶ Frame and pull-out, steel
- ▶ Bin and lid, plastic grey

Set comprises:

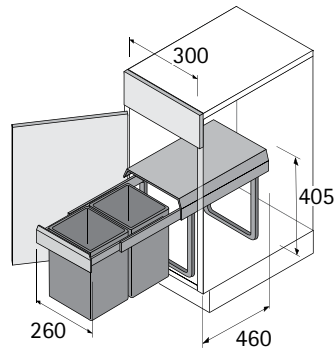
- ▶ 1 bin 32 l
- ▶ Complete fitting with full extension runner and lid

Article	Width x depth x height mm	Order no.	PU
Bin and lid / grey	270 x 330 x 565	9 291 588	1 set



- ▶ Built-in waste bins
- ▶ Bin.it Duo II 300

Bin.it Duo II 300



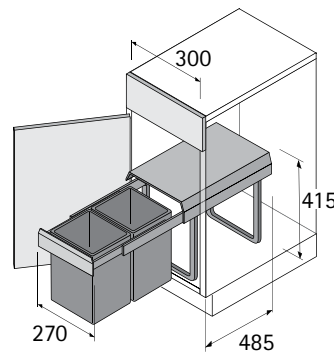
- ▶ For minimum cabinet width 300 mm
- ▶ Capacity 30 litres
- ▶ Quick and simple bottom panel installation
- ▶ Pull-out system with full extension runner
- ▶ Frame and pull-out, steel
- ▶ Bins and lid, grey plastic

Set comprises:

- ▶ 2 bins 15 l each
- ▶ Complete fitting with full extension runner and lid

Article	Capacity	Width x depth x height mm	Order no.	PU
Bins with lid Plastic, grey	+	260 x 460 x 405	9 132 343	

Bin.it Duo II 300



- ▶ For minimum cabinet width 300 mm
- ▶ Quick and simple bottom panel installation
- ▶ Pull-out system with full extension runner
- ▶ Frame and pull-out, steel
- ▶ Lid, plastic

Set comprises:

- ▶ 2 bins 10 l + 20 l
- ▶ Complete fitting with full extension runner and lid

Article	Capacity	Width x depth x height mm	Order no.	PU
Bins with lid Plastic	+	270 x 485 x 415	9 291 587	

Waste collecting systems

- ▶ Built-in waste bins
- ▶ Bin.it Duo II 400

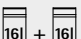
Bin.it Duo II 400



- ▶ For minimum cabinet width 400 mm
- ▶ Quick and simple bottom panel installation
- ▶ Pull-out system with full extension runner
- ▶ Frame and pull-out, steel
- ▶ Lid, plastic

Set comprises:

- ▶ 2 bins 16 l each
- ▶ Complete fitting with full extension runner and lid

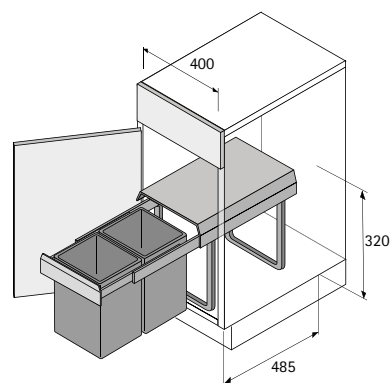
Article	Capacity	Width x depth x height mm	Order no.	PU
Stainless steel bins / black plastic lid	 + 	338 x 485 x 320	0 049 473	1 set
Bins with lid Plastic, grey	 + 	338 x 485 x 320	9 242 502	1 set



- ▶ For minimum cabinet width 400 mm
- ▶ Quick and simple bottom panel installation
- ▶ Pull-out system with full extension runner
- ▶ Frame and pull-out, steel
- ▶ Lid, plastic

Set comprises:

- ▶ 2 bins 16 l each
- ▶ Complete fitting with full extension runner and lid



- ▶ Built-in waste bins
- ▶ Bin.it Duo II 400

Bin.it Duo II - 400

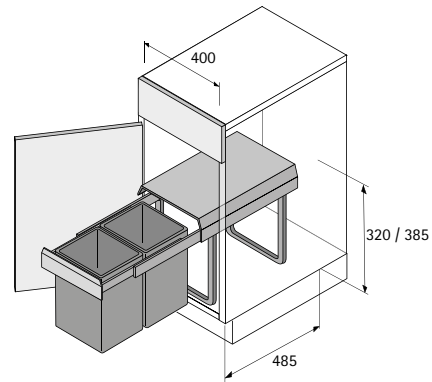


- ▶ For minimum cabinet width 400 mm
- ▶ Quick and simple bottom panel installation
- ▶ Pull-out system with full extension runner
- ▶ Frame and pull-out, steel
- ▶ Lid, plastic

Set comprises:

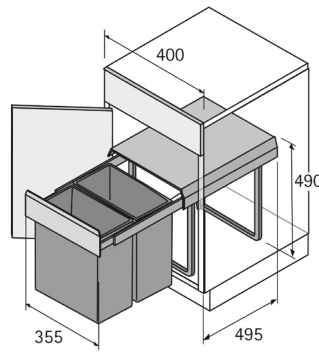
- ▶ 2 bins
- ▶ Complete fitting with full extension runner and lid

Article	Capacity	Width x depth x height mm	Order no.	PU
1 Stainless steel bin / black plastic lid	20l + 20l	338 x 485 x 385	0 049 475	1 set
2 Bins with lid Plastic, grey	20l + 20l	338 x 485 x 385	0 049 474	1 set



- ▶ Built-in waste bins
- ▶ Bin.it Duo II

Bin.it Duo II 400



- ▶ For minimum cabinet width 400 mm
- ▶ Quick and simple bottom panel installation
- ▶ Pull-out system with full extension runner
- ▶ Frame and pull-out, steel
- ▶ Lid, plastic

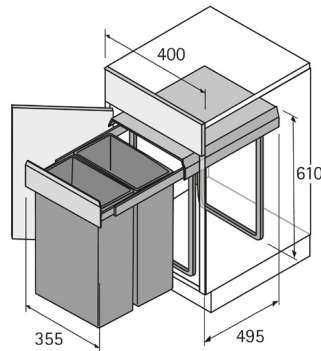
Set comprises:

- ▶ 2 bins 26 l each
- ▶ Complete fitting with full extension runner and lid

Article	Capacity	Width x depth x height mm	Order no.	PU
Bins with lid Plastic	+	355 x 495 x 490	9 291 591	

- ▶ Built-in waste bins
- ▶ Bin.it Duo II

Bin.it Duo II 400



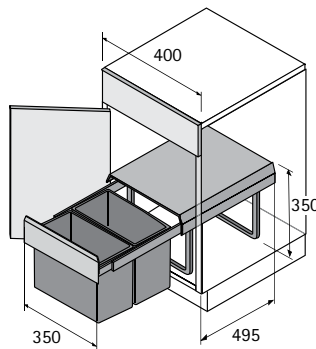
- ▶ For minimum cabinet width 400 mm
- ▶ Quick and simple bottom panel installation
- ▶ Pull-out system with full extension runner
- ▶ Frame and pull-out, steel
- ▶ Lid, plastic

Set comprises:

- ▶ 2 bins 32 l each
- ▶ Complete fitting with full extension runner and lid

Article	Capacity	Width x depth x height mm	Order no.	PU
Bins with lid Plastic	+	355 x 495 x 610	9 291 593	

Bin.it Duo II 400



- ▶ For minimum cabinet width 400 mm
- ▶ Quick and simple bottom panel installation
- ▶ Pull-out system with full extension runner
- ▶ Frame and pull-out, steel
- ▶ Lid, plastic

Set comprises:

- ▶ 2 bins 16 l each
- ▶ Complete fitting with full extension runner and lid

Article	Capacity	Width x depth x height mm	Order no.	PU
Bins with lid Plastic	+	350 x 495 x 350	9 298 710	

Waste collecting systems

- ▶ Waste collecting systems behind hinged doors
- ▶ Bin.it Space & Drop

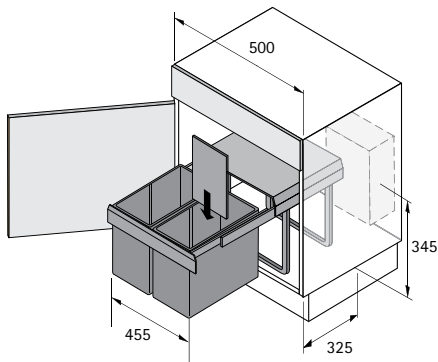
Bin.it Space



- ▶ For minimum cabinet width 500 mm
- ▶ Capacity 30 litres
- ▶ Quick and simple bottom panel installation
- ▶ Pull-out system with full extension runner
- ▶ Optional cross partition (order no. 9 080 021) permits 3 and 4-fold separation
- ▶ The shallow installed depth provides space for U bend, water connections and built-under appliances
- ▶ Frame and pull-out, powder coated, silver
- ▶ Bins and lid, plastic grey

Set comprises:

- ▶ 2 bins 15 l + 15 l
- ▶ 1 fitting frame with full extension runner and lid



Article	Width x depth x height mm	Order no.	PU
Bin and lid / grey	455 x 325 x 345	9 079 926	1 set
Cross partition		9 080 021	1 ea.

Bin.it Drop, 13 l



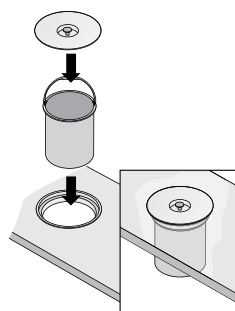
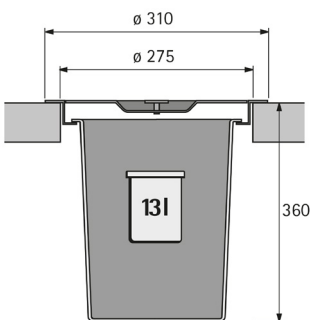
- ▶ Simple and convenient waste disposal right there where it is produced
- ▶ Ergonomic handling
- ▶ Recessed into the worktop
- ▶ Simple installation in the kitchen worktop
- ▶ Only the stainless steel lid and the stainless steel ring remain visible
- ▶ Stainless steel lid closes tightly to prevent odours escaping
- ▶ Detachable inner bin

Set comprises:

Set, 13 litres

- ▶ 1 lid and ring of stainless steel
- ▶ 1 soft rubber ring
- ▶ 1 inner bin, plastic, with metal handle

Order no.	PU
9 295 526	1 set





Bin.it Duo I & Duo II

For waste collecting system	Replacement bin / lid	Width x depth x height mm	Order no.	PU
Bin.it Duo I	10 l, grey plastic	225 x 150 x 350	9 079 998	1 ea.
Bin.it Duo I	20 l, grey plastic	225 x 305 x 350	9 080 004	1 ea.
Bin.it Duo II + Bin.it Single II	32 l, grey plastic	227 x 305 x 530	9 291 594	1 ea.
Bin.it Duo II	26 l, grey plastic	227 x 305 x 430	9 300 922	1 ea.



Technik für Möbel

