



Always new, always different:
ArciTech drawer system



Technik für Möbel

**Hettich**

Your contact:

Hettich Australia

1 Herbert Place
Smithfield 2164, Sydney

Phone: (02) 9616 7700

Free Phone: 1800 687 789

Fax: (02) 9616 7778

Free Fax: 1800 150 129

sales@hettich.com.au

hettich.com.au

Thinking beyond tomorrow: customised design options, huge load bearing capacity, tremendous cost effectiveness. The ArciTech drawer system shows itself from its best side. Based on only one drawer side profile, numerous variations in design and functionality can be produced easily and efficiently. Just the way you want to. But this is the best of it: Even carrying loads of up to 80 kilograms, the Actro runner always full access and gently cushioned closure. Gentle. Strong. Flexible.



Quiet and secure running action guaranteed: The Actro drawer runner with its unique prism principle and synchronous control system also makes ArciTech strong enough for large, heavy drawers – as well as loading capacities of up to 80 kilograms.



Effortlessly handleless: The convenient Push to open Silent function opens the drawer in response to a light press while closing it again in a gently controlled action.



Design consistency throughout a furniture range for widely differing demands on design and function: This is only possible with ArciTech. The broad standard platform based lineup provides solutions for every application.



Always with stunning effect. Always cost-efficient: The platform concept gives you efficient and varied design options on the drawer side profile. This way, for example, designer profiles let you create unmistakable combinations.

ArciTech double walled drawer system

► Summary



Everything in one document. Always the right packaging concept 6 - 9



Powder coated steel, silver
Range summary
► Set packaging / bulk packaging 10 - 11



Powder coated steel, white
Range summary
► Set packaging / bulk packaging 72 - 73



Powder coated steel, anthracite
Range summary
► Set packaging 132 - 133



Accessories
► Designer profiles 190 - 193
► Catch for internal drawers 194 - 195
► OrgaTray 260 / OrgaStore 260 - interior organisation
for (internal) drawers / pot-and-pan drawers 196 - 205



► Actro drawer runner 206 - 209
► Waste collecting systems - Summary 210
► Assembly machinery - Summary 217

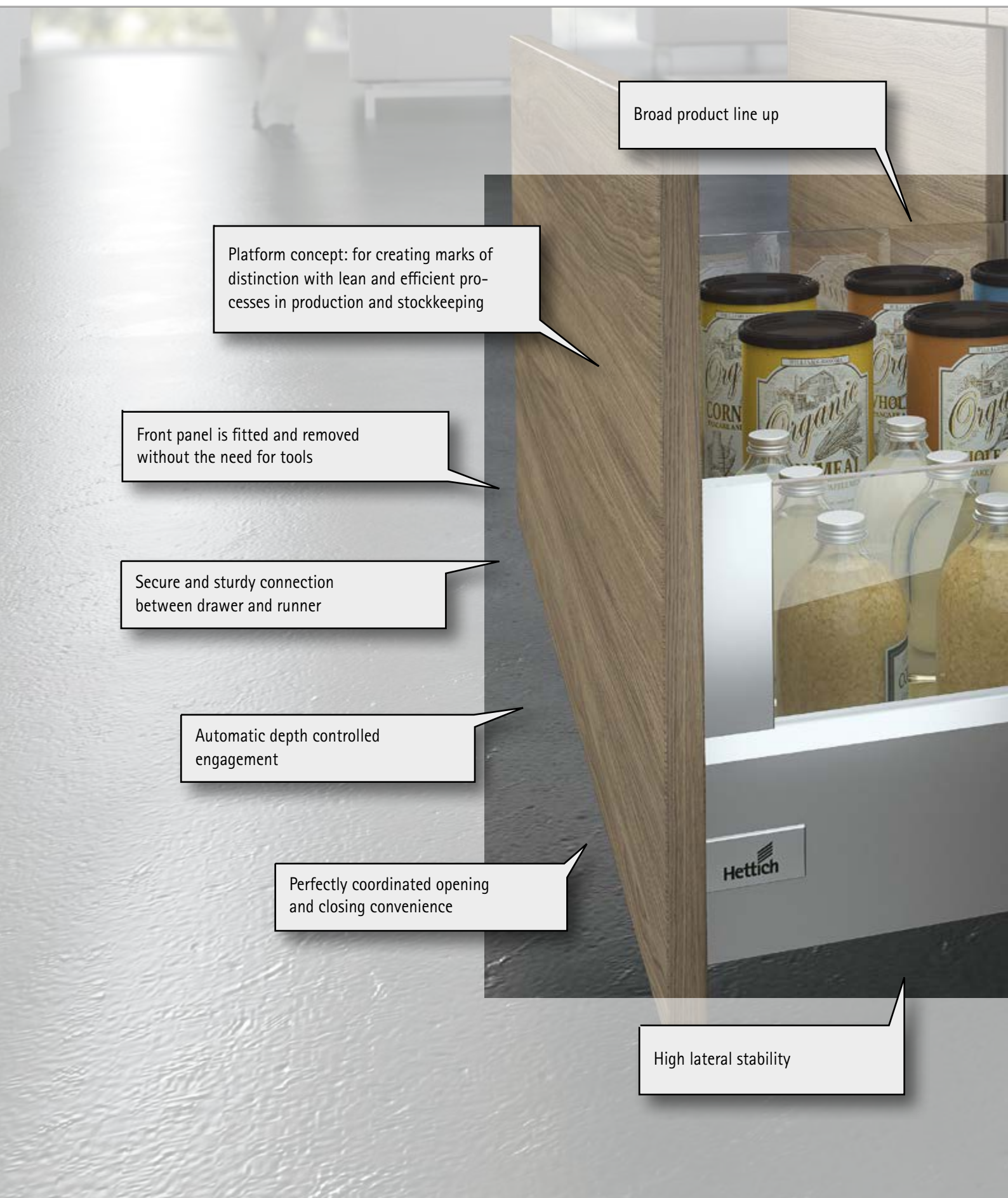


Technical Information
► Planning dimensions 224 - 247
► Assembly / adjustment / removal 248 - 261
► Quality criteria 262



Order number index 263 - 269

A wealth of benefits, a wealth of potential for the future: ArciTech



Broad product line up

Platform concept: for creating marks of distinction with lean and efficient processes in production and stockkeeping

Front panel is fitted and removed without the need for tools

Secure and sturdy connection between drawer and runner

Automatic depth controlled engagement

Perfectly coordinated opening and closing convenience

High lateral stability



Individualisation of internal panels and DesignSides

TopSides, DesignSides and railings can be combined with the same drawer side profile

Easy to change from railing to TopSide or DesignSide

One assembly direction for front and rear panel for efficient installation

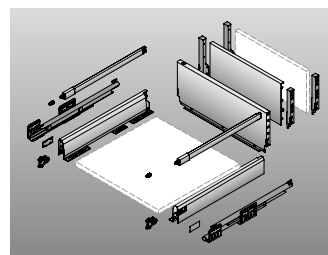
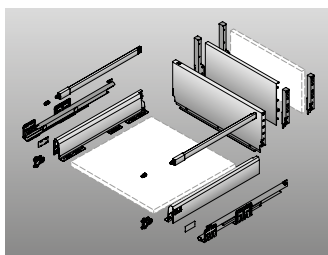
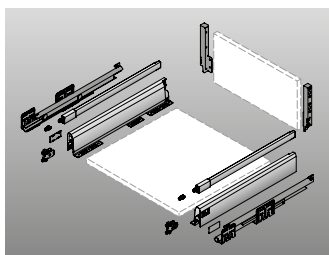
3 drawer side profile heights, 7 rear panel heights, add on side elements in 2 different heights

Exceptional stability – loading capacity up to 80 kg

Easy and smooth running action

ArciTech double walled drawer system

- ▶ Everything in one document. Always the right packaging concept.
- ▶ Summary



■ All inclusive sets

- ▶ Easy to order in just two steps
- ▶ Ready to assemble set for wood or aluminium rear panel

■ Flexible sets

- ▶ Easy to order in four steps
- ▶ Take advantage of economic benefits provided by the steel rear panel for standard carcass widths

■ Bulk pack

- ▶ Perfect for high order volumes
- ▶ Ideal for use in automatic production processes



ArciTech double walled drawer system

- ▶ Everything in one document. Always the right packaging concept.
- ▶ All inclusive sets

All inclusive sets

All inclusive sets not only simplify assembly but make ordering easy too: in just **two steps** and with only two article numbers, you get a **ready to assemble set** for wooden or aluminium rear panel.



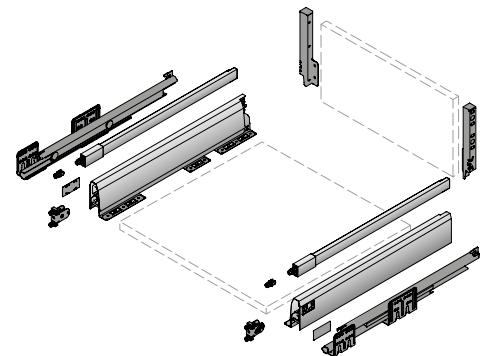
All inclusive sets

Example:

Pot-and-pan drawer in silver with lengthwise railing, system height 186 mm, drawer side profile height 94 mm, nominal length 500 mm, wooden rear panel, carcase width 600 mm, Actro 40 kg with Silent System for carcase side thickness of 16 mm.

1. Select drawer / pull-out type, including drawer side profile height, system height and nominal lengths as well as surface colour

2. Type of runner



1. Pot-and-pan drawer set

Package contents:

- ▶ 1 drawer side profile, left / right
- ▶ 2 knock in front connectors for drawer side profile
- ▶ 2 plastic cover caps with Hettich logo
- ▶ 1 rear panel connector, left / right
- ▶ 1 lengthwise railing, left / right, and 2 knock in front connectors for lengthwise railing
- ▶ Fixing material

Nominal length mm	Order no.	PU
270	9 150 686	1 set
300	9 150 687	1 set
350	9 150 688	1 set
400	9 150 398	1 set
450	9 150 702	1 set
500	9 150 703	1 set
550	9 150 704	1 set
650	9 150 705	1 set

2. Actro drawer runner

Package contents:

- ▶ 1 Actro left / right
- ▶ Fixing material



Nominal length mm	Order no.	PU
270	9 240 857	1 set
300	9 240 869	1 set
350	9 240 870	1 set
400	9 240 871	1 set
450	9 240 872	1 set
500	9 240 873	1 set
550	9 240 874	1 set

ArciTech double walled drawer system

- ▶ Everything in one document. Always the right packaging concept.
- ▶ Flexible sets

Flexible sets

Easy to order, easy to assemble and huge flexibility: the cost effective drawer solution in just **four steps**. Take advantage of the economic benefits that come with the steel rear panel for standard carcase widths.

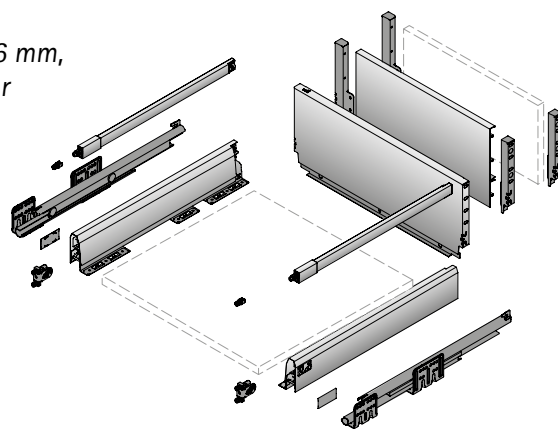


Flexible sets

Example:

Pot-and-pan drawer in silver with lengthwise railing, system height 186 mm, drawer side profile height 94 mm, nominal length 500 mm, wooden rear panel, carcase width 600 mm, Actro 40 kg with Silent System for carcase side thickness of 16 mm.

1. Select the drawer side profile, including height, nominal length and surface colour
2. Rear panel connectors
3. Side element for pot-and-pan drawers
4. Type of runner



1. Drawer side profile set

Package contents:

- ▶ 1 drawer side profile, left and right
- ▶ 2 knock in front connectors for drawer side profile
- ▶ 2 plastic cover caps with Hettich logo
- ▶ Fixing material



Nominal length mm	Order no.	PU
270	9 150 613	1 set
300	9 150 614	1 set
350	9 150 615	1 set
400	9 150 616	1 set
450	9 150 618	1 set
500	9 150 619	1 set
550	9 150 620	1 set
650	9 150 621	1 set

2. Rear panel connector set

Package contents:

- ▶ 1 rear panel connector, left and right
- ▶ Fixing material



Nominal height mm	Order no.	PU
186	9 150 643	1 set

3. Lengthwise railing set

Package contents:

- ▶ 1 lengthwise railing, left and right
- ▶ 2 knock in front connectors for lengthwise railing



Nominal length mm	Order no.	PU
270	9 150 647	1 set
300	9 150 648	1 set
350	9 150 649	1 set
400	9 150 650	1 set
450	9 150 652	1 set
500	9 150 653	1 set
550	9 150 654	1 set
650	9 150 656	1 set

4. Actro drawer runner

Package contents:

- ▶ 1 Actro left and right
- ▶ Fixing material



Nominal length mm	Order no.	PU
270	9 240 857	1 set
300	9 240 869	1 set
350	9 240 870	1 set
400	9 240 871	1 set
450	9 240 872	1 set
500	9 240 873	1 set
550	9 240 874	1 set

ArciTech double walled drawer system

- ▶ Everything in one document. Always the right packaging concept.
- ▶ Bulk pack

Bulk pack

Bulk packs are the ideal option for high order volumes. Simply select drawer or pull-out type and order the parts from the component list.

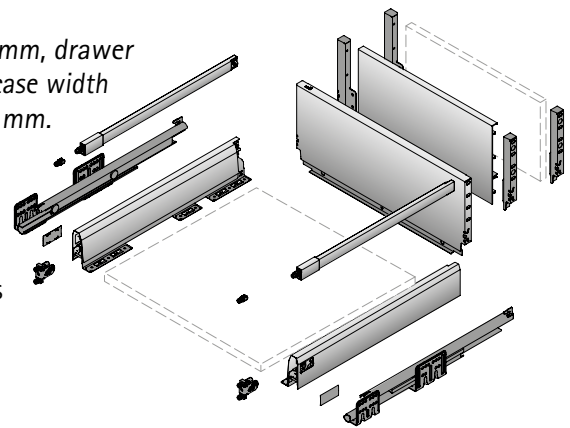


Bulk pack components

Example:

Pot-and-pan drawer in silver with lengthwise railing, system height 186 mm, drawer side profile height 94 mm, nominal length 500 mm, wooden rear panel, carcase width 600 mm, Actro 40 kg with Silent System for carcase side thickness of 16 mm.

1. Drawer side profile
2. Drawer front connector for drawer side profile
3. Cover cap
4. Drawer front connector for side element
5. Side element for pot-and-pan drawers
6. Rear panel connectors
7. Type of runner



1. Drawer side profile



Nominal length mm	Order no.		PU
	left	right	
270	9 121 213	9 121 214	15 ea.
300	9 121 215	9 121 216	15 ea.
350	9 121 217	9 121 218	15 ea.
400	9 121 219	9 121 220	15 ea.
450	9 121 221	9 121 222	15 ea.
500	9 121 223	9 121 224	15 ea.
550	9 121 225	9 121 226	15 ea.
650	9 121 227	9 121 228	15 ea.

2. Drawer front connector for drawer side profile

- ▶ Steel / plastic



Mounting option	Order no.	PU
for screwing on	9 123 011	1/150 each
for knocking in	9 123 010	1/150 each

3. Cover cap

- ▶ Plastic
- ▶ Cover cap with customised imprint available on request



Finish	Order no.	PU
anthracite with Hettich logo	9 123 005	1/300 each
anthracite	9 123 000	1/300 each
aluminium look with Hettich logo	9 123 009	1/300 each
aluminium look	9 123 004	1/300 each
chrome look with Hettich logo	9 123 008	1/300 each
chrome look	9 123 003	1/300 each

4. Drawer front connector for lengthwise railing

- ▶ Plastic



Mounting option	Order no.	PU
for screwing on	9 127 011	1/300 each
for knocking in	9 127 000	1/300 each

5. Lengthwise railing



Nominal length mm	Order no.		PU
	left	right	
350	9 121 973	9 121 974	30 ea.
400	9 121 983	9 121 984	30 ea.
450	9 121 993	9 121 994	30 ea.
500	9 122 003	9 122 004	30 ea.
550	9 122 013	9 122 014	30 ea.

6. Rear panel connector

- ▶ For wooden or Aluminium rear panel



Nominal height mm	Order no.		PU
	left	right	
186	9 121 843	9 121 844	30 ea.

7. Actro drawer runner



Nominal length mm	Order no.		PU
	left	right	
350	9 238 764	9 238 765	15 ea.
400	9 238 766	9 238 768	15 ea.
450	9 238 773	9 238 774	15 ea.
500	9 238 777	9 238 778	15 ea.

ArciTech double walled drawer system

- ▶ Range summary – set pack / bulk packaging
- ▶ Powder coated steel, silver



Drawer, height 78 mm

12 - 13



Drawer, height 94 mm

14 - 17



Internal drawer, height 94 mm

14 - 17



Drawer, height 126 mm

18 - 20



Internal drawer, height 126 mm

18 - 20



**Pot-and-pan drawer, height 186 mm
Drawer side profile height 94 mm**

22 - 27



**Internal pot-and-pan drawer, height 186 mm
Drawer side profile height 94 mm**

22 - 27



**Pot-and-pan drawer, height 186 mm
Drawer side profile height 126 mm**

28 - 30



**Internal pot-and-pan drawer, height 186 mm
Drawer side profile height 126 mm**

28 - 30



**Pot-and-pan drawer, height 218 mm
Drawer side profile height 94 mm**

32 - 35



**Internal pot-and-pan drawer, height 218 mm
Drawer side profile height 94 mm**

32 - 35



**Pot-and-pan drawer, height 218 mm
Drawer side profile height 126 mm**

36 - 39

ArciTech double walled drawer system



- ▶ Range summary – set pack / bulk packaging
- ▶ Powder coated steel, silver



Internal pot-and-pan drawer, height 218 mm
Drawer side profile height 126 mm
36 - 39



Pot-and-pan drawer, height 250 mm
Drawer side profile height 94 mm
40 - 41



Pot-and-pan drawer, height 250 mm
Drawer side profile height 126 mm
42 - 44



Pot-and-pan drawer, height 282 mm
Drawer side profile height 94 mm
46 - 47



Pot-and-pan drawer, height 282 mm
Drawer side profile height 126 mm
48 - 49



Interior organisation for drawers /
internal drawers, range summary
51



Interior organisation for pot-and-pan drawers /
internal pot-and-pan drawers, range summary
51



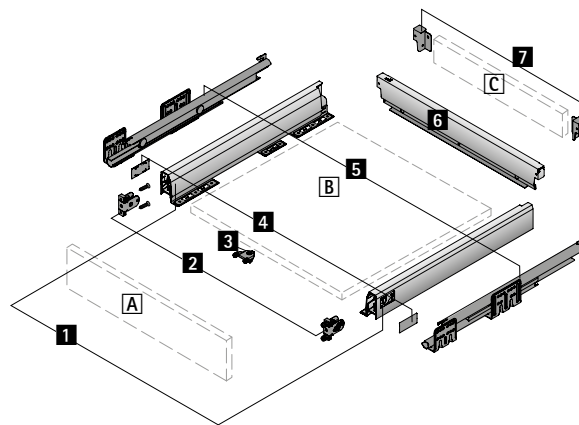
Solutions for drawers / pot-and-pan drawers
with bottom cutout, range summary
67

ArciTech double walled drawer system

- ▶ Drawer height 78 mm
- ▶ Powder coated steel, silver



Exploded diagram



Components

- 1** Drawer side profile, left and right
- 2** Drawer front connector for drawer side profile, 2 each
- 3** Front stabiliser
- 4** Cover cap, 2 each
- 5** Actro drawer runner, left and right, see page 206 - 209
- 6** Steel rear panel

Alternatively:

- C** Wooden rear panel and
- 7** Rear panel connector, left and right
- A** Front panel
- B** Bottom panel (material thickness 16 mm)
- C** Wooden rear panel (material thickness 16 mm)

Advice

- ▶ For technical information, see pages 224, 248 - 261
- ▶ Actro drawer runner, see page 206 - 209

- ▶ Drawer height **78 mm**
- ▶ Powder coated steel, **silver**

All inclusive sets

Drawer set

- ▶ E.g. for such applications as under-oven drawer

Set comprises:

- ▶ **1** 1 drawer side profile, left and right
- ▶ **2** 2 knock in drawer front connectors
- ▶ **4** 2 cover caps, anthracite plastic with Hettich logo
- ▶ **7** 1 rear panel connector, left and right
- ▶ Fixing material

Note: Please order your Actro runner separately, see page 206 - 209

Nominal length mm	Order no.	PU
500	9 234 494	1 set

Flexible sets

Drawer side profile set

- ▶ E.g. for such applications as under-oven drawer

Set comprises:

- ▶ **1** 1 drawer side profile, left and right
- ▶ **2** 2 knock in drawer front connectors
- ▶ **4** 2 cover caps, anthracite plastic with Hettich logo
- ▶ Fixing material



Rear panel connector set

- ▶ For wooden rear panel

Set comprises:

- ▶ **7** 1 rear panel connector, left and right
- ▶ Fixing material



Nominal height mm	Order no.	PU
78	9 150 630	1 set

Nominal length mm	Order no.	PU
500	9 234 469	1 set

3 Front panel stabiliser

- ▶ For stabilising wide front panels
- ▶ Recommended for use with cabinets in a width of 600 mm and over
- ▶ Plastic, anthracite



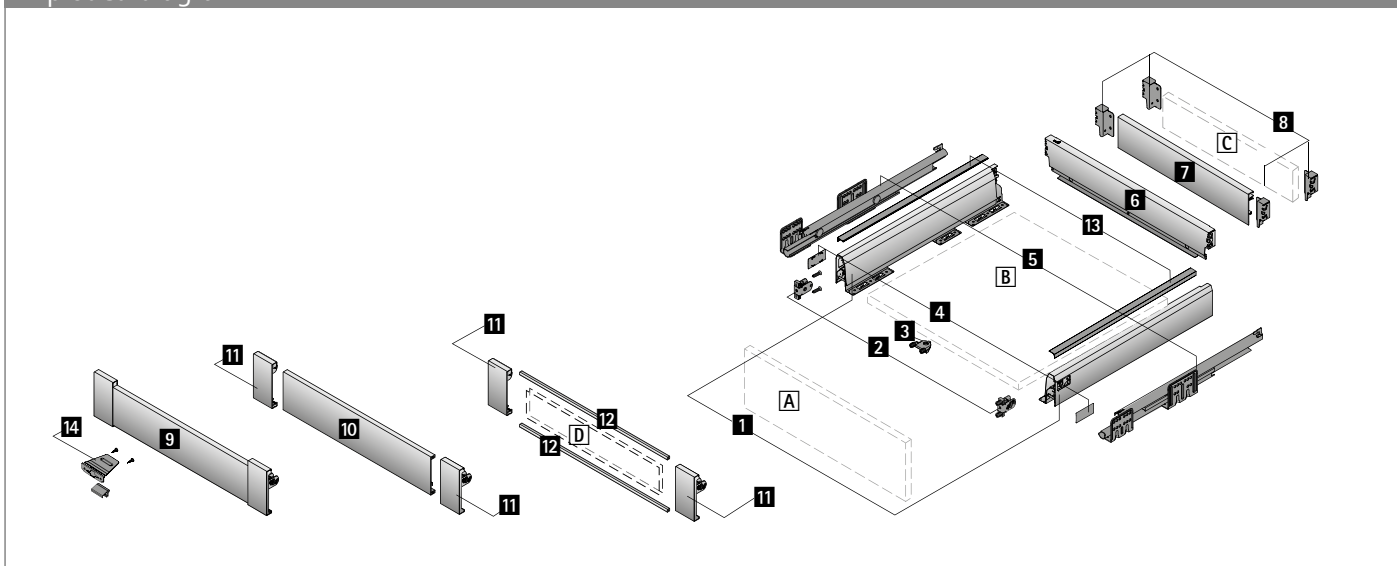
Order no.	PU
9 123 080	1/150 ea.

ArciTech double walled drawer system

- ▶ Drawer / internal drawer, height 94 mm
- ▶ Powder coated steel, silver



Exploded diagram



Components

- 1** Drawer side profile, left and right
- 2** Drawer front connector for drawer side profile, 2 each
- 3** Front stabiliser
- 4** Cover cap, 2 each
- 5** Actro drawer runner, left and right, see page 206 - 209
- 6** Steel rear panel

Alternatively:

- 7** Aluminium rear panel or **C** Wooden rear panel and
- 8** Rear panel connector, left and right
- 9** Front panel for internal drawer

Alternatively 1:

- 10** Aluminium front panel and
- 11** Connector for front panel

Alternatively 2:

- D** Front panel in any chosen material and
- 11** Connector for front panel and
- 12** Profile for front

Optional accessories:

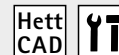
- 13** Designer-type profile, see page 190 - 193
- 14** Catch for internal front panel

- A** Front panel
- B** Bottom panel (material thickness 16 mm)
- C** Wooden rear panel (material thickness 16 mm)
- D** Front panel in any chosen material (material thickness 6 mm)

Advice

- ▶ For technical information, see pages 225 - 226, 248 - 261
- ▶ Actro drawer runner, see page 206 - 209

ArciTech double walled drawer system



- ▶ Drawer / internal drawer, **height 94 mm**
- ▶ Powder coated steel, **silver**

All inclusive sets

Drawer set

Set comprises:

- ▶ **1** 1 drawer side profile, left and right
- ▶ **2** 2 knock in drawer front connectors
- ▶ **4** 2 cover caps, anthracite plastic with Hettich logo
- ▶ **8** 1 rear panel connector, left and right
- ▶ Fixing material

Note: Please order your Actro runner separately, see page 206 - 209

Nominal length mm	Order no.	PU
270	9 150 678	1 set
300	9 150 679	1 set
350	9 150 680	1 set
400	9 150 681	1 set
450	9 150 682	1 set
500	9 150 683	1 set
550	9 150 684	1 set
650	9 150 685	1 set

Flexible sets

Drawer side profile set

Set comprises:

- ▶ **1** 1 drawer side profile, left and right
- ▶ **2** 2 knock in drawer front connectors
- ▶ **4** 2 cover caps, anthracite plastic with Hettich logo
- ▶ Fixing material



Rear panel connector set

- ▶ For wooden or **7** Aluminium rear panel

Set comprises:

- ▶ **8** 1 rear panel connector, left and right
- ▶ Fixing material



Nominal length mm	Order no.	PU
270	9 150 613	1 set
300	9 150 614	1 set
350	9 150 615	1 set
400	9 150 616	1 set
450	9 150 618	1 set
500	9 150 619	1 set
550	9 150 620	1 set
650	9 150 621	1 set

Nominal height mm	Order no.	PU
94	9 150 641	1 set

7 Aluminium rear panel

- ▶ For variable or standard cabinet body width
- ▶ For cutting to length
- ▶ Length 2000 mm
- ▶ Powder coated, silver
- ▶ Rear panel connector set must be ordered separately



Order no.	PU
9 192 200	1 ea.

3 Front panel stabiliser

- ▶ For stabilising wide and/or high front panels
- ▶ Recommended for use in cabinets in widths of 600 mm and over and / or front panel heights of 450 mm and over
- ▶ Plastic, anthracite



Order no.	PU
9 123 080	1/150 ea.

- ▶ Drawer / internal drawer, height 94 mm
- ▶ Powder coated steel, silver

Components

1 Drawer side profile



Nominal length mm	Order no. / Drawer side		PU
	left	right	
300	9 121 199	9 121 200	15 ea.
350	9 121 201	9 121 202	15 ea.
400	9 121 203	9 121 204	15 ea.
450	9 121 205	9 121 206	15 ea.
500	9 121 207	9 121 208	15 ea.
550	9 121 209	9 121 210	15 ea.

2 Drawer front connector for drawer side profile

- ▶ Steel / plastic



Mounting option	Order no.	PU
for screwing on	9 123 011	1/150 ea.
for knocking in	9 123 010	1/150 ea.

3 Front panel stabiliser

- ▶ For stabilising wide and/or high front panels
- ▶ Recommended for use in cabinets in widths of 600 mm and over and / or front panel heights of 450 mm and over
- ▶ Plastic, anthracite



Order no.	PU
9 123 080	1/150 ea.

4 Cover cap

- ▶ Plastic
- ▶ Cover cap with customised imprint available on request



Finish	Order no.	PU
Anthracite with Hettich logo	9 123 005	1/300 ea.
Anthracite	9 123 000	1/300 ea.
Chrome look with Hettich logo	9 123 008	1/300 ea.
Chrome look	9 123 003	1/300 ea.

7 Aluminium rear panel

- ▶ For variable or standard cabinet body width
- ▶ For cutting to length
- ▶ Length 2000 mm
- ▶ Powder coated, silver
- ▶ **8** Rear panel connectors must be ordered separately



Order no.	PU
9 192 200	1 ea.

8 Rear panel connector

- ▶ For wooden or **7** Aluminium rear panel



Nominal height mm	Order no. / Drawer side		PU
	left	right	
94	9 121 827	9 121 828	30 ea.

- ▶ Drawer / internal drawer, **height 94 mm**
- ▶ Powder coated steel, **silver**

Front panel for internal drawer

9 Front panel for internal drawer

- ▶ For standard cabinet body width
- ▶ With premounted connectors
- ▶ Powder coated steel, silver / anodised aluminium, silver



Cabinet body width mm	Order no.	PU
300	9 122 795	1/15 ea.
400	9 122 796	1/15 ea.
450	9 122 797	1/15 ea.
500	9 122 798	1/15 ea.
600	9 122 799	1/15 ea.
800	9 122 800	1/15 ea.
900	9 122 801	1/15 ea.
1000	9 122 802	1/15 ea.
1200	9 122 803	1/15 ea.

10 Aluminium front panel

- ▶ For variable or standard cabinet body width
- ▶ For cutting to length
- ▶ Length 2000 mm
- ▶ silver anodized
- ▶ **11** Connectors for the front panel must be ordered separately



Order no.	PU
9 192 204	1 ea.

11 Connector for front panel

- ▶ For combination with **10** Aluminium front or, when using a front panel in any chosen material, **12** Profile for front
- ▶ When using any chosen material with a total load of up to 60 kg



Set comprises:

- ▶ 1 connector for front panel, left and right

Order no.	PU
9 123 083	1/15 set

12 Profile for front

- ▶ For front panel in any chosen material
- ▶ For cutting to length, 2 profiles per front panel
- ▶ Length 2000 mm
- ▶ Aluminium, silver anodised
- ▶ **11** Connectors must be ordered separately



Order no.	PU
9 192 208	1 ea.

14 Catch for internal front panel

- ▶ For screwing on
- ▶ Plastic, grey



Set comprises:

- ▶ 1 catch
- ▶ 1 profile height increaser
- ▶ Fixing material

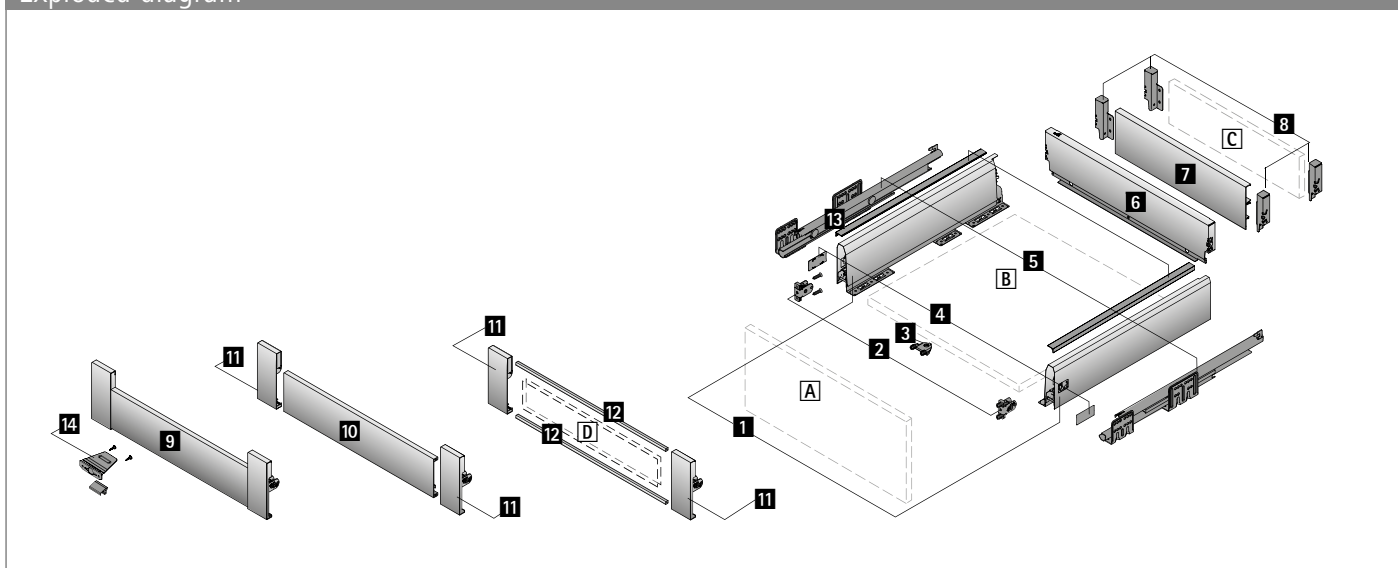
Order no.	PU
9 235 835	1 set

ArciTech double walled drawer system

- ▶ Drawer / internal drawer, height 126 mm
- ▶ Powder coated steel, silver



Exploded diagram



Components

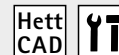
- 1** Drawer side profile, left and right
- 2** Drawer front connector for drawer side profile, 2 each
- 3** Front stabiliser
- 4** Cover cap, 2 each
- 5** Actro drawer runner, left and right, see page 206 - 209
- 6** Steel rear panel
- Alternatively:**
 - 7** Aluminium rear panel or **C** Wooden rear panel and
 - 8** Rear panel connector, left and right
- 9** Front panel for internal drawer
- Alternatively 1:**
 - 10** Aluminium front panel and
 - 11** Connector for front panel
- Alternatively 2:**
 - D** Front panel in any chosen material and
 - 11** Connector for front panel and
 - 12** Profile for front
- Optional accessories:**
 - 13** Designer-type profile, see page 190 - 193
 - 14** Catch for internal front panel

- A** Front panel
- B** Bottom panel (material thickness 16 mm)
- C** Wooden rear panel (material thickness 16 mm)
- D** Front panel in any chosen material (material thickness 6 mm)

Advice

- ▶ For technical information, see pages 227 - 228, 248 - 261
- ▶ Actro drawer runner, see page 206 - 209

ArciTech double walled drawer system



- ▶ Drawer / internal drawer, **height 126 mm**
- ▶ Powder coated steel, **silver**

All inclusive sets

Drawer set

Set comprises:

- ▶ **1** 1 drawer side profile, left and right
- ▶ **2** 2 knock in drawer front connectors
- ▶ **4** 2 cover caps, anthracite plastic with Hettich logo
- ▶ **8** 1 rear panel connector, left and right
- ▶ Fixing material

Note: Please order your Actro runner separately, see page 206 - 209

Nominal length mm	Order no.	PU
270	9 150 922	1 set
300	9 150 924	1 set
350	9 150 925	1 set
400	9 150 927	1 set
450	9 150 928	1 set
500	9 150 930	1 set
550	9 150 931	1 set
650	9 150 932	1 set

Flexible sets

Drawer side profile set

Set comprises:

- ▶ **1** 1 drawer side profile, left and right
- ▶ **2** 2 knock in drawer front connectors
- ▶ **4** 2 cover caps, anthracite plastic with Hettich logo
- ▶ Fixing material



Rear panel connector set

- ▶ For wooden or **7** Aluminium rear panel

Set comprises:

- ▶ **8** 1 rear panel connector, left and right
- ▶ Fixing material



Nominal length mm	Order no.	PU
270	9 150 622	1 set
300	9 150 623	1 set
350	9 150 624	1 set
400	9 150 625	1 set
450	9 150 626	1 set
500	9 150 627	1 set
550	9 150 628	1 set
650	9 150 629	1 set

Nominal height mm	Order no.	PU
126	9 150 642	1 set

7 Aluminium rear panel

- ▶ For variable or standard cabinet body width
- ▶ For cutting to length
- ▶ Length 2000 mm
- ▶ Powder coated, silver
- ▶ Rear panel connector set must be ordered separately



Order no.	PU
9 192 194	1 ea.

3 Front panel stabiliser

- ▶ For stabilising wide and/or high front panels
- ▶ Recommended for use in cabinets in widths of 600 mm and over and / or front panel heights of 450 mm and over
- ▶ Plastic, anthracite



Order no.	PU
9 123 080	1/150 ea.

- ▶ Drawer / internal drawer, height 126 mm
- ▶ Powder coated steel, silver

Front panel for internal drawer

10 Aluminium front panel

- ▶ For variable or standard cabinet body width
- ▶ For cutting to length
- ▶ Length 2000 mm
- ▶ silver anodized
- ▶ **11** Connectors for the front panel must be ordered separately



Order no.	PU
9 192 204	1 ea.

12 Profile for front

- ▶ For front panel in any chosen material
- ▶ For cutting to length, 2 profiles per front panel
- ▶ Length 2000 mm
- ▶ Aluminium, silver anodised
- ▶ **11** Connectors must be ordered separately



Order no.	PU
9 192 208	1 ea.

11 Connector for front panel

- ▶ For combination with **10** Aluminium front or, when using a front panel in any chosen material, **12** Profile for front
- ▶ When using any chosen material with a total load of up to 60 kg



Set comprises:

- ▶ 1 connector for front panel, left and right

Order no.	PU
9 123 086	1/15 set

14 Catch for internal front panel

- ▶ For screwing on
- ▶ Plastic, grey



Set comprises:

- ▶ 1 catch
- ▶ 1 profile height increaser
- ▶ Fixing material

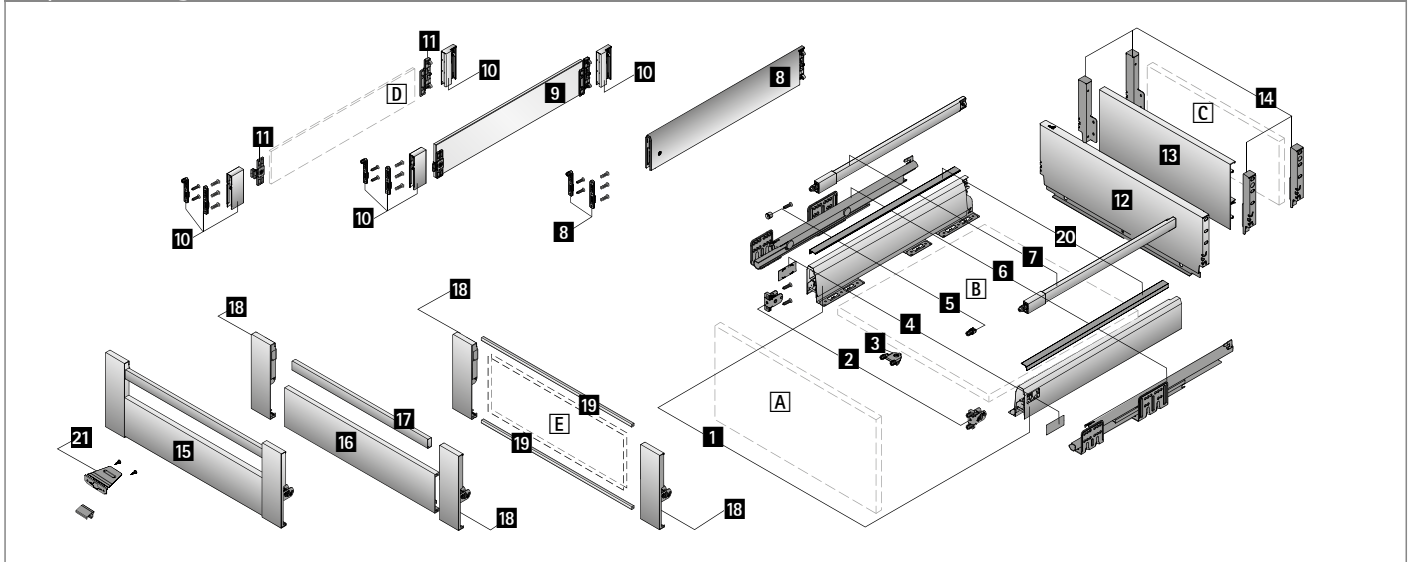
Order no.	PU
9 235 835	1 set

ArciTech double walled drawer system

- ▶ Pot-and-pan drawer / Internal pot-and-pan drawer, height 186 mm, drawer side profile height 94 mm
- ▶ Powder coated steel, silver



Exploded diagram



Components

- 1** Drawer side profile, left and right
- 2** Drawer front connector for drawer side profile, 2 each
- 3** Front stabiliser
- 4** Cover cap, 2 each
- 5** Drawer front connector for lengthwise railing, 2 each
- 6** Actro drawer runner, left and right, see page 206 - 209
- 7** Lengthwise railing, left and right
- Alternatively 1:**
 - 8** TopSide
- Alternatively 2:**
 - 9** DesignSide in glass and
 - 10** DesignSide adapter
- Alternatively 3:**
 - D** DesignSide in any chosen material and
 - 10** DesignSide adapter and
 - 11** DesignSide connector
- 12** Steel rear panel
- Alternatively:**
 - 13** Aluminium rear panel or **C** Wooden rear panel and
 - 14** Rear panel connector, left and right

- 15** Front panel for internal pot-and-pan drawer

Alternatively 1:

- 16** Aluminium front panel and
- 17** Railing for aluminium front panel and
- 18** Connector for front panel

Alternatively 2:

- E** Front panel in any chosen material and
- 18** Connector for front panel and
- 19** Profile for front

Optional accessories:

- 20** Designer profile (cannot be used with TopSide or DesignSide), see page 190 - 193
- 21** Catch for internal front panel
- A** Front panel
- B** Bottom panel (material thickness 16 mm)
- C** Wooden rear panel (material thickness 16 mm)
- D** DesignSide in any chosen material (material thickness 8 mm)
- E** Front panel in any chosen material (material thickness 6 mm)

Advice

- ▶ For technical information, see pages 229 - 232, 248 - 261
- ▶ Actro drawer runner, see page 206 - 209

- ▶ Pot-and-pan drawer / Internal pot-and-pan drawer, height 186 mm, drawer side profile height 94 mm
- ▶ Powder coated steel, silver

All inclusive sets

Pot-and-pan drawer set

Set comprises:

- ▶ **1** 1 drawer side profile, left and right
- ▶ **2** 2 knock in drawer front connectors
- ▶ **4** 2 cover caps, anthracite plastic with Hettich logo
- ▶ **7** 1 lengthwise railing, left and right, and **5** 2 knock in drawer front connectors **or**
- ▶ **8** 1 TopSide set, including drawer front connectors **or**
- ▶ **9** 1 DesignSide set in glass and . DesignSide adapter, including drawer front connectors
- ▶ **14** 1 rear panel connector, left and right
- ▶ Fixing material

Note: Please order your Actro runner separately, see page 206 - 209

Nominal length mm	Order no. / Article			PU
	lengthwise railing	TopSide	DesignSide	
270	9 150 686		9 150 706	1 set
300	9 150 687		9 150 707	1 set
350	9 150 688		9 150 708	1 set
400	9 150 398	9 150 714	9 150 709	1 set
450	9 150 702	9 150 715	9 150 710	1 set
500	9 150 703	9 150 716	9 150 711	1 set
550	9 150 704	9 150 717	9 150 712	1 set
650	9 150 705	9 150 718	9 150 713	1 set

Flexible sets

Drawer side profile set

Set comprises:

- ▶ **1** 1 drawer side profile, left and right
- ▶ **2** 2 knock in drawer front connectors
- ▶ **4** 2 cover caps, anthracite plastic with Hettich logo
- ▶ Fixing material



Rear panel connector set

- ▶ For wooden or **13** Aluminium rear panel

Set comprises:

- ▶ **14** 1 rear panel connector, left and right
- ▶ Fixing material



Nominal length mm	Order no.	PU
270	9 150 613	1 set
300	9 150 614	1 set
350	9 150 615	1 set
400	9 150 616	1 set
450	9 150 618	1 set
500	9 150 619	1 set
550	9 150 620	1 set
650	9 150 621	1 set

Nominal height mm	Order no.	PU
186	9 150 643	1 set

13 Aluminium rear panel

- ▶ For variable or standard cabinet body width
- ▶ For cutting to length
- ▶ Length 2000 mm
- ▶ Powder coated, silver
- ▶ Rear panel connector set must be ordered separately



Order no.	PU
9 192 189	1 ea.

Lengthwise railing set

Set comprises:

- ▶ **7** 1 lengthwise railing, left and right
- ▶ **5** 2 knock in drawer front connectors



Nominal length mm	Order no.	PU
270	9 150 647	1 set
300	9 150 648	1 set
350	9 150 649	1 set
400	9 150 650	1 set
450	9 150 652	1 set
500	9 150 653	1 set
550	9 150 654	1 set
650	9 150 656	1 set

ArciTech double walled drawer system

- ▶ Pot-and-pan drawer / Internal pot-and-pan drawer, height 186 mm, drawer side profile height 94 mm
- ▶ Powder coated steel, silver

8 TopSide

Set comprises:

- ▶ 1 TopSide, left and right
- ▶ 2 front connectors for knocking in and for screwing on



Nominal length mm	Order no.	PU
400	9 122 912	1 set
450	9 122 916	1 set
500	9 122 920	1 set
550	9 122 924	1 set
650	9 122 932	1 set

9 DesignSide in glass

- ▶ Float glass, clear, with glued on connectors
- ▶ Material 8mm thick
- ▶ **10** DesignSide adapters must be ordered separately



Set comprises:

- ▶ 1 DesignSide with glued on connectors, left and right

Nominal length mm	Order no.	PU
270	9 122 983	1 set
300	9 122 984	1 set
350	9 122 985	1 set
400	9 122 986	1 set
450	9 122 987	1 set
500	9 122 988	1 set
550	9 122 989	1 set
650	9 122 990	1 set

10 DesignSide adapter

- ▶ For combination with **9** DesignSide in glass or, when using a DesignSide in any chosen material, **11** DesignSide connector



Set comprises:

- ▶ 1 DesignSide adapter, front, left and right
- ▶ 1 DesignSide adapter, rear, left and right
- ▶ 2 front connectors for knocking in and for screwing on

Order no.	PU
9 122 973	1 set

11 DesignSide connector

- ▶ For combination with DesignSide in any chosen material
- ▶ For gluing or screwing (Ø 3 x 10)
- ▶ **10** DesignSide adapters must be ordered separately



Set comprises:

- ▶ 1 DesignSide connector, front, left and right
- ▶ 1 DesignSide connector, rear, left and right

Order no.	PU
9 122 998	1/15 set

3 Front panel stabiliser

- ▶ For stabilising wide and/or high front panels
- ▶ Recommended for use in cabinets in widths of 600 mm and over and / or front panel heights of 450 mm and over
- ▶ Plastic, anthracite



Order no.	PU
9 123 080	1/150 ea.

ArciTech double walled drawer system



- ▶ Pot-and-pan drawer / Internal pot-and-pan drawer, **height 186 mm**, drawer side profile **height 94 mm**
- ▶ Powder coated steel, **silver**

Components

1 Drawer side profile



Nominal length mm	Order no. / Drawer side		PU
	left	right	
300	9 121 199	9 121 200	15 ea.
350	9 121 201	9 121 202	15 ea.
400	9 121 203	9 121 204	15 ea.
450	9 121 205	9 121 206	15 ea.
500	9 121 207	9 121 208	15 ea.
550	9 121 209	9 121 210	15 ea.

2 Drawer front connector for drawer side profile

- ▶ Steel / plastic



Mounting option	Order no.	PU
for screwing on	9 123 011	1/150 ea.
for knocking in	9 123 010	1/150 ea.

3 Front panel stabiliser

- ▶ For stabilising wide and/or high front panels
- ▶ Recommended for use in cabinets in widths of 600 mm and over and / or front panel heights of 450 mm and over
- ▶ Plastic, anthracite



Order no.	PU
9 123 080	1/150 ea.

4 Cover cap

- ▶ Plastic
- ▶ Cover cap with customised imprint available on request



Finish	Order no.	PU
Anthracite with Hettich logo	9 123 005	1/300 ea.
Anthracite	9 123 000	1/300 ea.
Chrome look with Hettich logo	9 123 008	1/300 ea.
Chrome look	9 123 003	1/300 ea.

7 Lengthwise railing



Nominal length mm	Order no. / Drawer side		PU
	left	right	
350	9 121 973	9 121 974	30 ea.
400	9 121 983	9 121 984	30 ea.
450	9 121 993	9 121 994	30 ea.
500	9 122 003	9 122 004	30 ea.
550	9 122 013	9 122 014	30 ea.

5 Drawer front connector for lengthwise railing

- ▶ Plastic, anthracite



Mounting option	Order no.	PU
for screwing on	9 127 011	1/300 ea.
for knocking in	9 127 000	1/300 ea.

ArciTech double walled drawer system



- ▶ Pot-and-pan drawer / Internal pot-and-pan drawer, height 186 mm, drawer side profile height 94 mm
- ▶ Powder coated steel, silver

8 TopSide

Set comprises:

- ▶ 1 TopSide, left and right
- ▶ 2 front connectors for knocking in and for screwing on



Nominal length mm	Order no.	PU
400	9 122 912	1 set
450	9 122 916	1 set
500	9 122 920	1 set
550	9 122 924	1 set
650	9 122 932	1 set

9 DesignSide in glass

- ▶ Float glass, clear, with glued on connectors
- ▶ Material 8mm thick
- ▶ **10** DesignSide adapters must be ordered separately



Set comprises:

- ▶ 1 DesignSide with glued on connectors, left and right

Nominal length mm	Order no.	PU
270	9 122 983	1 set
300	9 122 984	1 set
350	9 122 985	1 set
400	9 122 986	1 set
450	9 122 987	1 set
500	9 122 988	1 set
550	9 122 989	1 set
650	9 122 990	1 set

10 DesignSide adapter

- ▶ For combination with **9** DesignSide in glass or, when using a DesignSide in any chosen material, **11** DesignSide connector

Set comprises:

- ▶ 1 DesignSide adapter, front, left and right
- ▶ 1 DesignSide adapter, rear, left and right
- ▶ 2 front connectors for knocking in and for screwing on



Order no.	PU
9 122 973	1 set

11 DesignSide connector

- ▶ For combination with DesignSide in any chosen material
- ▶ For gluing or screwing (Ø 3 x 10)
- ▶ **10** DesignSide adapters must be ordered separately

Set comprises:

- ▶ 1 DesignSide connector, front, left and right
- ▶ 1 DesignSide connector, rear, left and right



Order no.	PU
9 122 998	1/15 set

13 Aluminium rear panel

- ▶ For variable or standard cabinet body width
- ▶ For cutting to length
- ▶ Length 2000 mm
- ▶ Powder coated, silver
- ▶ **14** Rear panel connectors must be ordered separately



Order no.	PU
9 192 189	1 ea.

14 Rear panel connector

- ▶ For wooden or **13** Aluminium rear panel



Nominal height mm	Order no. / Drawer side		PU
	left	right	
186	9 121 843	9 121 844	30 ea.

- ▶ Pot-and-pan drawer / Internal pot-and-pan drawer, height 186 mm, drawer side profile height 94 mm
- ▶ Powder coated steel, silver

Front panel for internal pot-and-pan drawer

15 Front panel for internal pot-and-pan drawer

- ▶ For standard cabinet body width
- ▶ With premounted connectors and premounted railing
- ▶ Powder coated steel, silver / anodised aluminium, silver



Cabinet body width mm	Order no.	PU
300	9 122 849	1/15 ea.
400	9 122 850	1/15 ea.
450	9 122 851	1/15 ea.
500	9 122 852	1/15 ea.
600	9 122 853	1/15 ea.
800	9 122 854	1/15 ea.
900	9 122 855	1/15 ea.
1000	9 122 856	1/15 ea.
1200	9 122 857	1/15 ea.

16 Aluminium front panel

- ▶ For variable or standard cabinet body width
- ▶ For cutting to length
- ▶ Length 2000 mm
- ▶ silver anodized
- ▶ **17** Railing and **18** Connectors for the front panel must be ordered separately



Order no.	PU
9 192 204	1 ea.

17 Railing for aluminium front panel

- ▶ Steel
- ▶ For variable or standard cabinet body width
- ▶ For cutting to length
- ▶ Length 2000 mm
- ▶ **16** Aluminium front panel and **18** Connectors for the front panel must be ordered separately



Order no.	PU
9 182 706	1 ea.

18 Connector for front panel

- ▶ For combination with **16** Aluminium front panel and **17** Railing for front panel or, when using a front panel in any chosen material, **19** Profile for front
- ▶ When using any chosen material with a total load of up to 60 kg



Set comprises:

- ▶ 1 connector for front panel, left and right

Order no.	PU
9 123 089	1/15 set

19 Profile for front

- ▶ For front panel in any chosen material
- ▶ For cutting to length, 2 profiles per front panel
- ▶ Length 1140 mm
- ▶ Aluminium, silver anodized
- ▶ **18** Connectors must be ordered separately



Order no.	PU
9 192 208	1 ea.

21 Catch for internal front panel

- ▶ For screwing on
- ▶ Plastic, grey



Set comprises:

- ▶ 1 catch
- ▶ 1 profile height increaser
- ▶ Fixing material

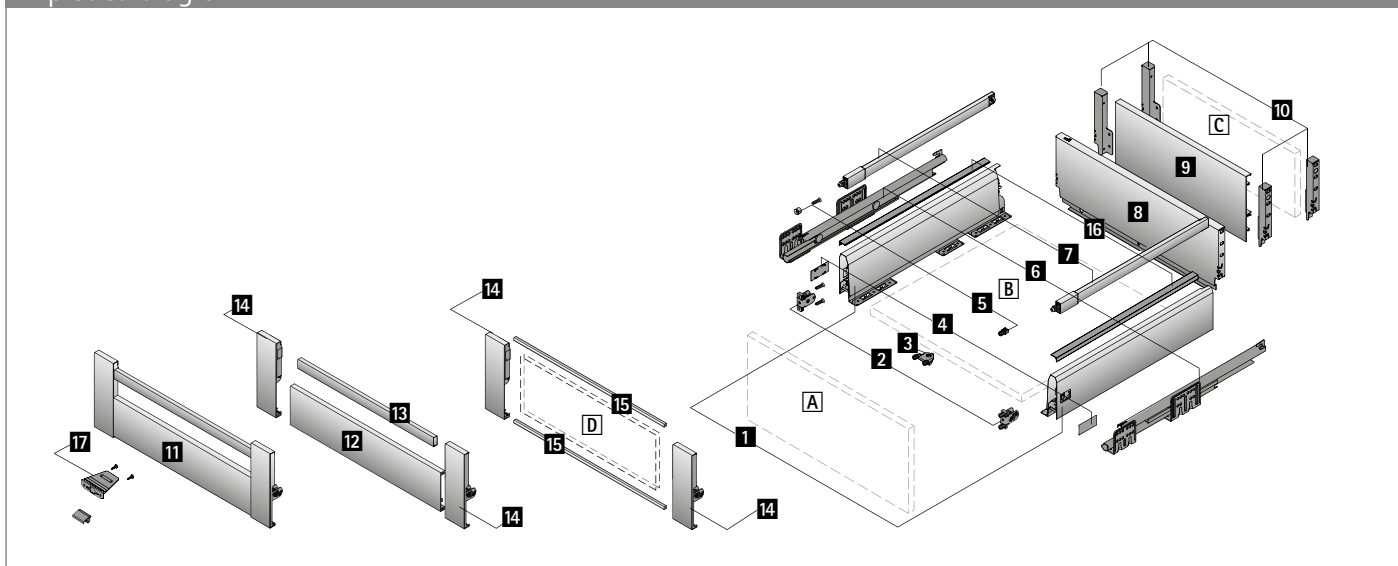
Order no.	PU
9 235 835	1 set

ArciTech double walled drawer system

- ▶ Pot-and-pan / internal pot-and-pan drawer, **height 186 mm**, drawer side profile **height 126 mm**
- ▶ Powder coated steel, **silver**



Exploded diagram



Components

- 1** Drawer side profile, left and right
- 2** Drawer front connector for drawer side profile, 2 each
- 3** Front stabiliser
- 4** Cover cap, 2 each
- 5** Drawer front connector for lengthwise railing, 2 each
- 6** Actro drawer runner, left and right, see page 206 - 209
- 7** Lengthwise railing, left and right
- 8** Steel rear panel

Alternatively:

- 9** Aluminium rear panel or **C** Wooden rear panel and
- 10** Rear panel connector, left and right
- 11** Front panel for internal pot-and-pan drawer

Alternatively 1:

- 12** Aluminium front panel and
- 13** Railing for aluminium front panel and
- 14** Connector for front panel

Alternatively 2:

- D** Front panel in any chosen material and
- 14** Connector for front panel and
- 15** Profile for front

Optional accessories:

- 16** Designer-type profile, see page 190 - 193
- 17** Catch for internal front panel
- A** Front panel
- B** Bottom panel (material thickness 16 mm)
- C** Wooden rear panel (material thickness 16 mm)
- D** Front panel in any chosen material (material thickness 6 mm)

Advice

- ▶ For technical information, see pages 233 - 234, 248 - 261
- ▶ Actro drawer runner, see page 206 - 209

ArciTech double walled drawer system



- ▶ Pot-and-pan / internal pot-and-pan drawer, height 186 mm, drawer side profile height 126 mm
- ▶ Powder coated steel, silver

All inclusive sets

Pot-and-pan drawer set with lengthwise railing

Set comprises:

- ▶ **1** 1 drawer side profile, left and right
- ▶ **2** 2 knock in drawer front connectors
- ▶ **4** 2 cover caps, anthracite plastic with Hettich logo
- ▶ **7** 1 lengthwise railing, left and right
- ▶ **5** 2 knock in drawer front connectors
- ▶ **10** 1 rear panel connector, left and right
- ▶ Fixing material

Note: Please order your Actro runner separately, see page 206 - 209

Nominal length mm	Order no.	PU
270	9 150 933	1 set
300	9 150 934	1 set
350	9 150 935	1 set
400	9 150 936	1 set
450	9 150 937	1 set
500	9 150 938	1 set
550	9 150 939	1 set
650	9 150 940	1 set

Flexible sets

Drawer side profile set

Set comprises:

- ▶ **1** 1 drawer side profile, left and right
- ▶ **2** 2 knock in drawer front connectors
- ▶ **4** 2 cover caps, anthracite plastic with Hettich logo
- ▶ Fixing material



Rear panel connector set

- ▶ For wooden or **9** Aluminium rear panel

Set comprises:

- ▶ **10** 1 rear panel connector, left and right
- ▶ Fixing material



Nominal length mm	Order no.	PU
270	9 150 622	1 set
300	9 150 623	1 set
350	9 150 624	1 set
400	9 150 625	1 set
450	9 150 626	1 set
500	9 150 627	1 set
550	9 150 628	1 set
650	9 150 629	1 set

Nominal height mm	Order no.	PU
186	9 150 643	1 set

9 Aluminium rear panel

- ▶ For variable or standard cabinet body width
- ▶ For cutting to length
- ▶ Length 2000 mm
- ▶ Powder coated, silver
- ▶ Rear panel connector set must be ordered separately



Order no.	PU
9 192 189	1 ea.

Lengthwise railing set

Set comprises:

- ▶ **7** 1 lengthwise railing, left and right
- ▶ **5** 2 knock in drawer front connectors



Nominal length mm	Order no.	PU
270	9 150 647	1 set
300	9 150 648	1 set
350	9 150 649	1 set
400	9 150 650	1 set
450	9 150 652	1 set
500	9 150 653	1 set
550	9 150 654	1 set
650	9 150 656	1 set

3 Front panel stabiliser

- ▶ For stabilising wide and/or high front panels
- ▶ Recommended for use in cabinets in widths of 600 mm and over and / or front panel heights of 450 mm and over
- ▶ Plastic, anthracite



Order no.	PU
9 123 080	1/150 ea.

- ▶ Pot-and-pan / internal pot-and-pan drawer, **height 186 mm**, drawer side profile **height 126 mm**
- ▶ Powder coated steel, **silver**

Front panel for internal pot-and-pan drawer

12 Aluminium front panel

- ▶ For variable or standard cabinet body width
- ▶ For cutting to length
- ▶ Length 2000 mm
- ▶ silver anodized
- ▶ **13** Railing and **14** Connectors for the front panel must be ordered separately



Order no.	PU
9 192 204	1 ea.

13 Railing for aluminium front panel

- ▶ Steel
- ▶ For variable or standard cabinet body width
- ▶ For cutting to length
- ▶ Length 2000 mm
- ▶ **12** Aluminium front panel and **14** Connectors for the front panel must be ordered separately



Order no.	PU
9 182 706	1 ea.

14 Connector for front panel

- ▶ For combination with **12** Aluminium front panel and **13** Railing for front panel or, when using a front panel in any chosen material, **15** Profile for front
- ▶ When using any chosen material with a total load of up to 60 kg



Set comprises:

- ▶ 1 connector for front panel, left and right

Order no.	PU
9 123 089	1/15 set

15 Profile for front

- ▶ For front panel in any chosen material
- ▶ For cutting to length, 2 profiles per front panel
- ▶ Length 2000 mm
- ▶ Aluminium, silver anodised
- ▶ **14** Connectors must be ordered separately



Order no.	PU
9 192 208	1 ea.

17 Catch for internal front panel

- ▶ For screwing on
- ▶ Plastic, grey



Set comprises:

- ▶ 1 catch
- ▶ 1 profile height increaser
- ▶ Fixing material

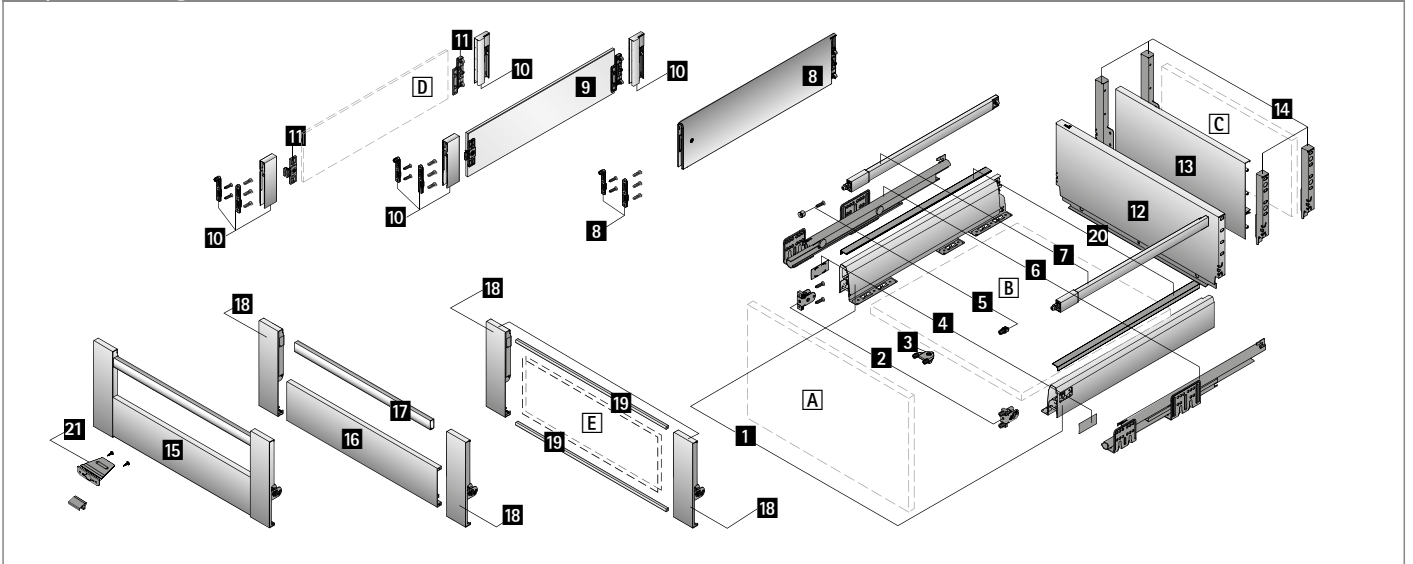
Order no.	PU
9 235 835	1 set

ArciTech double walled drawer system

- ▶ Pot-and-pan drawer / internal pot-and-pan drawer, height 218 mm, drawer side profile height 94 mm
- ▶ Powder coated steel, silver



Exploded diagram



Components

- 1** Drawer side profile, left and right
- 2** Drawer front connector for drawer side profile, 2 each
- 3** Front stabiliser
- 4** Cover cap, 2 each
- 5** Drawer front connector for lengthwise railing, 2 each
- 6** Actro drawer runner, left and right, see page 206 - 209
- 7** Lengthwise railing, left and right
- Alternatively 1:**
 - 8** TopSide
- Alternatively 2:**
 - 9** DesignSide in glass and
 - 10** DesignSide adapter
- Alternatively 3:**
 - D** DesignSide in any chosen material and
 - 10** DesignSide adapter and
 - 11** DesignSide connector
- 12** Steel rear panel
- Alternatively:**
 - 13** Aluminium rear panel or **C** Wooden rear panel and
 - 14** Rear panel connector, left and right

- 15** Front panel for internal pot-and-pan drawer

Alternatively 1:

- 16** Aluminium front panel and
- 17** Railing for aluminium front panel and
- 18** Connector for front panel

Alternatively 2:

- E** Front panel in any chosen material and
- 18** Connector for front panel and
- 19** Profile for front

Optional accessories:

- 20** Designer profile (cannot be used with TopSide or DesignSide), see page 190 - 193
- 21** Catch for internal front panel
- A** Front panel
- B** Bottom panel (material thickness 16 mm)
- C** Wooden rear panel (material thickness 16 mm)
- D** DesignSide in any chosen material (material thickness 8 mm)
- E** Front panel in any chosen material (material thickness 6 mm)

Advice

- ▶ For technical information, see pages 235 - 238, 248 - 261
- ▶ Actro drawer runner, see page 206 - 209

ArciTech double walled drawer system



- ▶ Pot-and-pan drawer / internal pot-and-pan drawer, **height 218 mm**, drawer side profile **height 94 mm**
- ▶ Powder coated steel, **silver**

All inclusive sets

Pot-and-pan drawer set

Set comprises:

- ▶ **1** 1 drawer side profile, left and right
- ▶ **2** 2 knock in drawer front connectors
- ▶ **4** 2 cover caps, anthracite plastic with Hettich logo
- ▶ **7** 1 lengthwise railing, left and right, and **5** 2 knock in drawer front connectors **or**
- ▶ **8** 1 TopSide set, including drawer front connectors **or**
- ▶ **9** 1 DesignSide set in glass and . DesignSide adapter, including drawer front connectors
- ▶ **14** 1 rear panel connector, left and right
- ▶ Fixing material

Note: Please order your Actro runner separately, see page 206 - 209

Nominal length mm	Order no. / Article			PU
	lengthwise railing	TopSide	DesignSide	
270	9 150 719		9 150 727	1 set
300	9 150 720		9 150 728	1 set
350	9 150 721		9 150 729	1 set
400	9 150 722	9 150 735	9 150 730	1 set
450	9 150 723	9 150 736	9 150 731	1 set
500	9 150 724	9 150 737	9 150 732	1 set
550	9 150 725	9 150 738	9 150 733	1 set
650	9 150 726	9 150 739	9 150 734	1 set

Flexible sets

Drawer side profile set

Set comprises:

- ▶ **1** 1 drawer side profile, left and right
- ▶ **2** 2 knock in drawer front connectors
- ▶ **4** 2 cover caps, anthracite plastic with Hettich logo
- ▶ Fixing material



Rear panel connector set

- ▶ For wooden or **13** Aluminium rear panel

Set comprises:

- ▶ **14** 1 rear panel connector, left and right
- ▶ Fixing material



Nominal length mm	Order no.	PU
270	9 150 613	1 set
300	9 150 614	1 set
350	9 150 615	1 set
400	9 150 616	1 set
450	9 150 618	1 set
500	9 150 619	1 set
550	9 150 620	1 set
650	9 150 621	1 set

Nominal height mm	Order no.	PU
218	9 150 644	1 set

13 Aluminium rear panel

- ▶ For variable or standard cabinet body width
- ▶ For cutting to length
- ▶ Length 2000 mm
- ▶ Powder coated, silver
- ▶ Rear panel connector set must be ordered separately



Order no.	PU
9 192 182	1 ea.

Lengthwise railing set

Set comprises:

- ▶ **7** 1 lengthwise railing, left and right
- ▶ **5** 2 knock in drawer front connectors



Nominal length mm	Order no.	PU
270	9 150 647	1 set
300	9 150 648	1 set
350	9 150 649	1 set
400	9 150 650	1 set
450	9 150 652	1 set
500	9 150 653	1 set
550	9 150 654	1 set
650	9 150 656	1 set

- ▶ Pot-and-pan drawer / internal pot-and-pan drawer, **height 218 mm**, drawer side profile **height 94 mm**
- ▶ Powder coated steel, **silver**

8 TopSide

Set comprises:

- ▶ 1 TopSide, left and right
- ▶ 2 front connectors for knocking in and for screwing on



Nominal length mm	Order no.	PU
400	9 122 949	1 set
450	9 122 953	1 set
500	9 122 957	1 set
550	9 122 961	1 set
650	9 122 969	1 set

9 DesignSide in glass

- ▶ Float glass, clear, with glued on connectors
- ▶ Material 8mm thick
- ▶ **10** DesignSide adapters must be ordered separately



Set comprises:

- ▶ 1 DesignSide with glued on connectors, left and right

Nominal length mm	Order no.	PU
270	9 122 991	1 set
300	9 122 992	1 set
350	9 122 993	1 set
400	9 122 994	1 set
450	9 122 995	1 set
500	9 122 996	1 set
550	9 122 997	1 set
650	9 123 078	1 set

10 DesignSide adapter

- ▶ For combination with **9** DesignSide in glass or, when using a DesignSide in any chosen material, **11** DesignSide connector



Set comprises:

- ▶ 1 DesignSide adapter, front, left and right
- ▶ 1 DesignSide adapter, rear, left and right
- ▶ 2 front connectors for knocking in and for screwing on

Order no.	PU
9 122 978	1 set

11 DesignSide connector

- ▶ For combination with DesignSide in any chosen material
- ▶ For gluing or screwing (Ø 3 x 10)
- ▶ **10** DesignSide adapters must be ordered separately



Set comprises:

- ▶ 1 DesignSide connector, front, left and right
- ▶ 1 DesignSide connector, rear, left and right

Order no.	PU
9 122 998	1/15 set

3 Front panel stabiliser

- ▶ For stabilising wide and/or high front panels
- ▶ Recommended for use in cabinets in widths of 600 mm and over and / or front panel heights of 450 mm and over
- ▶ Plastic, anthracite



Order no.	PU
9 123 080	1/150 ea.

- ▶ Pot-and-pan drawer / internal pot-and-pan drawer, height 218 mm, drawer side profile height 94 mm
- ▶ Powder coated steel, silver

Front panel for internal pot-and-pan drawer

16 Aluminium front panel

- ▶ For variable or standard cabinet body width
- ▶ For cutting to length
- ▶ Length 2000 mm
- ▶ silver anodized
- ▶ **17** Railing and **18** Connectors for the front panel must be ordered separately



Order no.	PU
9 192 204	1 ea.

17 Railing for aluminium front panel

- ▶ Steel
- ▶ For variable or standard cabinet body width
- ▶ For cutting to length
- ▶ Length 2000 mm
- ▶ **16** Aluminium front panel and **18** Connectors for the front panel must be ordered separately



Order no.	PU
9 182 706	1 ea.

18 Connector for front panel

- ▶ For combination with **16** Aluminium front panel and **17** Railing for front panel or, when using a front panel in any chosen material, **19** Profile for front
- ▶ When using any chosen material with a total load of up to 60 kg



Set comprises:

- ▶ 1 connector for front panel, left and right

Order no.	PU
9 123 092	1/15 set

19 Profile for front

- ▶ For front panel in any chosen material
- ▶ For cutting to length, 2 profiles per front panel
- ▶ Length 2000 mm
- ▶ Aluminium, silver anodised
- ▶ **18** Connectors must be ordered separately



Order no.	PU
9 192 208	1 ea.

21 Catch for internal front panel

- ▶ For screwing on
- ▶ Plastic, grey



Set comprises:

- ▶ 1 catch
- ▶ 1 profile height increaser
- ▶ Fixing material

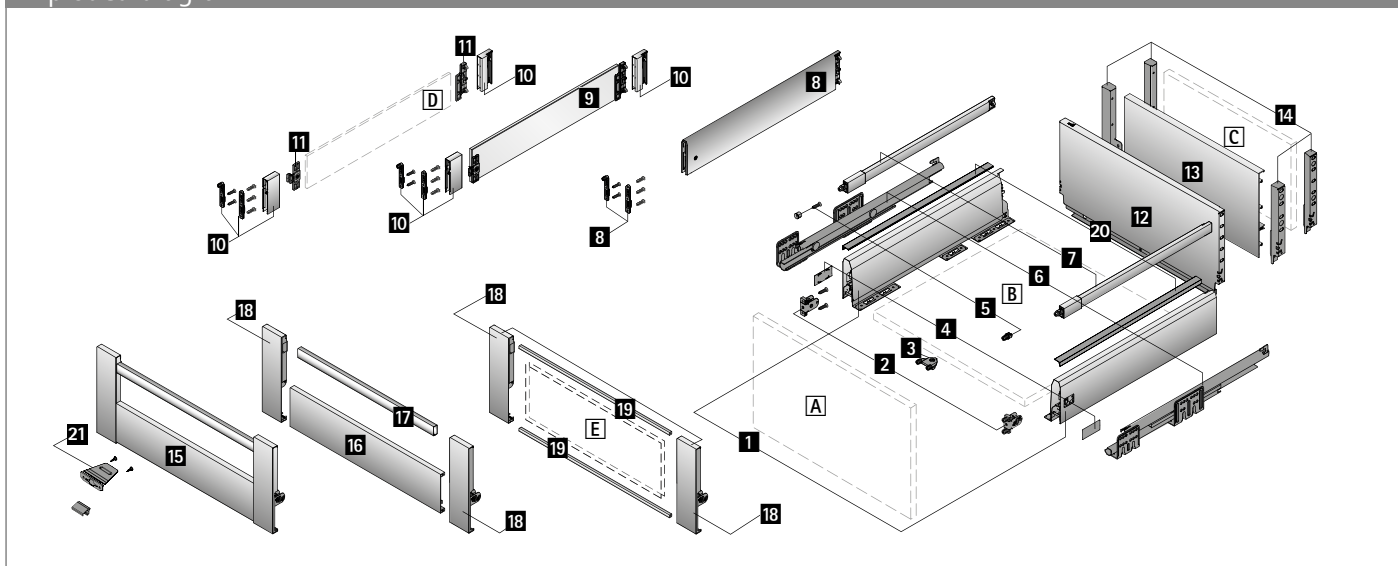
Order no.	PU
9 235 835	1 set

ArciTech double walled drawer system

- ▶ Pot-and-pan drawer / internal pot-and-pan drawer, height 218 mm, drawer side profile height 126 mm
- ▶ Powder coated steel, silver



Exploded diagram



Components

- 1** Drawer side profile, left and right
- 2** Drawer front connector for drawer side profile, 2 each
- 3** Front stabiliser
- 4** Cover cap, 2 each
- 5** Drawer front connector for lengthwise railing, 2 each
- 6** Actro drawer runner, left and right, see page 206 - 209
- 7** Lengthwise railing, left and right
- Alternatively 1:**
 - 8** TopSide
- Alternatively 2:**
 - 9** DesignSide in glass and
 - 10** DesignSide adapter
- Alternatively 3:**
 - D** DesignSide in any chosen material and
 - 10** DesignSide adapter and
 - 11** DesignSide connector
- 12** Steel rear panel
- Alternatively:**
 - 13** Aluminium rear panel or **C** Wooden rear panel and
 - 14** Rear panel connector, left and right

- 15** Front panel for internal pot-and-pan drawer

Alternatively 1:

- 16** Aluminium front panel and
- 17** Railing for aluminium front panel and
- 18** Connector for front panel

Alternatively 2:

- E** Front panel in any chosen material and
- 18** Connector for front panel and
- 19** Profile for front

Optional accessories:

- 20** Designer profile (cannot be used with TopSide or DesignSide), see page 190 - 193
- 21** Catch for internal front panel
- A** Front panel
- B** Bottom panel (material thickness 16 mm)
- C** Wooden rear panel (material thickness 16 mm)
- D** DesignSide in any chosen material (material thickness 8 mm)
- E** Front panel in any chosen material (material thickness 6 mm)

Advice

- ▶ For technical information, see pages 239 - 242, 248 - 261
- ▶ Actro drawer runner, see page 206 - 209

- ▶ Pot-and-pan drawer / internal pot-and-pan drawer, **height 218 mm**, drawer side profile **height 126 mm**
- ▶ Powder coated steel, **silver**

All inclusive sets

Pot-and-pan drawer set

Set comprises:

- ▶ **1** 1 drawer side profile, left and right
- ▶ **2** 2 knock in drawer front connectors
- ▶ **4** 2 cover caps, anthracite plastic with Hettich logo
- ▶ **7** 1 lengthwise railing, left and right, and **5** 2 knock in drawer front connectors **or**
- ▶ **8** 1 TopSide set, including drawer front connectors **or**
- ▶ **9** 1 DesignSide set in glass and . DesignSide adapter, including drawer front connectors
- ▶ **14** 1 rear panel connector, left and right
- ▶ Fixing material

Note: Please order your Actro runner separately, see page 206 - 209

Nominal length mm	Order no. / Article			PU
	lengthwise railing	TopSide	DesignSide	
270	9 150 941		9 150 949	1 set
300	9 150 942		9 150 950	1 set
350	9 150 943		9 150 951	1 set
400	9 150 944	9 150 782	9 150 952	1 set
450	9 150 945	9 150 783	9 150 953	1 set
500	9 150 946	9 150 784	9 150 954	1 set
550	9 150 947	9 150 785	9 150 955	1 set
650	9 150 948	9 150 786	9 150 956	1 set

Flexible sets

Drawer side profile set

Set comprises:

- ▶ **1** 1 drawer side profile, left and right
- ▶ **2** 2 knock in drawer front connectors
- ▶ **4** 2 cover caps, anthracite plastic with Hettich logo
- ▶ Fixing material



Rear panel connector set

- ▶ For wooden or **13** Aluminium rear panel

Set comprises:

- ▶ **14** 1 rear panel connector, left and right
- ▶ Fixing material



Nominal length mm	Order no.	PU
270	9 150 622	1 set
300	9 150 623	1 set
350	9 150 624	1 set
400	9 150 625	1 set
450	9 150 626	1 set
500	9 150 627	1 set
550	9 150 628	1 set
650	9 150 629	1 set

Nominal height mm	Order no.	PU
218	9 150 644	1 set

13 Aluminium rear panel

- ▶ For variable or standard cabinet body width
- ▶ For cutting to length
- ▶ Length 2000 mm
- ▶ Powder coated, silver
- ▶ Rear panel connector set must be ordered separately



Order no.	PU
9 192 182	1 ea.

Lengthwise railing set

Set comprises:

- ▶ **7** 1 lengthwise railing, left and right
- ▶ **5** 2 knock in drawer front connectors



Nominal length mm	Order no.	PU
270	9 150 647	1 set
300	9 150 648	1 set
350	9 150 649	1 set
400	9 150 650	1 set
450	9 150 652	1 set
500	9 150 653	1 set
550	9 150 654	1 set
650	9 150 656	1 set

- ▶ Pot-and-pan drawer / internal pot-and-pan drawer, height 218 mm, drawer side profile height 126 mm
- ▶ Powder coated steel, silver

8 TopSide

Set comprises:

- ▶ 1 TopSide, left and right
- ▶ 2 front connectors for knocking in and for screwing on



Nominal length mm	Order no.	PU
400	9 122 912	1 set
450	9 122 916	1 set
500	9 122 920	1 set
550	9 122 924	1 set
650	9 122 932	1 set

9 DesignSide in glass

- ▶ Float glass, clear, with glued on connectors
- ▶ Material 8mm thick
- ▶ **10** DesignSide adapters must be ordered separately



Set comprises:

- ▶ 1 DesignSide with glued on connectors, left and right

Nominal length mm	Order no.	PU
270	9 122 983	1 set
300	9 122 984	1 set
350	9 122 985	1 set
400	9 122 986	1 set
450	9 122 987	1 set
500	9 122 988	1 set
550	9 122 989	1 set
650	9 122 990	1 set

10 DesignSide adapter

- ▶ For combination with **9** DesignSide in glass or, when using a DesignSide in any chosen material, **11** DesignSide connector



Set comprises:

- ▶ 1 DesignSide adapter, front, left and right
- ▶ 1 DesignSide adapter, rear, left and right
- ▶ 2 front connectors for knocking in and for screwing on

Order no.	PU
9 122 973	1 set

11 DesignSide connector

- ▶ For combination with DesignSide in any chosen material
- ▶ For gluing or screwing (Ø 3 x 10)
- ▶ **10** DesignSide adapters must be ordered separately



Set comprises:

- ▶ 1 DesignSide connector, front, left and right
- ▶ 1 DesignSide connector, rear, left and right

Order no.	PU
9 122 998	1/15 set

3 Front panel stabiliser

- ▶ For stabilising wide and/or high front panels
- ▶ Recommended for use in cabinets in widths of 600 mm and over and / or front panel heights of 450 mm and over
- ▶ Plastic, anthracite



Order no.	PU
9 123 080	1/150 ea.

- ▶ Pot-and-pan drawer / internal pot-and-pan drawer, **height 218 mm**, drawer side profile **height 126 mm**
- ▶ Powder coated steel, **silver**

Front panel for internal pot-and-pan drawer

16 Aluminium front panel

- ▶ For variable or standard cabinet body width
- ▶ For cutting to length
- ▶ Length 2000 mm
- ▶ silver anodized
- ▶ **17** Railing and **18** Connectors for the front panel must be ordered separately



Order no.	PU
9 192 204	1 ea.

17 Railing for aluminium front panel

- ▶ Steel
- ▶ For variable or standard cabinet body width
- ▶ For cutting to length
- ▶ Length 2000 mm
- ▶ **16** Aluminium front panel and **18** Connectors for the front panel must be ordered separately



Order no.	PU
9 182 706	1 ea.

18 Connector for front panel

- ▶ For combination with **16** Aluminium front panel and **17** Railing for front panel or, when using a front panel in any chosen material, **19** Profile for front
- ▶ When using any chosen material with a total load of up to 60 kg



Set comprises:

- ▶ 1 connector for front panel, left and right

Order no.	PU
9 123 092	1/15 set

19 Profile for front

- ▶ For front panel in any chosen material
- ▶ For cutting to length, 2 profiles per front panel
- ▶ Length 2000 mm
- ▶ Aluminium, silver anodised
- ▶ **18** Connectors must be ordered separately



Order no.	PU
9 192 208	1 ea.

21 Catch for internal front panel

- ▶ For screwing on
- ▶ Plastic, grey



Set comprises:

- ▶ 1 catch
- ▶ 1 profile height increaser
- ▶ Fixing material

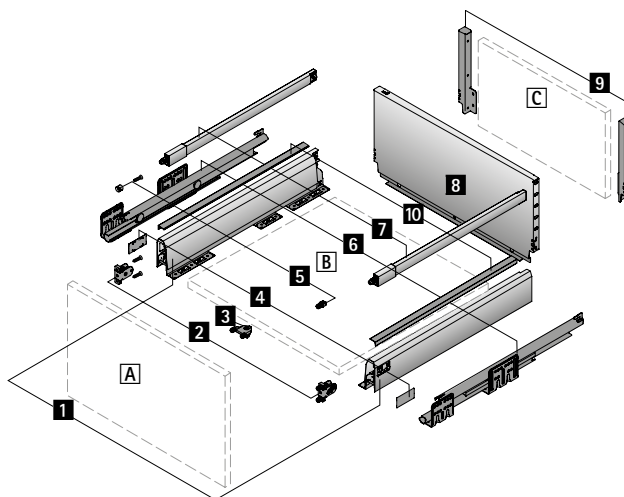
Order no.	PU
9 235 835	1 set

ArciTech double walled drawer system

- ▶ Pot-and-pan drawer, height 250 mm, drawer side profile height 94 mm
- ▶ Powder coated steel, silver



Exploded diagram



Components

- 1** Drawer side profile, left and right
- 2** Drawer front connector for drawer side profile, 2 each
- 3** Front stabiliser
- 4** Cover cap, 2 each
- 5** Drawer front connector for lengthwise railing, 2 each
- 6** Actro drawer runner, left and right, see page 206 - 209
- 7** Lengthwise railing, left and right
- 8** Steel rear panel

Alternatively:

- C** Wooden rear panel and
- 9** Rear panel connector, left and right

Optional accessories:

- 10** Designer-type profile, see page 190 - 193
- A** Front panel
- B** Bottom panel (material thickness 16 mm)
- C** Wooden rear panel (material thickness 16 mm)

Advice

- ▶ For technical information, see pages 243, 248 - 261
- ▶ Actro drawer runner, see page 206 - 209

ArciTech double walled drawer system



- ▶ Pot-and-pan drawer, height 250 mm, drawer side profile height 94 mm
- ▶ Powder coated steel, silver

All inclusive sets

Pot-and-pan drawer set with lengthwise railing

Set comprises:

- ▶ **1** 1 drawer side profile, left and right
- ▶ **2** 2 knock in drawer front connectors
- ▶ **4** 2 cover caps, anthracite plastic with Hettich logo
- ▶ **7** 1 lengthwise railing, left and right
- ▶ **5** 2 knock in drawer front connectors
- ▶ **9** 1 rear panel connector, left and right
- ▶ Fixing material

Note: Please order your Actro runner separately, see page 206 - 209

Nominal length mm	Order no.	PU
270	9 150 740	1 set
300	9 150 741	1 set
350	9 150 742	1 set
400	9 150 743	1 set
450	9 150 744	1 set
500	9 150 745	1 set
550	9 150 746	1 set
650	9 150 747	1 set

Flexible sets

Drawer side profile set

Set comprises:

- ▶ **1** 1 drawer side profile, left and right
- ▶ **2** 2 knock in drawer front connectors
- ▶ **4** 2 cover caps, anthracite plastic with Hettich logo
- ▶ Fixing material



Rear panel connector set

- ▶ For wooden rear panel

Set comprises:

- ▶ **9** 1 rear panel connector, left and right
- ▶ Fixing material



Nominal length mm	Order no.	PU
270	9 150 613	1 set
300	9 150 614	1 set
350	9 150 615	1 set
400	9 150 616	1 set
450	9 150 618	1 set
500	9 150 619	1 set
550	9 150 620	1 set
650	9 150 621	1 set

Nominal height mm	Order no.	PU
250	9 150 645	1 set

Lengthwise railing set

Set comprises:

- ▶ **7** 1 lengthwise railing, left and right
- ▶ **5** 2 knock in drawer front connectors



Nominal length mm	Order no.	PU
270	9 150 647	1 set
300	9 150 648	1 set
350	9 150 649	1 set
400	9 150 650	1 set
450	9 150 652	1 set
500	9 150 653	1 set
550	9 150 654	1 set
650	9 150 656	1 set

3 Front panel stabiliser

- ▶ For stabilising wide and/or high front panels
- ▶ Recommended for use in cabinets in widths of 600 mm and over and / or front panel heights of 450 mm and over
- ▶ Plastic, anthracite



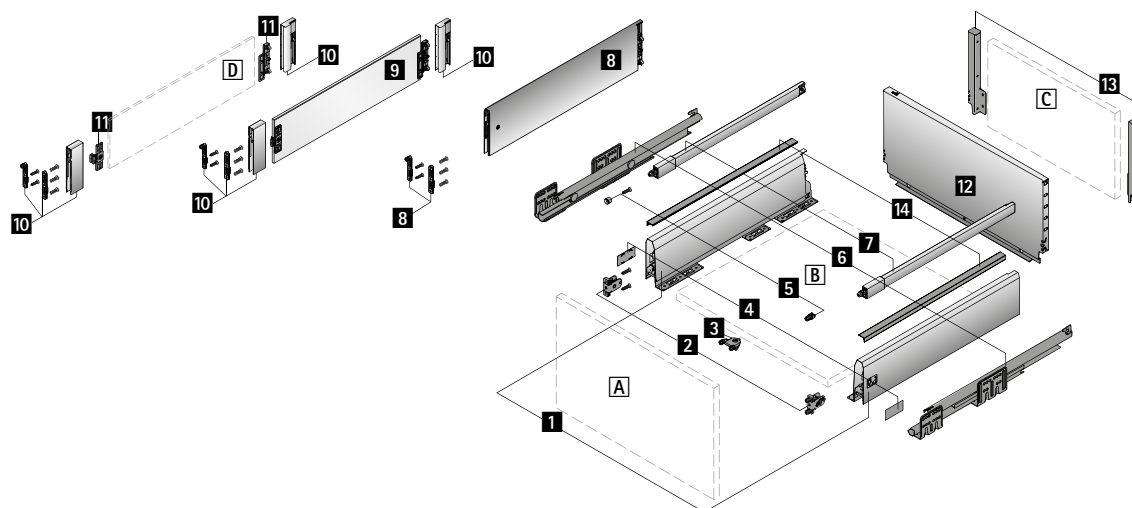
Order no.	PU
9 123 080	1/150 ea.

ArciTech double walled drawer system

- ▶ Pot-and-pan drawer, height 250 mm, drawer side profile height 126 mm
- ▶ Powder coated steel, silver



Exploded diagram



Components

- 1** Drawer side profile, left and right
- 2** Drawer front connector for drawer side profile, 2 each
- 3** Front stabiliser
- 4** Cover cap, 2 each
- 5** Drawer front connector for lengthwise railing, 2 each
- 6** Actro drawer runner, left and right, see page 206 - 209
- 7** Lengthwise railing, left and right

Alternatively 1:

- 8** TopSide

Alternatively 2:

- 9** DesignSide in glass and
- 10** DesignSide adapter

Alternatively 3:

- D** DesignSide in any chosen material and
- 10** DesignSide adapter and
- 11** DesignSide connector

12 Steel rear panel

Alternatively:

- C** Wooden rear panel and
- 13** Rear panel connector, left and right

Optional accessories:

- 14** Designer profile (cannot be used with TopSide or DesignSide), see page 190 - 193

A Front panel

B Bottom panel (material thickness 16 mm)

C Wooden rear panel (material thickness 16 mm)

D DesignSide in any chosen material (material thickness 8 mm)

Advice

- ▶ For technical information, see pages 244 - 245, 248 - 261
- ▶ Actro drawer runner, see page 206 - 209

ArciTech double walled drawer system



- ▶ Pot-and-pan drawer, **height 250 mm**, drawer side profile **height 126 mm**
- ▶ Powder coated steel, **silver**

All inclusive sets

Pot-and-pan drawer set

Set comprises:

- ▶ **1** 1 drawer side profile, left and right
- ▶ **2** 2 knock in drawer front connectors
- ▶ **4** 2 cover caps, anthracite plastic with Hettich logo
- ▶ **7** 1 lengthwise railing, left and right, and **5** 2 knock in drawer front connectors **or**
- ▶ **8** 1 TopSide set, including drawer front connectors **or**
- ▶ **9** 1 DesignSide set in glass and . DesignSide adapter, including drawer front connectors
- ▶ **13** 1 rear panel connector, left and right
- ▶ Fixing material

Note: Please order your Actro runner separately, see page 206 - 209

Nominal length mm	Order no. / Article			PU
	lengthwise railing	TopSide	DesignSide	
270	9 150 957		9 150 965	1 set
300	9 150 958		9 150 966	1 set
350	9 150 959		9 150 967	1 set
400	9 150 960	9 150 983	9 150 968	1 set
450	9 150 961	9 150 984	9 150 969	1 set
500	9 150 962	9 150 985	9 150 970	1 set
550	9 150 963	9 150 986	9 150 981	1 set
650	9 150 964	9 150 987	9 150 982	1 set

Flexible sets

Drawer side profile set

Set comprises:

- ▶ **1** 1 drawer side profile, left and right
- ▶ **2** 2 knock in drawer front connectors
- ▶ **4** 2 cover caps, anthracite plastic with Hettich logo
- ▶ Fixing material



Rear panel connector set

- ▶ For wooden rear panel

Set comprises:

- ▶ **13** 1 rear panel connector, left and right
- ▶ Fixing material



Nominal length mm	Order no.	PU
270	9 150 622	1 set
300	9 150 623	1 set
350	9 150 624	1 set
400	9 150 625	1 set
450	9 150 626	1 set
500	9 150 627	1 set
550	9 150 628	1 set
650	9 150 629	1 set

Nominal height mm	Order no.	PU
250	9 150 645	1 set

Lengthwise railing set

Set comprises:

- ▶ **7** 1 lengthwise railing, left and right
- ▶ **5** 2 knock in drawer front connectors



Nominal length mm	Order no.	PU
270	9 150 647	1 set
300	9 150 648	1 set
350	9 150 649	1 set
400	9 150 650	1 set
450	9 150 652	1 set
500	9 150 653	1 set
550	9 150 654	1 set
650	9 150 656	1 set

8 TopSide

Set comprises:

- ▶ 1 TopSide, left and right
- ▶ 2 front connectors for knocking in and for screwing on



Nominal length mm	Order no.	PU
400	9 122 949	1 set
450	9 122 953	1 set
500	9 122 957	1 set
550	9 122 961	1 set
650	9 122 969	1 set

- ▶ Pot-and-pan drawer, height 250 mm, drawer side profile height 126 mm
- ▶ Powder coated steel, silver

9 DesignSide in glass

- ▶ Float glass, clear, with glued on connectors
- ▶ Material 8mm thick
- ▶ **10** DesignSide adapters must be ordered separately



Set comprises:

- ▶ 1 DesignSide with glued on connectors, left and right

Nominal length mm	Order no.	PU
270	9 122 991	1 set
300	9 122 992	1 set
350	9 122 993	1 set
400	9 122 994	1 set
450	9 122 995	1 set
500	9 122 996	1 set
550	9 122 997	1 set
650	9 123 078	1 set

10 DesignSide adapter

- ▶ For combination with **9** DesignSide in glass or, when using a DesignSide in any chosen material, **11** DesignSide connector



Set comprises:

- ▶ 1 DesignSide adapter, front, left and right
- ▶ 1 DesignSide adapter, rear, left and right
- ▶ 2 front connectors for knocking in and for screwing on

Order no.	PU
9 122 978	1 set

11 DesignSide connector

- ▶ For combination with DesignSide in any chosen material
- ▶ For gluing or screwing (Ø 3 x 10)
- ▶ **10** DesignSide adapters must be ordered separately



Set comprises:

- ▶ 1 DesignSide connector, front, left and right
- ▶ 1 DesignSide connector, rear, left and right

Order no.	PU
9 122 998	1/15 set

3 Front panel stabiliser

- ▶ For stabilising wide and/or high front panels
- ▶ Recommended for use in cabinets in widths of 600 mm and over and / or front panel heights of 450 mm and over
- ▶ Plastic, anthracite



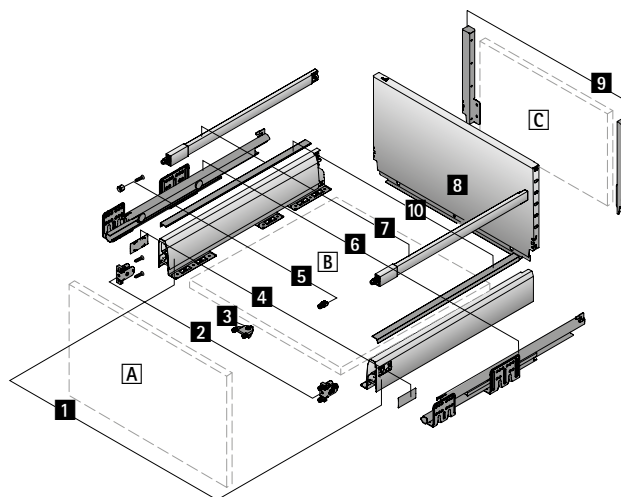
Order no.	PU
9 123 080	1/150 ea.

ArciTech double walled drawer system

- ▶ Pot-and-pan drawer, height 282 mm, drawer side profile height 94 mm
- ▶ Powder coated steel, silver



Exploded diagram



Components

- 1** Drawer side profile, left and right
- 2** Drawer front connector for drawer side profile, 2 each
- 3** Front stabiliser
- 4** Cover cap, 2 each
- 5** Drawer front connector for lengthwise railing, 2 each
- 6** Actro drawer runner, left and right, see page 206 - 209
- 7** Lengthwise railing, left and right
- 8** Steel rear panel

Alternatively:

- C** Wooden rear panel and
- 9** Rear panel connector, left and right

Optional accessories:

- 10** Designer-type profile, see page 190 - 193
- A** Front panel
- B** Bottom panel (material thickness 16 mm)
- C** Wooden rear panel (material thickness 16 mm)

Advice

- ▶ For technical information, see pages 246, 248 - 261
- ▶ Actro drawer runner, see page 206 - 209

ArciTech double walled drawer system



- ▶ Pot-and-pan drawer, **height 282 mm**, drawer side profile **height 94 mm**
- ▶ Powder coated steel, **silver**

All inclusive sets

Pot-and-pan drawer set with lengthwise railing

Set comprises:

- ▶ **1** 1 drawer side profile, left and right
- ▶ **2** 2 knock in drawer front connectors
- ▶ **4** 2 cover caps, anthracite plastic with Hettich logo
- ▶ **7** 1 lengthwise railing, left and right
- ▶ **5** 2 knock in drawer front connectors
- ▶ **9** 1 rear panel connector, left and right
- ▶ Fixing material

Note: Please order your Actro runner separately, see page 206 - 209

Nominal length mm	Order no.	PU
270	9 150 748	1 set
300	9 150 749	1 set
350	9 150 750	1 set
400	9 150 751	1 set
450	9 150 752	1 set
500	9 150 753	1 set
550	9 150 754	1 set
650	9 150 755	1 set

Flexible sets

Drawer side profile set

Set comprises:

- ▶ **1** 1 drawer side profile, left and right
- ▶ **2** 2 knock in drawer front connectors
- ▶ **4** 2 cover caps, anthracite plastic with Hettich logo
- ▶ Fixing material



Rear panel connector set

- ▶ For wooden rear panel

Set comprises:

- ▶ **9** 1 rear panel connector, left and right
- ▶ Fixing material



Nominal length mm	Order no.	PU
270	9 150 613	1 set
300	9 150 614	1 set
350	9 150 615	1 set
400	9 150 616	1 set
450	9 150 618	1 set
500	9 150 619	1 set
550	9 150 620	1 set
650	9 150 621	1 set

Nominal height mm	Order no.	PU
282	9 150 646	1 set

Lengthwise railing set

Set comprises:

- ▶ **7** 1 lengthwise railing, left and right
- ▶ **5** 2 knock in drawer front connectors



3 Front panel stabiliser

- ▶ For stabilising wide and/or high front panels
- ▶ Recommended for use in cabinets in widths of 600 mm and over and / or front panel heights of 450 mm and over
- ▶ Plastic, anthracite



Nominal length mm	Order no.	PU
270	9 150 647	1 set
300	9 150 648	1 set
350	9 150 649	1 set
400	9 150 650	1 set
450	9 150 652	1 set
500	9 150 653	1 set
550	9 150 654	1 set
650	9 150 656	1 set

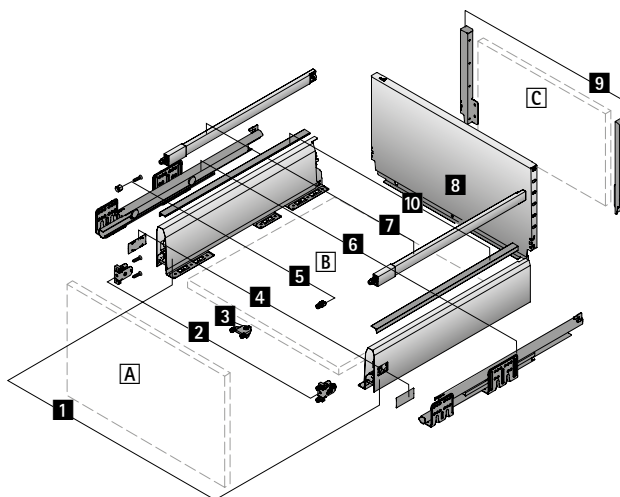
Order no.	PU
9 123 080	1/150 ea.

ArciTech double walled drawer system

- ▶ Pot-and-pan drawer, height 282 mm, drawer side profile height 126 mm
- ▶ Powder coated steel, silver



Exploded diagram



Components

- 1** Drawer side profile, left and right
- 2** Drawer front connector for drawer side profile, 2 each
- 3** Front stabiliser
- 4** Cover cap, 2 each
- 5** Drawer front connector for lengthwise railing, 2 each
- 6** Actro drawer runner, left and right, see page 206 - 209
- 7** Lengthwise railing, left and right
- 8** Steel rear panel

Alternatively:

- C** Wooden rear panel and
- 9** Rear panel connector, left and right

Optional accessories:

- 10** Designer-type profile, see page 190 - 193
- A** Front panel
- B** Bottom panel (material thickness 16 mm)
- C** Wooden rear panel (material thickness 16 mm)

Advice

- ▶ For technical information, see pages 247, 248 - 261
- ▶ Actro drawer runner, see page 206 - 209

ArciTech double walled drawer system



- ▶ Pot-and-pan drawer, **height 282 mm**, drawer side profile **height 126 mm**
- ▶ Powder coated steel, **silver**

All inclusive sets

Pot-and-pan drawer set with lengthwise railing

Set comprises:

- ▶ **1** 1 drawer side profile, left and right
- ▶ **2** 2 knock in drawer front connectors
- ▶ **4** 2 cover caps, anthracite plastic with Hettich logo
- ▶ **7** 1 lengthwise railing, left and right
- ▶ **5** 2 knock in drawer front connectors
- ▶ **9** 1 rear panel connector, left and right
- ▶ Fixing material

Note: Please order your Actro runner separately, see page 206 - 209

Nominal length mm	Order no.	PU
270	9 150 988	1 set
300	9 150 989	1 set
350	9 150 990	1 set
400	9 150 991	1 set
450	9 150 992	1 set
500	9 150 993	1 set
550	9 150 994	1 set
650	9 150 995	1 set

Flexible sets

Drawer side profile set

Set comprises:

- ▶ **1** 1 drawer side profile, left and right
- ▶ **2** 2 knock in drawer front connectors
- ▶ **4** 2 cover caps, anthracite plastic with Hettich logo
- ▶ Fixing material



Rear panel connector set

- ▶ For wooden rear panel

Set comprises:

- ▶ **9** 1 rear panel connector, left and right
- ▶ Fixing material



Nominal length mm	Order no.	PU
270	9 150 622	1 set
300	9 150 623	1 set
350	9 150 624	1 set
400	9 150 625	1 set
450	9 150 626	1 set
500	9 150 627	1 set
550	9 150 628	1 set
650	9 150 629	1 set

Nominal height mm	Order no.	PU
282	9 150 646	1 set

Lengthwise railing set

Set comprises:

- ▶ **7** 1 lengthwise railing, left and right
- ▶ **5** 2 knock in drawer front connectors



3 Front panel stabiliser

- ▶ For stabilising wide and/or high front panels
- ▶ Recommended for use in cabinets in widths of 600 mm and over and / or front panel heights of 450 mm and over
- ▶ Plastic, anthracite



Nominal length mm	Order no.	PU
270	9 150 647	1 set
300	9 150 648	1 set
350	9 150 649	1 set
400	9 150 650	1 set
450	9 150 652	1 set
500	9 150 653	1 set
550	9 150 654	1 set
650	9 150 656	1 set

Order no.	PU
9 123 080	1/150 ea.

ArciTech double walled drawer system

- ▶ Range summary, interior organisation
- ▶ Powder coated steel, silver



OrgaTray 440
for drawers / internal drawers
52 - 53



OrgaTray 570
for drawers / internal drawers
54



OrgaTray 600
for drawers / internal drawers
55



OrgaTray 230
for drawers / internal drawers
56 - 58



OrgaStripe
for drawers / pot-and-pan drawers
59



OrgaStore 400 for pot-and-pan drawers /
internal pot-and-pan drawers
60



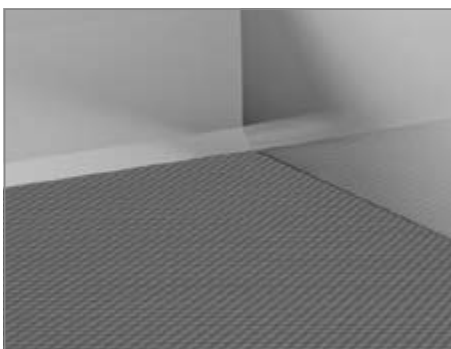
OrgaFlag for pot-and-pan drawers /
internal pot-and-pan drawers
61



OrgaStore 810 for pot-and-pan drawers /
internal pot-and-pan drawers
62 - 63



OrgaStore 230 for pot-and-pan drawers /
internal pot-and-pan drawers
64 - 65



Accessories
66

ArciTech double walled drawer system



- ▶ Interior organisation system for drawers and internal drawers
- ▶ Powder coated steel, silver



- ▶ For general-purpose use
- ▶ Knife holder and/or spice rack can be added, see page 53
- ▶ Plastic, silver

OrgaTray 440

Width mm	Order no. / Depth mm		PU
	370 - 440	441 - 520	
175 - 200	9 194 917	9 194 930	1 ea.
201 - 250	9 194 918	9 194 931	1 ea.
251 - 300	9 194 919	9 194 932	1 ea.
301 - 350	9 194 920	9 194 933	1 ea.
351 - 400	9 194 921	9 194 934	1 ea.
401 - 450	9 194 922	9 194 935	1 ea.
451 - 500	9 194 923	9 194 936	1 ea.
501 - 600	9 194 924	9 194 937	1 ea.
601 - 700	9 194 925	9 194 938	1 ea.
701 - 800	9 194 926	9 194 939	1 ea.
801 - 900	9 194 927	9 194 940	1 ea.
901 - 1000	9 194 928	9 194 941	1 ea.
1091 - 1150	9 194 929	9 194 942	1 ea.

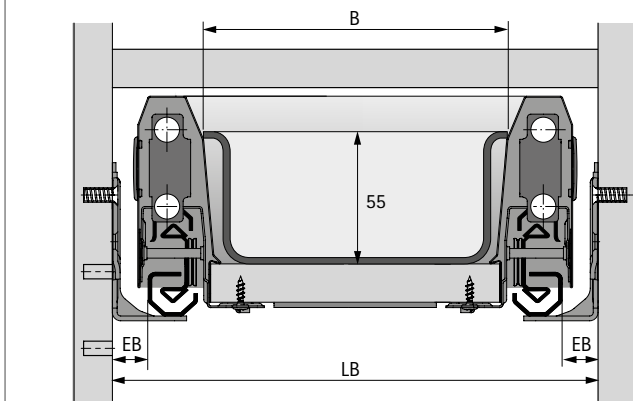
Divider

D	370 - 440												
D	441 - 520												
W	175-200	201-250	251-300	301-350	351-400	401-450	451-500	501-600	601-700	701-800	801-900	901 - 1000	1091-1150
NW	300	350	400	450	500	550	600	700	800	900	1000	1100	1200

* = knife and spice rack can be incorporated

D = Depth W = Width NW = Nominal width

Dimensional drawing



Drawer side profile height 94 mm:

- ▶ Trimmed width (B) = LB - 2 x EB - 47
- ▶ When using edge profiles, see page 66:
Trimmed width (B) = LB - 2 x EB - 51
- ▶ Trimmed depth = Nominal length - 27

Drawer side profile height 126 mm:

- ▶ Trimmed width (B) = LB - 2 x EB - 50.5
- ▶ When using edge profiles, see page 66:
Trimmed width (B) = LB - 2 x EB - 54.5
- ▶ Trimmed depth = Nominal length - 27

ArciTech double walled drawer system

- ▶ Interior organisation system for drawers and internal drawers
- ▶ Powder coated steel, **silver**

Knife holder and spice rack



- ▶ For OrgaTray 440
- ▶ Beech, lacquered

Article	Order no.	PU
1 Knife holder	0 074 430	1 ea.
2 Spice rack, standing, Ø 53 mm	0 044 934	1 ea.

ArciTech double walled drawer system

- ▶ Interior organisation system for drawers and internal drawers
- ▶ Powder coated steel, silver



- ▶ Adapted to standard cabinet body width
- ▶ For 94 mm drawer side profile height
- ▶ Silver plastic, anthracite dividing elements, plastic

Set comprises:

- ▶ 1 plastic cutlery tray
- ▶ Dividing elements for organising drawers in any way (quantity differs depending on width, see illustration of drawer organisation)

OrgaTray 570

Cabinet body width mm	Order no. / Nominal length mm		PU
	450	500	
300	9 183 282*	9 134 975	1 set
350		9 134 976	1 set
400	9 183 283*	9 134 977	1 set
450	9 183 284*	9 134 979	1 set
500	9 183 285*	9 134 980	1 set
600	9 183 287*	9 134 992	1 set
800	9 183 288*	9 134 993	1 set
900		9 134 994	1 set
1000	9 183 289*	9 134 995	1 set

* Not stocked in Australia - available on request

Divider

NL	D	Diagram showing various divider configurations for different widths and depths.									
400	373	[Diagram configurations for 400mm depth]									
450	423	[Diagram configurations for 450mm depth]									
500	473	[Diagram configurations for 500mm depth]									
W	199	249	299	349	399	499	699	799	899		
CW	300	350	400	450	500	600	800	900	1000		

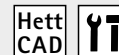
Dividing elements



- ▶ For OrgaTray 570
- ▶ Plastic, anthracite

Nominal length mm	Order no.	PU
68	9 204 203	1/50 ea.
128	9 204 200	1/50 ea.

ArciTech double walled drawer system



- ▶ Interior organisation system for drawers and internal drawers
- ▶ Powder coated steel, silver



- ▶ Variable in width, premounted
For cabinets in widths of 500 mm and over, for drawer side profiles in heights of 94 mm and 126 mm, 2 can be fitted in cabinets in widths of 800 mm and over

Advice:

- ▶ Anti-slip mat must be ordered separately, see page 66
- ▶ Can be combined with knife, spice and foil holder from the OrgaTray 230 range, see page 56 - 57

OrgaTray 600

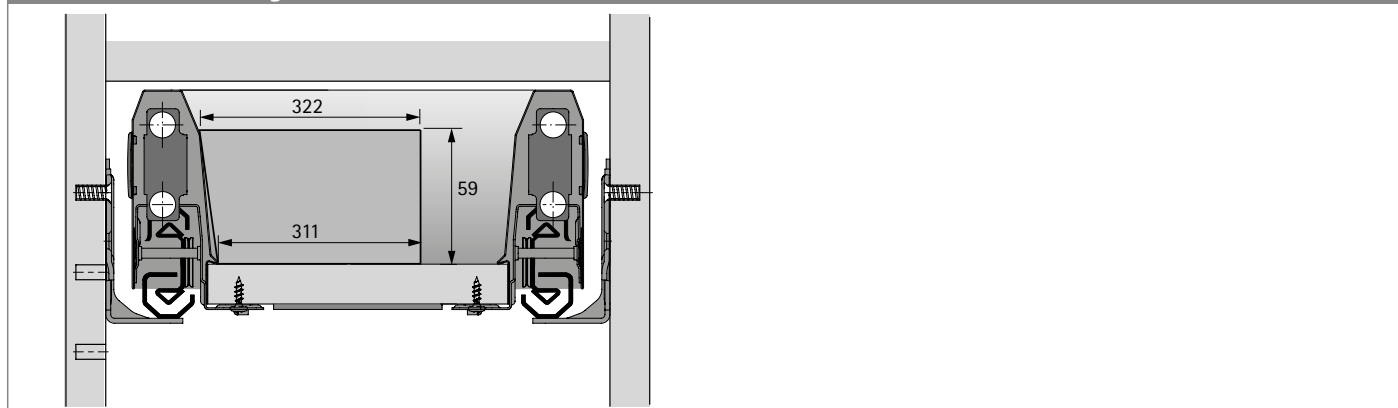
Cabinet body width mm	Order no. / Nominal length mm		PU
	450	500	
500 - 1200	-	9 132 689	1 set

Divider

NL	D	
500	473	
W	322	
CW	500-1200	

NL = Nominal length D = Depth W = Width CW = Cabinet body width

Dimensional drawing



ArciTech double walled drawer system

- ▶ Interior organisation system for drawers and internal drawers
- ▶ Powder coated steel, silver



- ▶ Variable in width
- ▶ A cabinet in a width of up to 1200 mm can be produced by combining several articles

OrgaTray 230, cutlery tray



- ▶ Can be used individually in cabinets in widths from 450 mm - 600 mm
- ▶ Walnut

- Set comprises:
- ▶ 1 cutlery tray 275 mm
 - ▶ 2 bases 137 mm

Nominal length mm	Order no.	PU
450	9 199 583	1 set
500	9 199 598	1 set
550	9 199 603	1 set

OrgaTray 230, cooking utensil tray



- ▶ Can be used individually in cabinets in widths from 350 mm - 400 mm
- ▶ Walnut

- Set comprises:
- ▶ 1 cooking utensil tray 200 mm
 - ▶ 1 base 90 mm
 - ▶ 1 base 110 mm

Nominal length mm	Order no.	PU
450	9 199 584	1 set
500	9 199 599	1 set
550	9 199 604	1 set

OrgaTray 230, roll holder



- ▶ Only in combination with cutlery or cooking utensil tray
- ▶ Walnut

- Set comprises:
- ▶ 1 roll holder 100 mm
 - ▶ 1 base 100 mm

Nominal length mm	Order no.	PU
450	9 199 585	1 set
500	9 199 600	1 set
550	9 199 605	1 set

ArciTech double walled drawer system

- ▶ Interior organisation system for drawers and internal drawers
- ▶ Powder coated steel, **silver**

OrgaTray 230, spice rack



- ▶ Only in combination with cutlery or cooking utensil tray
- ▶ Walnut

Set comprises:

- ▶ 1 spice step 150 mm
- ▶ 1 base 150 mm

Nominal length mm	Order no.	PU
450	9 199 586	1 set
500	9 199 601	1 set
550	9 199 606	1 set

OrgaTray 230, knife holder



- ▶ Only in combination with cutlery or cooking utensil tray
- ▶ Walnut

Set comprises:


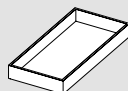
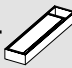
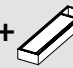
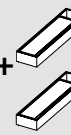
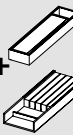
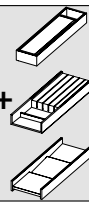


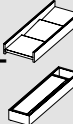
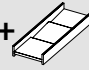
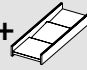
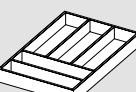
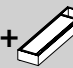
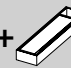
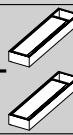
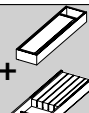
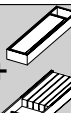
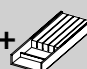
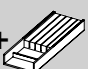
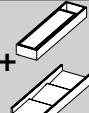
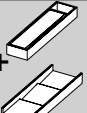
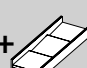

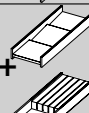
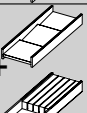



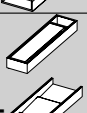
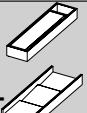
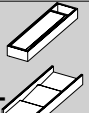
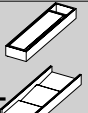
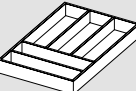
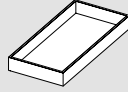
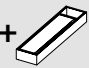
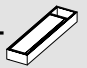
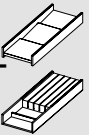
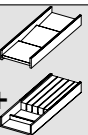
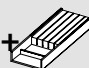

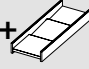
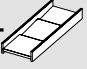
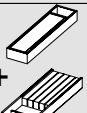
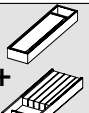
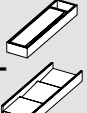
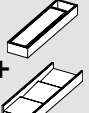
- ▶ 1 knife holder 150 mm
- ▶ 1 base 150 mm

Nominal length mm	Order no.	PU
450	9 199 597	1 set
500	9 199 602	1 set
550	9 199 617	1 set

ArciTech double walled drawer system

- ▶ Interior organisation system for drawers and internal drawers
- ▶ Powder coated steel, silver

Possible combinations

	350	400	450	500	550	600	800	900	1000	1200
 + →										
										
										
 + →										
										
										
										
										
 +  + →										
										
										
										
										

ArciTech double walled drawer system

- ▶ Interior organisation system for drawers and pot-and-pan drawers
- ▶ Powder coated steel, silver



- ▶ Flexible organiser system
- ▶ The self adhesive strips can be used in virtually any drawer
- ▶ The cross partitions and dividers in a thickness of 4 mm provide plenty of scope for individually tailored organisation

OrgaStripe profile



- ▶ For sticking onto coated engineered wood, steel and aluminium
- ▶ Length 1100 mm
- ▶ Plastic

Order no.	PU
9 203 466	30 ea.

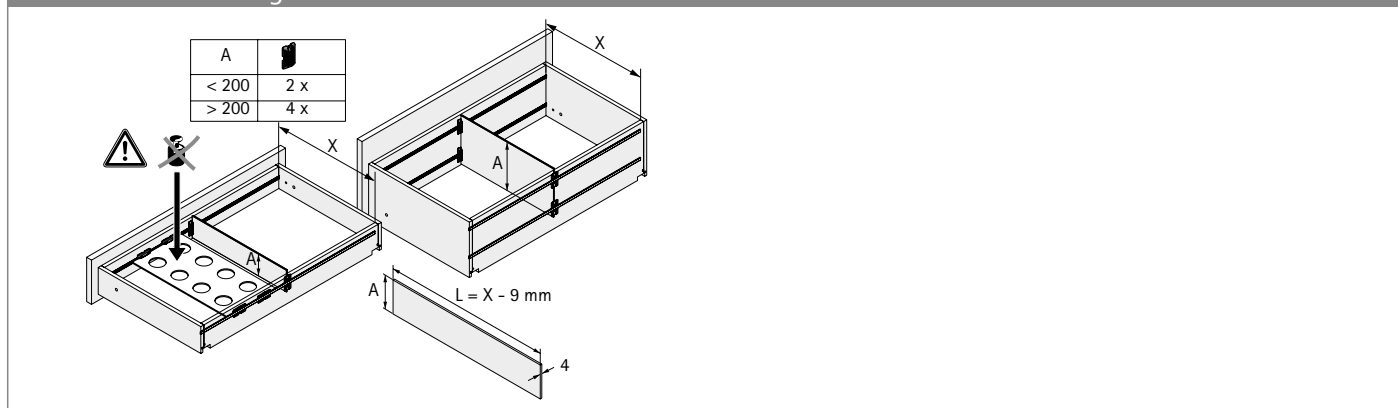
OrgaClip



- ▶ For installing into the OrgaStripe profile
- ▶ For 4 mm thick cross partition
- ▶ Material of cross partition can be freely selected
- ▶ Infinitely adjustable in the profile
- ▶ Plastic

Order no.	PU
9 203 469	60 ea.

Dimensional drawing



ArciTech double walled drawer system

- ▶ Interior organisation system for pot-and-pan drawers and internal pot-and-pan drawers
- ▶ Powder coated steel, silver



- ▶ For pot-and-pan drawer or internal pot-and-pan drawer with railing
- ▶ Crosswise railings and lengthwise dividers must be ordered separately
- ▶ It is recommended to fit an anti-slip mat

OrgaStore 400 customised width



- ▶ Suitable for customised cabinet body widths
- ▶ Crosswise railing, adapter and lengthwise divider must be ordered separately
- ▶ The crosswise railing is 2000 mm long and can be cut to any length
- ▶ Adapter, plastic, anthracite

Article	Length mm	Order no.	PU
Crosswise railing	2000	9 182 706	1 ea.
Adapter		9 182 222	1/30 ea.

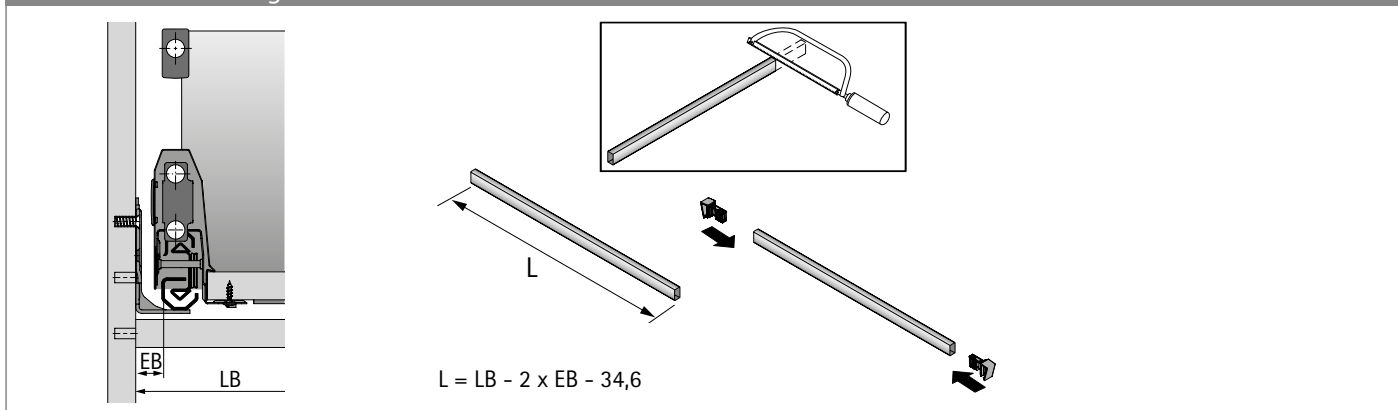
OrgaStore 400, lengthwise divider



- ▶ Plastic, anthracite

Order no.	PU
9 182 225	1/15 ea.

Dimensional drawing



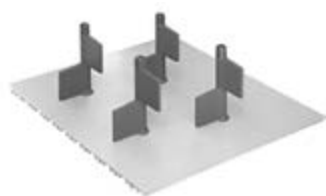
ArciTech double walled drawer system

- ▶ Interior organisation system for pot-and-pan drawers and internal pot-and-pan drawers
- ▶ Powder coated steel, silver



- ▶ For inserting into the pot-and-pan drawer
- ▶ All cabinet body widths possible by combining basic and upgrade set

OrgaFlag basic set



- ▶ Adapted to standard cabinet body width
- ▶ Plastic, grey / anthracite

Set comprises:

- ▶ Perforated bases with non-slip coating
- ▶ Dividing elements

Cabinet body width mm	Order no. / Nominal length mm		PU
	450	500	
600	9 189 409	9 199 902	1 set
900	9 199 901	9 199 903	1 set

OrgaFlag upgrade set




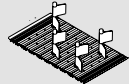
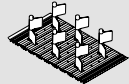

- ▶ Adding width to basic set
- ▶ Plastic, grey / anthracite

Set comprises:

- ▶ 2 perforated bases with non slip coating
- ▶ 1 dividing element

Cabinet body width mm	Order no. / Nominal length mm		PU
	450	500	
100	9 189 410	9 199 904	1 set

Possible combinations

					
	X	600 mm	900 mm	100 mm	
300		1			
400		1			
450		1			
500		1			
600		1			
800		1			
900			1	2	
1000			1	1	
1200			1	3	

ArciTech double walled drawer system

- ▶ Interior organisation system for pot-and-pan drawers and internal pot-and-pan drawers
- ▶ Powder coated steel, silver



- ▶ Customised widths can be produced by cutting the profile to size
- ▶ Can be used for drawer side profile heights of 94 mm and 126 mm
- ▶ Plastic elements, anthracite

Set comprises:

- ▶ 1 aluminium profile with plastic adapters
- ▶ Plastic dividing elements

OrgaStore 810 divider



- ▶ Height 125 mm
- ▶ Plastic anthracite

Order no.	PU
9 182 231	1/15 ea.

OrgaStore 810 adapter



- ▶ Height 125 mm
- ▶ Plugs onto aluminium profile without the need for tools
- ▶ 2 adapters are required for a set
- ▶ Plastic anthracite

Order no.	PU
9 182 234	1/30 ea.

OrgaStore 810 aluminium profile



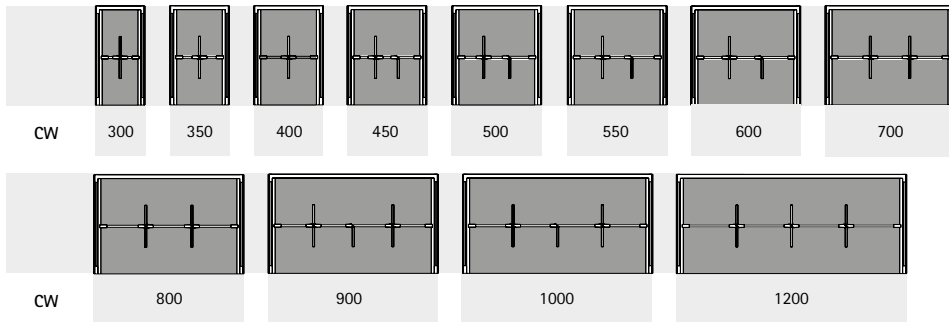
- ▶ Height 120 mm
- ▶ Length 2000 mm
- ▶ For cutting to length
- ▶ Adapters must be ordered separately
- ▶ Silver

Order no.	PU
9 182 247	1 ea.

ArciTech double walled drawer system

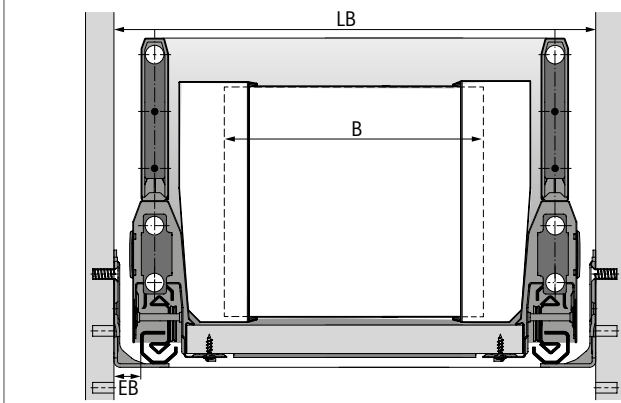
- ▶ Interior organisation system for pot-and-pan drawers and internal pot-and-pan drawers
- ▶ Powder coated steel, silver

Divider



CW = Cabinet body width

Dimensional drawing



▶ $B = LB - 2 \times EB - 78$

ArciTech double walled drawer system

- ▶ Interior organisation system for pot-and-pan drawers and internal pot-and-pan drawers
- ▶ Powder coated steel, silver



- ▶ Can be used in any way by combining different dividing elements with the perforated base

OrgaStore 230



- ▶ Adapted to standard cabinet body width
- ▶ Can be cut to any chosen length
- ▶ Walnut in matt lacquered finish
- ▶ Dividing elements must be ordered separately

Cabinet body width mm	Order no. / Nominal length mm		PU
	500	650	
600	9 199 670		1 ea.
800	9 199 671		1 ea.
900	9 199 672		1 ea.
1000	9 199 673		1 ea.
1200		9 199 680	1 ea.

OrgaStore 230 dividing rod



- ▶ Walnut

Order no.	PU
9 199 683	4 ea.

OrgaStore 230, angular divider



- ▶ Angular divider with premounted fixing pins
- ▶ 93 x 93 x 127 mm
- ▶ Walnut

Order no.	PU
9 199 682	2 ea.

- ▶ Interior organisation system for pot-and-pan drawers and internal pot-and-pan drawers
- ▶ Powder coated steel, silver

OrgaStore 230, cross shaped divider



- ▶ Cross shaped divider with premounted fixing pins
- ▶ 179 x 179 x 127 mm
- ▶ Walnut

Order no.	PU
9 199 684	1 ea.

OrgaStore 230, cross partition



- ▶ Cross partition with premounted fixing pins
- ▶ 107 x 127 mm
- ▶ Walnut

Order no.	PU
9 199 674	1 ea.

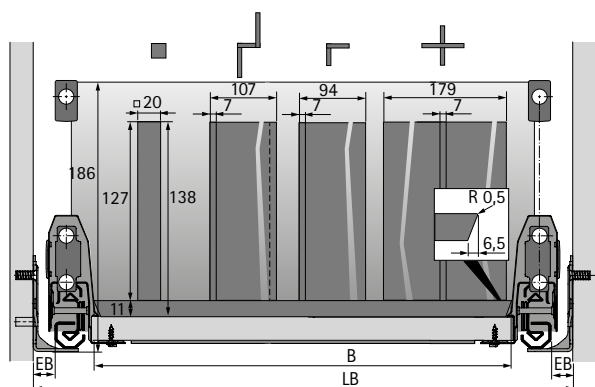
OrgaStore 230, container



- ▶ Container, small
- ▶ 236 x 261 x 127 mm
- ▶ Walnut

Width x depth x height mm	Order no.	PU
236 x 261 x 127	9 199 685	1 ea.
236 x 472 x 127	9 199 686	1 ea.

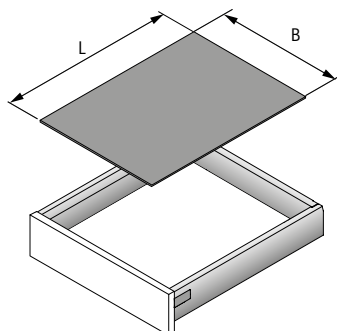
Dimensional drawing



- ▶ Trimmed width (B) = LB - 2 x EB - 54
- ▶ Trimmed depth = Nominal length (NL) - 27

- ▶ Interior organisation
- ▶ Powder coated steel, silver

Anti-slip mat



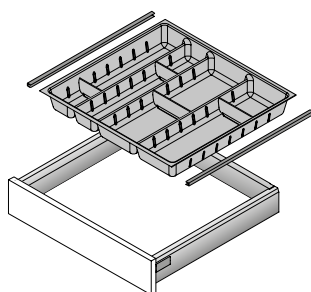
- ▶ For inserting into the drawer or pot-and-pan drawer
- ▶ 5 m roll
- ▶ Plastic, anthracite

Advice:

- ▶ Trimmed width (B) = inside cabinet body width - 2 x EB - 62
- ▶ Cut length (L) = nominal length - 27

Nominal length mm	Order no.	PU
650	9 209 582	1 ea.

Edge profile



- ▶ For fitting to side, width of interior organisation must be reduced by 4 mm
- ▶ Can be shortened as required
- ▶ Plastic, chrome look

Order no.	PU
9 135 408	1 set

ArciTech double walled drawer system

- ▶ Range summary – solutions with bottom cutout
- ▶ Powder coated steel, silver



OrgaTray 510
for drawers / pot-and-pan drawers

68



Banio
for drawers / pot-and-pan drawers

69



Metal surround for U bend cutout
for drawers / pot-and-pan drawers

70

ArciTech double walled drawer system

- ▶ Solutions with bottom cutout
- ▶ Powder coated steel, silver

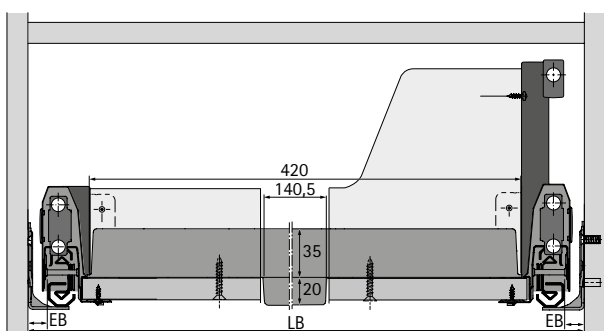


- ▶ Variable in width
- ▶ From 550 mm cabinet body width and 350 mm nominal length
- ▶ Plastic, grey

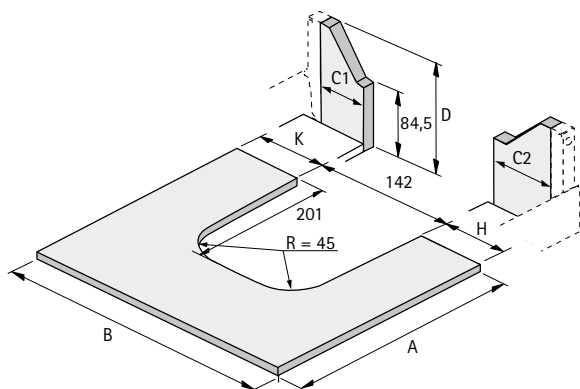
OrgaTray 510

Order no.	PU
9 207 045	1 ea.

Dimensional drawing



Dimensions for cutting to size



- ▶ Dimension A = NL - 24.5
- ▶ Dimension B = LB - 2 x EB - 52.5
- ▶ Dimension C1 = K - 6
- ▶ Dimension C2 = H - 6
- ▶ Dimension D = system height 94 and 126 - 9.5
- ▶ Dimension D = system height 186 to 282 - 10

ArciTech double walled drawer system

- ▶ Solutions with bottom cutout
- ▶ Powder coated steel, silver



- ▶ For drawer or pot-and-pan drawer
- ▶ Can be used for nominal lengths up to 500 mm
- ▶ Recommended for use with cabinet body widths of 600 mm and over
- ▶ Frame height 87 mm in total
- ▶ Frame set and container set must be ordered separately

Banio frame set



- ▶ Plastic, grey

Order no.	PU
9 153 387	1 set

Banio container set



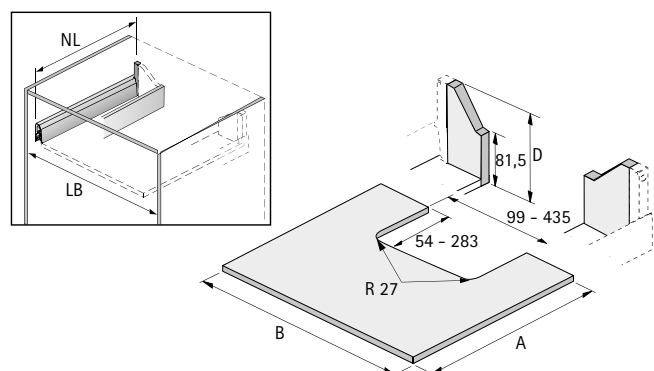
- ▶ The set comprises 3 containers
- ▶ 84 mm x 84 mm / 84 mm x 168 mm / 84 mm x 252 mm
- ▶ Plastic, translucent white

Set comprises:

- ▶ 3 trays, translucent plastic

Order no.	PU
9 153 388	1 set

Dimensions for cutting to size



- ▶ Dimension A = NL - 24.5
- ▶ Dimension B = LB - 2 x EB - 52.5
- ▶ Dimension D = system height 94 and 126 - 9.5
- ▶ Dimension D = system height 186 to 282 - 10

ArciTech double walled drawer system

- ▶ Solutions with bottom cutout
- ▶ Powder coated steel, silver

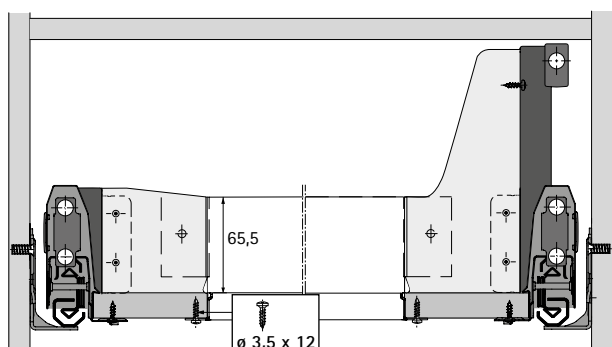


- ▶ For utilising the space below the U bend
- ▶ For drawers and pot-and-pan drawers

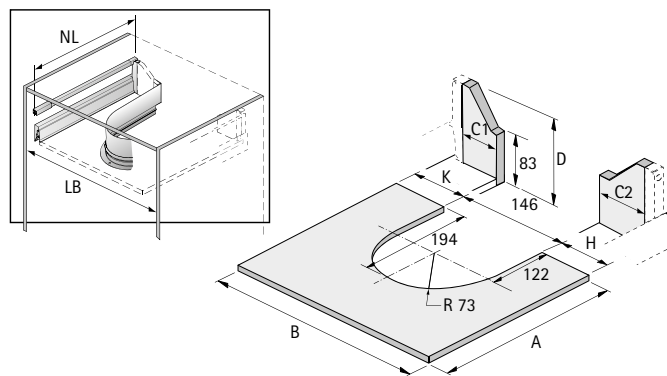
Metal surround for U bend cutout

Order no.	PU
9 204 282	1 ea.

Dimensional drawing



Dimensions for cutting to size



- ▶ Dimension A = NL - 24,5
- ▶ Dimension B = LB - 2 x EB - 52,5
- ▶ Dimension C1 = K - 6
- ▶ Dimension C2 = H - 6
- ▶ Dimension D = system height 94 and 126 - 9,5
- ▶ Dimension D = system height 186 to 282 - 10

ArciTech double walled drawer system

- ▶ Range summary - set pack / bulk packaging
- ▶ Powder coated steel, white



Drawer, height 78 mm

74- 75



Drawer, height 94 mm

76 - 79



Internal drawer, height 94 mm

76 - 79



Drawer, height 126 mm

80 - 82



Internal drawer, height 126 mm

80 - 82



Pot-and-pan drawer, height 186 mm
Drawer side profile height 94 mm

84 - 88



Internal pot-and-pan drawer, height 186 mm
Drawer side profile height 94 mm

84 - 88



Pot-and-pan drawer, height 186 mm
Drawer side profile height 126 mm

90 - 91



Internal pot-and-pan drawer, height 186 mm
Drawer side profile height 126 mm

90 - 91



Pot-and-pan drawer, height 218 mm
Drawer side profile height 94 mm

92 - 95



Internal pot-and-pan drawer, height 218 mm
Drawer side profile height 94 mm

92 - 95



Pot-and-pan drawer, height 218 mm
Drawer side profile height 126 mm

96 - 99

ArciTech double walled drawer system



- ▶ Range summary – set pack / bulk packaging
- ▶ Powder coated steel, white



Internal pot-and-pan drawer, height 218 mm
Drawer side profile height 126 mm
96 - 99



Pot-and-pan drawer, height 250 mm
Drawer side profile height 94 mm
100 - 101



Pot-and-pan drawer, height 250 mm
Drawer side profile height 126 mm
102 - 104



Pot-and-pan drawer, height 282 mm
Drawer side profile height 94 mm
106 - 107



Pot-and-pan drawer, height 282 mm
Drawer side profile height 126 mm
108 - 109



Interior organisation for drawers / internal
drawers, range summary
111



Interior organisation for pot-and-pan drawers /
internal pot-and-pan drawers, range summary
111



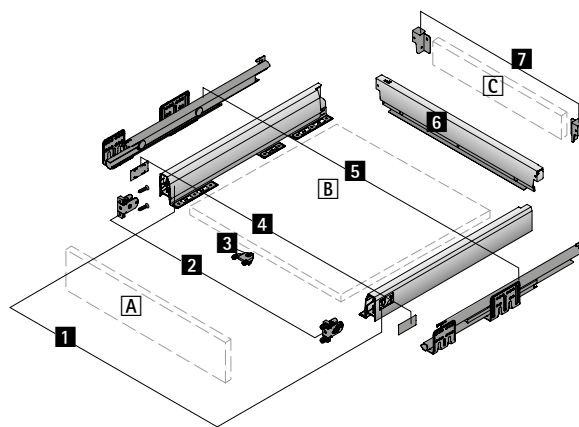
Solutions for drawers / pot-and-pan drawers
with bottom cutout, range summary
127

ArciTech double walled drawer system

- ▶ Drawer height 78 mm
- ▶ Powder coated steel, white



Exploded diagram



Components

- 1** Drawer side profile, left and right
- 2** Drawer front connector for drawer side profile, 2 each
- 3** Front stabiliser
- 4** Cover cap, 2 each
- 5** Actro drawer runner, left and right, see page 206 - 209
- 6** Steel rear panel

Alternatively:

- C** Wooden rear panel and
- 7** Rear panel connector, left and right
- A** Front panel
- B** Bottom panel (material thickness 16 mm)
- C** Wooden rear panel (material thickness 16 mm)

Advice

- ▶ For technical information, see pages 224, 248 - 261
- ▶ Actro drawer runner, see page 206 - 209

- ▶ Drawer height **78 mm**
- ▶ Powder coated steel, **white**

All inclusive sets

Drawer set

- ▶ E.g. for such applications as under-oven drawer

Set comprises:

- ▶ **1** 1 drawer side profile, left and right
- ▶ **2** 2 knock in drawer front connectors
- ▶ **4** 2 cover caps, white plastic with Hettich logo
- ▶ **7** 1 rear panel connector, left and right
- ▶ Fixing material

Note: Please order your Actro runner separately, see page 206 - 209

Nominal length mm	Order no.	PU
500	9 234 492	1 set

Flexible sets

Drawer side profile set

- ▶ E.g. for such applications as under-oven drawer

Set comprises:

- ▶ **1** 1 drawer side profile, left and right
- ▶ **2** 2 knock in drawer front connectors
- ▶ **4** 2 cover caps, white plastic with Hettich logo
- ▶ Fixing material



Rear panel connector set

- ▶ For wooden rear panel

Set comprises:

- ▶ **7** 1 rear panel connector, left and right
- ▶ Fixing material



Nominal height mm	Order no.	PU
78	9 150 069	1 set

Nominal length mm	Order no.	PU
500	9 234 470	1 set

3 Front panel stabiliser

- ▶ For stabilising wide front panels
- ▶ Recommended for use with cabinets in a width of 600 mm and over
- ▶ Plastic, anthracite



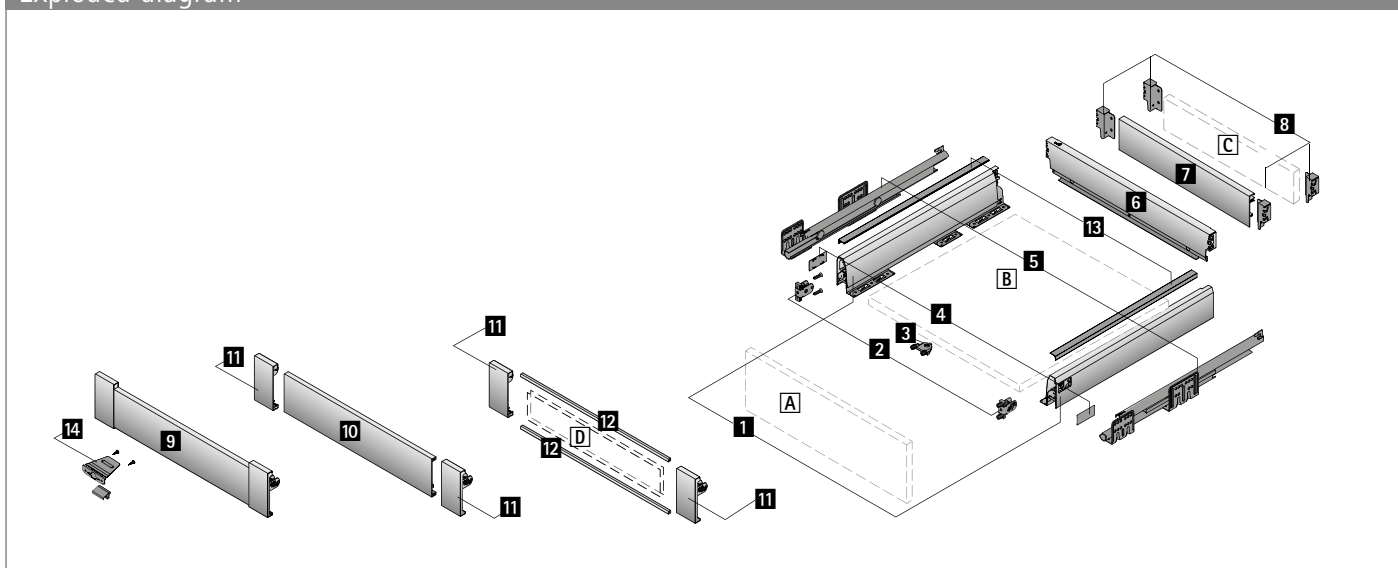
Order no.	PU
9 123 080	1/150 ea.

ArciTech double walled drawer system

- ▶ Drawer / internal drawer, height 94 mm
- ▶ Powder coated steel, white



Exploded diagram



Components

- 1** Drawer side profile, left and right
- 2** Drawer front connector for drawer side profile, 2 each
- 3** Front stabiliser
- 4** Cover cap, 2 each
- 5** Actro drawer runner, left and right, see page 206 - 209

Alternatively:

- 7** Aluminium rear panel or **C** Wooden rear panel and
- 8** Rear panel connector, left and right
- 9** Front panel for internal drawer

Alternatively 1:

- 10** Aluminium front panel and
- 11** Connector for front panel

Alternatively 2:

- D** Front panel in any chosen material and
- 11** Connector for front panel and
- 12** Profile for front

Optional accessories:

- 13** Designer-type profile
- 14** Catch for internal front panel

- A** Front panel
- B** Bottom panel (material thickness 16 mm)
- C** Wooden rear panel (material thickness 16 mm)
- D** Front panel in any chosen material (material thickness 6 mm)

Advice

- ▶ For technical information, see pages 225 - 226, 248 - 261
- ▶ Actro drawer runner, see page 206 - 209

ArciTech double walled drawer system



- ▶ Drawer / internal drawer, **height 94 mm**
- ▶ Powder coated steel, **white**

All inclusive sets

Drawer set

Set comprises:

- ▶ **1** 1 drawer side profile, left and right
- ▶ **2** 2 knock in drawer front connectors
- ▶ **4** 2 cover caps, white plastic with Hettich logo
- ▶ **8** 1 rear panel connector, left and right
- ▶ Fixing material

Note: Please order your Actro runner separately, see page 206 - 209

Nominal length mm	Order no.	PU
270	9 149 294	1 set
300	9 149 295	1 set
350	9 149 297	1 set
400	9 149 299	1 set
450	9 149 300	1 set
500	9 149 302	1 set
550	9 149 304	1 set
650	9 149 306	1 set

Flexible sets

Drawer side profile set

Set comprises:

- ▶ **1** 1 drawer side profile, left and right
- ▶ **2** 2 knock in drawer front connectors
- ▶ **4** 2 cover caps, white plastic with Hettich logo
- ▶ Fixing material



Rear panel connector set

- ▶ For wooden or **7** Aluminium rear panel

Set comprises:

- ▶ **8** 1 rear panel connector, left and right
- ▶ Fixing material



Nominal length mm	Order no.	PU
270	9 149 261	1 set
300	9 149 262	1 set
350	9 149 263	1 set
400	9 149 264	1 set
450	9 149 265	1 set
500	9 149 266	1 set
550	9 149 268	1 set
650	9 149 269	1 set

Nominal height mm	Order no.	PU
94	9 149 279	1 set

7 Aluminium rear panel

- ▶ For variable or standard cabinet body width
- ▶ For cutting to length
- ▶ Length 2000 mm
- ▶ Powder coated, white
- ▶ Rear panel connector set must be ordered separately



Order no.	PU
9 192 202	1 ea.

3 Front panel stabiliser

- ▶ For stabilising wide and/or high front panels
- ▶ Recommended for use in cabinets in widths of 600 mm and over and / or front panel heights of 450 mm and over
- ▶ Plastic, anthracite



Order no.	PU
9 123 080	1/150 ea.

ArciTech double walled drawer system



- ▶ Drawer / internal drawer, height 94 mm
- ▶ Powder coated steel, white

Components

1 Drawer side profile



Nominal length mm	Order no. / Drawer side		PU
	left	right	
400	9 121 245	9 121 246	15 ea.
450	9 121 247	9 121 248	15 ea.
500	9 121 249	9 121 250	15 ea.
550	9 121 251	9 121 252	15 ea.

2 Drawer front connector for drawer side profile

- ▶ Steel / plastic



Mounting option	Order no.	PU
for screwing on	9 123 011	1/150 ea.
for knocking in	9 123 010	1/150 ea.

3 Front panel stabiliser

- ▶ For stabilising wide and/or high front panels
- ▶ Recommended for use in cabinets in widths of 600 mm and over and / or front panel heights of 450 mm and over
- ▶ Plastic, anthracite



Order no.	PU
9 123 080	1/150 ea.

4 Cover cap

- ▶ Plastic
- ▶ Cover cap with customised imprint available on request



Finish	Order no.	PU
White with Hettich logo	9 123 006	1/300 ea.
White	9 123 001	1/300 ea.
Chrome look with Hettich logo	9 123 008	1/300 ea.
Chrome look	9 123 003	1/300 ea.

7 Aluminium rear panel

- ▶ For variable or standard cabinet body width
- ▶ For cutting to length
- ▶ Length 2000 mm
- ▶ Powder coated, white
- ▶ **8** Rear panel connectors must be ordered separately



Order no.	PU
9 192 202	1 ea.

8 Rear panel connector

- ▶ For wooden or **7** Aluminium rear panel



Nominal height mm	Order no. / Drawer side		PU
	left	right	
94	9 121 829	9 121 830	30 ea.

- ▶ Drawer / internal drawer, **height 94 mm**
- ▶ Powder coated steel, **white**

Front panel for internal drawer

10 Aluminium front panel

- ▶ For variable or standard cabinet body width
- ▶ For cutting to length
- ▶ Length 2000 mm
- ▶ Powder coated, white
- ▶ **11** Connectors for the front panel must be ordered separately



Order no.	PU
9 192 206	1 ea.

11 Connector for front panel

- ▶ For combination with **10** Aluminium front or, when using a front panel in any chosen material, **12** Profile for front
- ▶ When using any chosen material with a total load of up to 60 kg



Set comprises:

- ▶ 1 connector for front panel, left and right

Order no.	PU
9 123 084	1/15 set

12 Profile for front

- ▶ For front panel in any chosen material
- ▶ For cutting to length, 2 profiles per front panel
- ▶ Length 2000 mm
- ▶ Aluminium, silver anodised
- ▶ **11** Connectors must be ordered separately



Order no.	PU
9 192 208	1 ea.

14 Catch for internal front panel

- ▶ For screwing on
- ▶ Plastic, grey



Set comprises:

- ▶ 1 catch
- ▶ 1 profile height increaser
- ▶ Fixing material

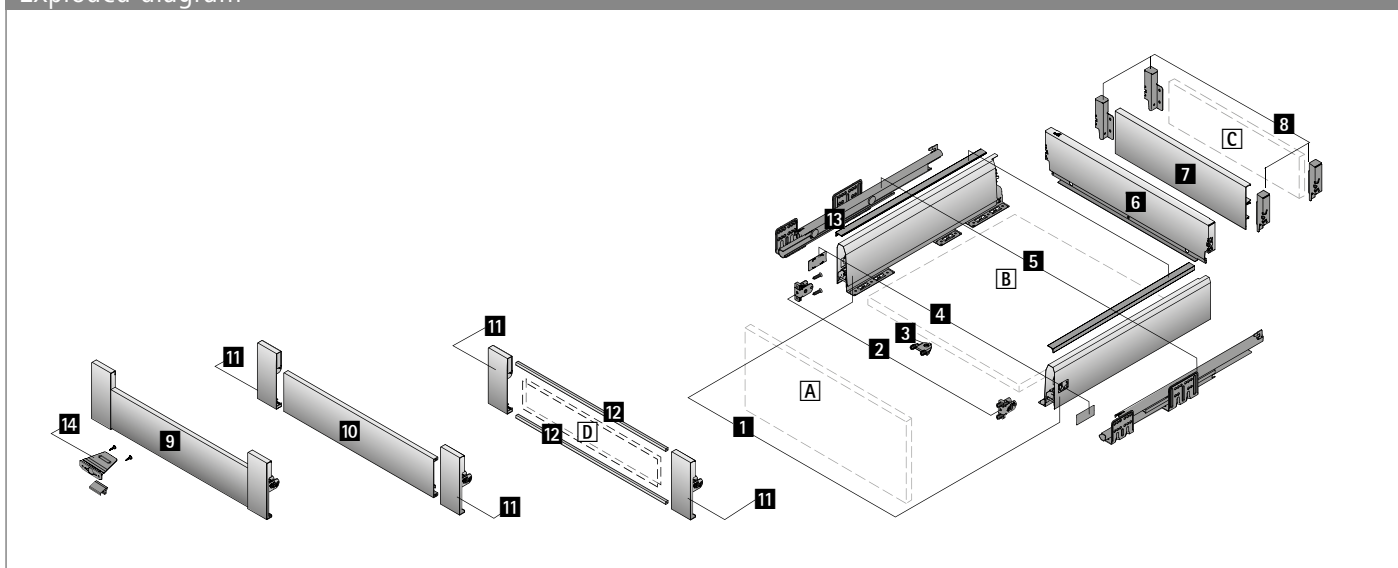
Order no.	PU
9 235 835	1 set

ArciTech double walled drawer system

- ▶ Drawer / internal drawer, height 126 mm
- ▶ Powder coated steel, white



Exploded diagram



Components

- 1** Drawer side profile, left and right
- 2** Drawer front connector for drawer side profile, 2 each
- 3** Front stabiliser
- 4** Cover cap, 2 each
- 5** Actro drawer runner, left and right, see page 206 - 209

Alternatively:

- 7** Aluminium rear panel or **C** Wooden rear panel and
- 8** Rear panel connector, left and right
- 9** Front panel for internal drawer

Alternatively 1:

- 10** Aluminium front panel and
- 11** Connector for front panel

Alternatively 2:

- D** Front panel in any chosen material and
- 11** Connector for front panel and
- 12** Profile for front

Optional accessories:

- 13** Designer-type profile
- 14** Catch for internal front panel

- A** Front panel
- B** Bottom panel (material thickness 16 mm)
- C** Wooden rear panel (material thickness 16 mm)
- D** Front panel in any chosen material (material thickness 6 mm)

Advice

- ▶ For technical information, see pages 227 - 228, 248 - 261
- ▶ Actro drawer runner, see page 206 - 209

ArciTech double walled drawer system



- ▶ Drawer / internal drawer, **height 126 mm**
- ▶ Powder coated steel, **white**

All inclusive sets

Drawer set

Set comprises:

- ▶ **1** 1 drawer side profile, left and right
- ▶ **2** 2 knock in drawer front connectors
- ▶ **4** 2 cover caps, white plastic with Hettich logo
- ▶ **8** 1 rear panel connector, left and right
- ▶ Fixing material

Note: Please order your Actro runner separately, see page 206 - 209

Nominal length mm	Order no.	PU
270	9 149 307	1 set
300	9 149 308	1 set
350	9 149 309	1 set
400	9 149 310	1 set
450	9 149 311	1 set
500	9 149 312	1 set
550	9 149 313	1 set
650	9 149 314	1 set

Flexible sets

Drawer side profile set

Set comprises:

- ▶ **1** 1 drawer side profile, left and right
- ▶ **2** 2 knock in drawer front connectors
- ▶ **4** 2 cover caps, white plastic with Hettich logo
- ▶ Fixing material



Rear panel connector set

- ▶ For wooden or **7** Aluminium rear panel

Set comprises:

- ▶ **8** 1 rear panel connector, left and right
- ▶ Fixing material



Nominal length mm	Order no.	PU
270	9 149 270	1 set
300	9 149 272	1 set
350	9 149 273	1 set
400	9 149 274	1 set
450	9 149 275	1 set
500	9 149 276	1 set
550	9 149 277	1 set
650	9 149 278	1 set

Nominal height mm	Order no.	PU
126	9 149 280	1 set

7 Aluminium rear panel

- ▶ For variable or standard cabinet body width
- ▶ For cutting to length
- ▶ Length 2000 mm
- ▶ Powder coated, white
- ▶ Rear panel connector set must be ordered separately



Order no.	PU
9 192 196	1 ea.

3 Front panel stabiliser

- ▶ For stabilising wide and/or high front panels
- ▶ Recommended for use in cabinets in widths of 600 mm and over and / or front panel heights of 450 mm and over
- ▶ Plastic, anthracite



Order no.	PU
9 123 080	1/150 ea.

- ▶ Drawer / internal drawer, **height 126 mm**
- ▶ Powder coated steel, **white**

Front panel for internal drawer

10 Aluminium front panel

- ▶ For variable or standard cabinet body width
- ▶ For cutting to length
- ▶ Length 2000 mm
- ▶ Powder coated, white
- ▶ **11** Connectors for the front panel must be ordered separately



Order no.	PU
9 192 206	1 ea.

12 Profile for front

- ▶ For front panel in any chosen material
- ▶ For cutting to length, 2 profiles per front panel
- ▶ Length 2000 mm
- ▶ Aluminium, silver anodised
- ▶ **11** Connectors must be ordered separately



Order no.	PU
9 192 208	1 ea.

11 Connector for front panel

- ▶ For combination with **10** Aluminium front or, when using a front panel in any chosen material, **12** Profile for front
- ▶ When using any chosen material with a total load of up to 60 kg



Set comprises:

- ▶ 1 connector for front panel, left and right

Order no.	PU
9 123 087	1/15 set

14 Catch for internal front panel

- ▶ For screwing on
- ▶ Plastic, grey



Set comprises:

- ▶ 1 catch
- ▶ 1 profile height increaser
- ▶ Fixing material

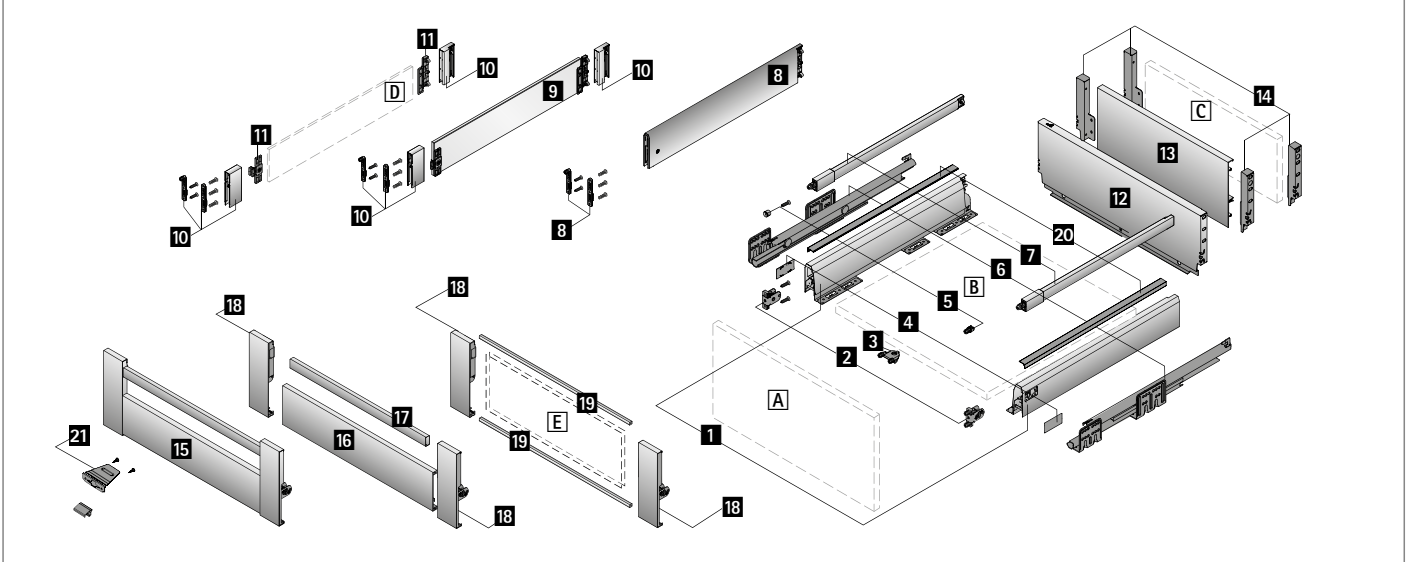
Order no.	PU
9 235 835	1 set

ArciTech double walled drawer system

- ▶ Pot-and-pan drawer / Internal pot-and-pan drawer, height 186 mm, drawer side profile height 94 mm
- ▶ Powder coated steel, white



Exploded diagram



Components

- 1** Drawer side profile, left and right
- 2** Drawer front connector for drawer side profile, 2 each
- 3** Front stabiliser
- 4** Cover cap, 2 each
- 5** Drawer front connector for lengthwise railing, 2 each
- 6** Actro drawer runner, left and right, see page 206 - 209
- 7** Lengthwise railing, left and right

Alternatively 1:

- 8** TopSide

Alternatively 2:

- 9** DesignSide in glass and
- 10** DesignSide adapter

Alternatively 3:

- D** DesignSide in any chosen material and
- 10** DesignSide adapter and
- 11** DesignSide connector

12 Steel rear panel

Alternatively:

- 13** Aluminium rear panel or **C** Wooden rear panel and
- 14** Rear panel connector, left and right

- 15** Front panel for internal pot-and-pan drawer

Alternatively 1:

- 16** Aluminium front panel and
- 17** Railing for aluminium front panel and
- 18** Connector for front panel

Alternatively 2:

- E** Front panel in any chosen material and
- 18** Connector for front panel and
- 19** Profile for front

Optional accessories:

- 20** Designer-type profile
- 21** Catch for internal front panel
- A** Front panel
- B** Bottom panel (material thickness 16 mm)
- C** Wooden rear panel (material thickness 16 mm)
- D** DesignSide in any chosen material (material thickness 8 mm)
- E** Front panel in any chosen material (material thickness 6 mm)

Advice

- ▶ For technical information, see pages 229 - 232, 248 - 261
- ▶ Actro drawer runner, see page 206 - 209

ArciTech double walled drawer system



- ▶ Pot-and-pan drawer / Internal pot-and-pan drawer, height 186 mm, drawer side profile height 94 mm
- ▶ Powder coated steel, white

All inclusive sets

Pot-and-pan drawer set

Set comprises:

- ▶ **1** 1 drawer side profile, left and right
- ▶ **2** 2 knock in drawer front connectors
- ▶ **4** 2 cover caps, white plastic with Hettich logo
- ▶ **7** 1 lengthwise railing, left and right, and **5** 2 knock in drawer front connectors **or**
- ▶ **8** 1 TopSide set, including drawer front connectors **or**
- ▶ **9** 1 DesignSide set in glass and . DesignSide adapter, including drawer front connectors
- ▶ **14** 1 rear panel connector, left and right
- ▶ Fixing material

Note: Please order your Actro runner separately, see page 206 - 209

Nominal length mm	Order no. / Article			PU
	lengthwise railing	TopSide	DesignSide	
270	9 149 315		9 149 323	1 set
300	9 149 316		9 149 324	1 set
350	9 149 317		9 149 325	1 set
400	9 149 318	9 149 331	9 149 326	1 set
450	9 149 319	9 149 332	9 149 327	1 set
500	9 149 320	9 149 333	9 149 328	1 set
550	9 149 321	9 149 334	9 149 329	1 set
650	9 149 322	9 149 335	9 149 330	1 set

Flexible sets

Drawer side profile set

Set comprises:

- ▶ **1** 1 drawer side profile, left and right
- ▶ **2** 2 knock in drawer front connectors
- ▶ **4** 2 cover caps, white plastic with Hettich logo
- ▶ Fixing material



Rear panel connector set

- ▶ For wooden or **13** Aluminium rear panel

Set comprises:

- ▶ **14** 1 rear panel connector, left and right
- ▶ Fixing material



Nominal length mm	Order no.	PU
270	9 149 261	1 set
300	9 149 262	1 set
350	9 149 263	1 set
400	9 149 264	1 set
450	9 149 265	1 set
500	9 149 266	1 set
550	9 149 268	1 set
650	9 149 269	1 set

Nominal height mm	Order no.	PU
186	9 149 281	1 set

Nominal height mm	Order no. / Drawer side		PU
	left	right	
186	9 121 845	9 121 846	30 ea.

13 Aluminium rear panel

- ▶ For variable or standard cabinet body width
- ▶ For cutting to length
- ▶ Length 2000 mm
- ▶ Powder coated, white
- ▶ Rear panel connector set must be ordered separately



Order no.	PU
9 192 191	1 ea.

Lengthwise railing set

Set comprises:

- ▶ **7** 1 lengthwise railing, left and right
- ▶ **5** 2 knock in drawer front connectors



Nominal length mm	Order no.	PU
270	9 149 285	1 set
300	9 149 286	1 set
350	9 149 287	1 set
400	9 149 288	1 set
450	9 149 289	1 set
500	9 149 290	1 set
550	9 149 291	1 set
650	9 149 292	1 set

ArciTech double walled drawer system



- ▶ Pot-and-pan drawer / Internal pot-and-pan drawer, height 186 mm, drawer side profile height 94 mm
- ▶ Powder coated steel, white

8 TopSide

Set comprises:

- ▶ 1 TopSide, left and right
- ▶ 2 front connectors for knocking in and for screwing on



Nominal length mm	Order no.	PU
400	9 122 914	1 set
450	9 122 918	1 set
500	9 122 922	1 set
550	9 122 926	1 set
650	9 122 934	1 set

10 DesignSide adapter

- ▶ For combination with 9 DesignSide in glass or, when using a DesignSide in any chosen material, 11 DesignSide connector

Set comprises:

- ▶ 1 DesignSide adapter, front, left and right
- ▶ 1 DesignSide adapter, rear, left and right
- ▶ 2 front connectors for knocking in and for screwing on



Order no.	PU
9 122 975	1 set

3 Front panel stabiliser

- ▶ For stabilising wide and/or high front panels
- ▶ Recommended for use in cabinets in widths of 600 mm and over and / or front panel heights of 450 mm and over
- ▶ Plastic, anthracite



Order no.	PU
9 123 080	1/150 ea.

9 DesignSide in glass

- ▶ Float glass, clear, with glued on connectors
- ▶ Material 8 mm thick
- ▶ 10 DesignSide adapters must be ordered separately



Set comprises:

- ▶ 1 DesignSide with glued on connectors, left and right

Nominal length mm	Order no.	PU
270	9 122 983	1 set
300	9 122 984	1 set
350	9 122 985	1 set
400	9 122 986	1 set
450	9 122 987	1 set
500	9 122 988	1 set
550	9 122 989	1 set
650	9 122 990	1 set

11 DesignSide connector

- ▶ For combination with DesignSide in any chosen material
- ▶ For gluing or screwing (Ø 3 x 10)
- ▶ 10 DesignSide adapters must be ordered separately



Set comprises:

- ▶ 1 DesignSide connector, front, left and right
- ▶ 1 DesignSide connector, rear, left and right

Order no.	PU
9 122 998	1/15 set

ArciTech double walled drawer system



- ▶ Pot-and-pan drawer / Internal pot-and-pan drawer, **height 186 mm**, drawer side profile **height 94 mm**
- ▶ Powder coated steel, **white**

Components

1 Drawer side profile



Nominal length mm	Order no. / Drawer side		PU
	left	right	
400	9 121 245	9 121 246	15 ea.
450	9 121 247	9 121 248	15 ea.
500	9 121 249	9 121 250	15 ea.
550	9 121 251	9 121 252	15 ea.

2 Drawer front connector for drawer side profile

- ▶ Steel / plastic



Mounting option	Order no.	PU
for screwing on	9 123 011	1/150 ea.
for knocking in	9 123 010	1/150 ea.

3 Front panel stabiliser

- ▶ For stabilising wide and/or high front panels
- ▶ Recommended for use in cabinets in widths of 600 mm and over and / or front panel heights of 450 mm and over
- ▶ Plastic, anthracite



Order no.	PU
9 123 080	1/150 ea.

4 Cover cap

- ▶ Plastic
- ▶ Cover cap with customised imprint available on request



Finish	Order no.	PU
White with Hettich logo	9 123 006	1/300 ea.
White	9 123 001	1/300 ea.
Chrome look with Hettich logo	9 123 008	1/300 ea.
Chrome look	9 123 003	1/300 ea.

7 Lengthwise railing



Nominal length mm	Order no. / Drawer side		PU
	left	right	
400	9 121 987	9 121 988	30 ea.
450	9 121 997	9 121 998	30 ea.
500	9 122 007	9 122 008	30 ea.
550	9 122 017	9 122 018	30 ea.

5 Drawer front connector for lengthwise railing

- ▶ Plastic, anthracite



Mounting option	Order no.	PU
for screwing on	9 127 011	1/300 ea.
for knocking in	9 127 000	1/300 ea.

ArciTech double walled drawer system



- ▶ Pot-and-pan drawer / Internal pot-and-pan drawer, height 186 mm, drawer side profile height 94 mm
- ▶ Powder coated steel, white

Front panel for internal pot-and-pan drawer

16 Aluminium front panel

- ▶ For variable or standard cabinet body width
- ▶ For cutting to length
- ▶ Length 2000 mm
- ▶ Powder coated, white
- ▶ **17** Railing and **18** Connectors for the front panel must be ordered separately



Order no.	PU
9 192 206	1 ea.

17 Railing for aluminium front panel

- ▶ Steel
- ▶ For variable or standard cabinet body width
- ▶ For cutting to length
- ▶ Length 2000 mm
- ▶ **16** Aluminium front panel and **18** Connectors for the front panel must be ordered separately



Order no.	PU
9 182 714	1 ea.

18 Connector for front panel

- ▶ For combination with **16** Aluminium front panel and **17** Railing for front panel or, when using a front panel in any chosen material, **19** Profile for front
- ▶ When using any chosen material with a total load of up to 60 kg



Set comprises:

- ▶ 1 connector for front panel, left and right

Order no.	PU
9 123 090	1/15 set

19 Profile for front

- ▶ For front panel in any chosen material
- ▶ For cutting to length, 2 profiles per front panel
- ▶ Length 2000 mm
- ▶ Aluminium, silver anodised
- ▶ **18** Connectors must be ordered separately



Order no.	PU
9 192 208	1 ea.

21 Catch for internal front panel

- ▶ For screwing on
- ▶ Plastic, grey



Set comprises:

- ▶ 1 catch
- ▶ 1 profile height increaser
- ▶ Fixing material

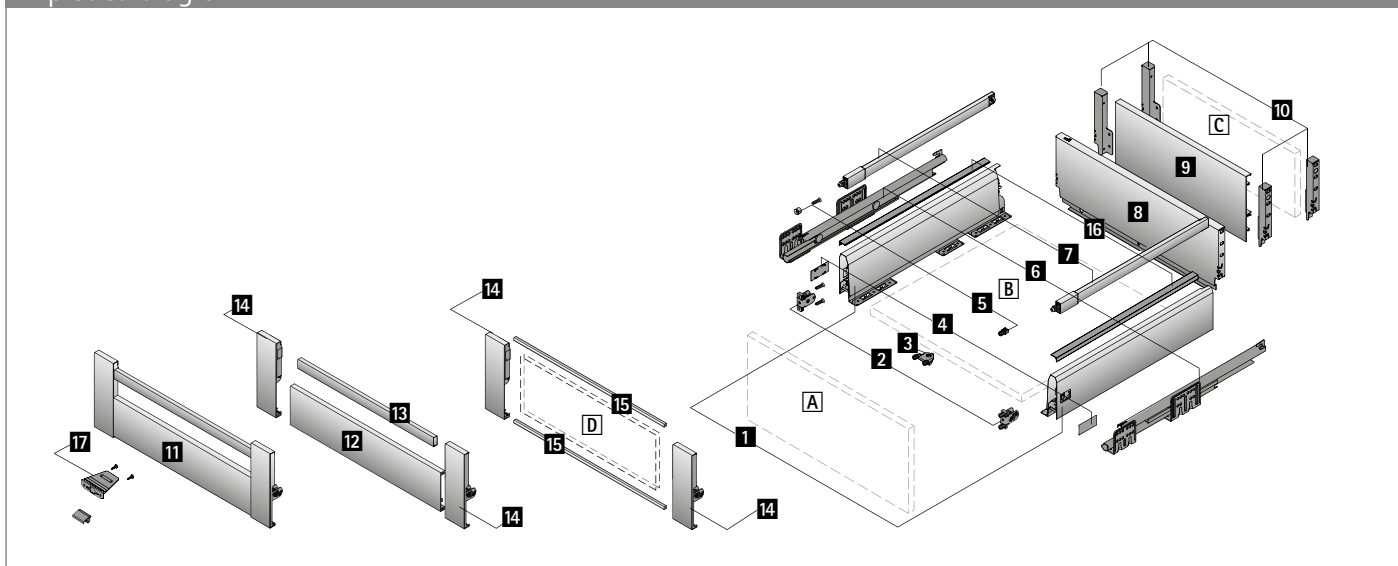
Order no.	PU
9 235 835	1 set

ArciTech double walled drawer system

- ▶ Pot-and-pan / internal pot-and-pan drawer, height 186 mm, drawer side profile height 126 mm
- ▶ Powder coated steel, white



Exploded diagram



Components

- 1** Drawer side profile, left and right
- 2** Drawer front connector for drawer side profile, 2 each
- 3** Front stabiliser
- 4** Cover cap, 2 each
- 5** Drawer front connector for lengthwise railing, 2 each
- 6** Actro drawer runner, left and right, see page 206 - 209
- 7** Lengthwise railing, left and right
- 8** Steel rear panel

Alternatively:

- 9** Aluminium rear panel or **C** Wooden rear panel and
- 10** Rear panel connector, left and right
- 11** Front panel for internal pot-and-pan drawer

Alternatively 1:

- 12** Aluminium front panel and
- 13** Railing for aluminium front panel and
- 14** Connector for front panel

Alternatively 2:

- D** Front panel in any chosen material and
- 14** Connector for front panel and
- 15** Profile for front

Optional accessories:

- 16** Designer-type profile
- 17** Catch for internal front panel
- A** Front panel
- B** Bottom panel (material thickness 16 mm)
- C** Wooden rear panel (material thickness 16 mm)
- D** Front panel in any chosen material (material thickness 6 mm)

Advice

- ▶ For technical information, see pages 233 - 234, 248 - 261
- ▶ Actro drawer runner, see page 206 - 209

ArciTech double walled drawer system



- ▶ Pot-and-pan / internal pot-and-pan drawer, **height 186 mm**, drawer side profile **height 126 mm**
- ▶ Powder coated steel, **white**

All inclusive sets

Pot-and-pan drawer set with lengthwise railing

Set comprises:

- ▶ **1** 1 drawer side profile, left and right
- ▶ **2** 2 knock in drawer front connectors
- ▶ **4** 2 cover caps, white plastic with Hettich logo
- ▶ **7** 1 lengthwise railing, left and right
- ▶ **5** 2 knock in drawer front connectors
- ▶ **10** 1 rear panel connector, left and right
- ▶ Fixing material

Note: Please order your Actro runner separately, see page 206 - 209

Nominal length mm	Order no.	PU
270	9 149 336	1 set
300	9 149 337	1 set
350	9 149 338	1 set
400	9 149 339	1 set
450	9 149 340	1 set
500	9 149 341	1 set
550	9 149 343	1 set
650	9 149 344	1 set

Flexible sets

Drawer side profile set

Set comprises:

- ▶ **1** 1 drawer side profile, left and right
- ▶ **2** 2 knock in drawer front connectors
- ▶ **4** 2 cover caps, white plastic with Hettich logo
- ▶ Fixing material



Rear panel connector set

- ▶ For wooden or **9** Aluminium rear panel

Set comprises:

- ▶ **10** 1 rear panel connector, left and right
- ▶ Fixing material



Nominal length mm	Order no.	PU
270	9 149 270	1 set
300	9 149 272	1 set
350	9 149 273	1 set
400	9 149 274	1 set
450	9 149 275	1 set
500	9 149 276	1 set
550	9 149 277	1 set
650	9 149 278	1 set

Nominal height mm	Order no.	PU
186	9 149 281	1 set

Nominal height mm	Order no. / Drawer side		PU
	left	right	
186	9 121 845	9 121 846	30 ea.

9 Aluminium rear panel

- ▶ For variable or standard cabinet body width
- ▶ For cutting to length
- ▶ Length 2000 mm
- ▶ Powder coated, white
- ▶ Rear panel connector set must be ordered separately



Order no.	PU
9 192 191	1 ea.

Lengthwise railing set

Set comprises:

- ▶ **7** 1 lengthwise railing, left and right
- ▶ **5** 2 knock in drawer front connectors



Nominal length mm	Order no.	PU
270	9 149 285	1 set
300	9 149 286	1 set
350	9 149 287	1 set
400	9 149 288	1 set
450	9 149 289	1 set
500	9 149 290	1 set
550	9 149 291	1 set
650	9 149 292	1 set

3 Front panel stabiliser

- ▶ For stabilising wide and/or high front panels
- ▶ Recommended for use in cabinets in widths of 600 mm and over and / or front panel heights of 450 mm and over
- ▶ Plastic, anthracite



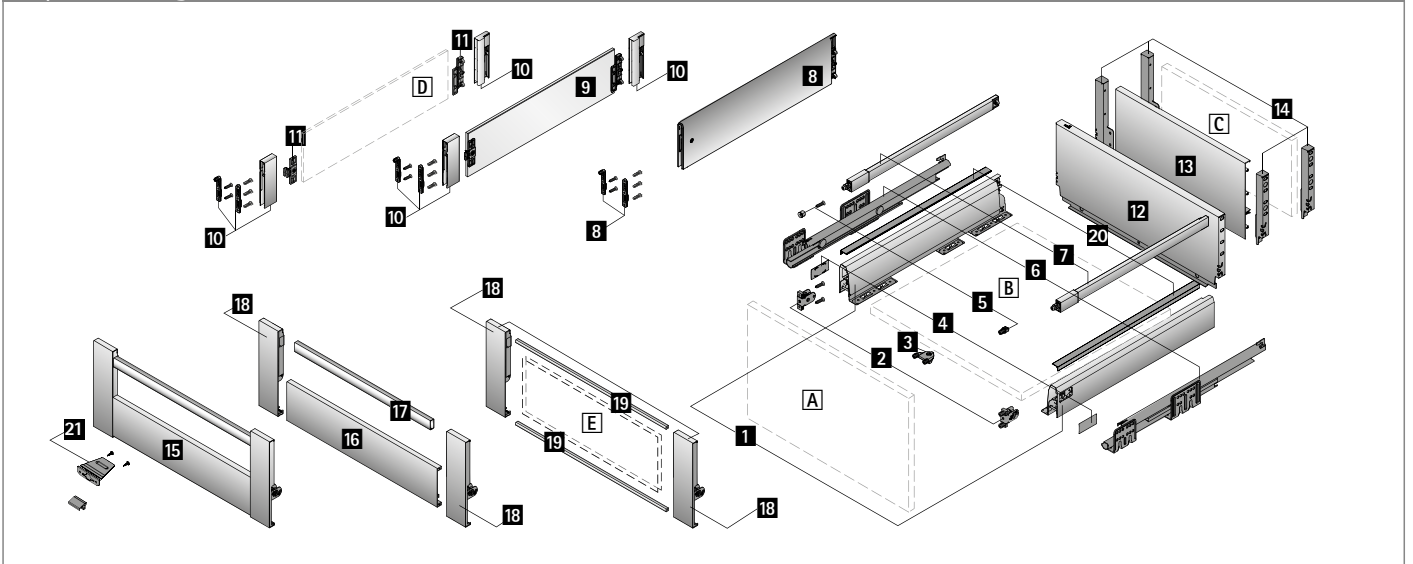
Order no.	PU
9 123 080	1/150 ea.

ArciTech double walled drawer system

- ▶ Pot-and-pan drawer / internal pot-and-pan drawer, height 218 mm, drawer side profile height 94 mm
- ▶ Powder coated steel, white



Exploded diagram



Components

- 1** Drawer side profile, left and right
- 2** Drawer front connector for drawer side profile, 2 each
- 3** Front stabiliser
- 4** Cover cap, 2 each
- 5** Drawer front connector for lengthwise railing, 2 each
- 6** Actro drawer runner, left and right, see page 206 - 209
- 7** Lengthwise railing, left and right

Alternatively 1:

- 8** TopSide

Alternatively 2:

- 9** DesignSide in glass and
- 10** DesignSide adapter

Alternatively 3:

- D** DesignSide in any chosen material and
- 10** DesignSide adapter and
- 11** DesignSide connector

12 Steel rear panel

Alternatively:

- 13** Aluminium rear panel or **C** Wooden rear panel and
- 14** Rear panel connector, left and right

- 15** Front panel for internal pot-and-pan drawer

Alternatively 1:

- 16** Aluminium front panel and
- 17** Railing for aluminium front panel and
- 18** Connector for front panel

Alternatively 2:

- E** Front panel in any chosen material and
- 18** Connector for front panel and
- 19** Profile for front

Optional accessories:

- 20** Designer-type profile
- 21** Catch for internal front panel
- A** Front panel
- B** Bottom panel (material thickness 16 mm)
- C** Wooden rear panel (material thickness 16 mm)
- D** DesignSide in any chosen material (material thickness 8 mm)
- E** Front panel in any chosen material (material thickness 6 mm)

Advice

- ▶ For technical information, see pages 235 - 238, 248 - 261
- ▶ Actro drawer runner, see page 206 - 209

- ▶ Pot-and-pan drawer / internal pot-and-pan drawer, height 218 mm, drawer side profile height 94 mm
- ▶ Powder coated steel, white

All inclusive sets

Pot-and-pan drawer set

Set comprises:

- ▶ **1** 1 drawer side profile, left and right
- ▶ **2** 2 knock in drawer front connectors
- ▶ **4** 2 cover caps, white plastic with Hettich logo
- ▶ **7** 1 lengthwise railing, left and right, and **5** 2 knock in drawer front connectors **or**
- ▶ **8** 1 TopSide set, including drawer front connectors **or**
- ▶ **9** 1 DesignSide set in glass and . DesignSide adapter, including drawer front connectors
- ▶ **14** 1 rear panel connector, left and right
- ▶ Fixing material

Note: Please order your Actro runner separately, see page 206 - 209

Nominal length mm	Order no. / Article			PU
	lengthwise railing	TopSide	DesignSide	
270	9 149 345		9 149 353	1 set
300	9 149 346		9 149 354	1 set
350	9 149 347		9 149 355	1 set
400	9 149 348	9 149 361	9 149 356	1 set
450	9 149 349	9 149 362	9 149 357	1 set
500	9 149 350	9 149 363	9 149 358	1 set
550	9 149 351	9 149 364	9 149 359	1 set
650	9 149 352	9 149 365	9 149 360	1 set

Flexible sets

Drawer side profile set

Set comprises:

- ▶ **1** 1 drawer side profile, left and right
- ▶ **2** 2 knock in drawer front connectors
- ▶ **4** 2 cover caps, white plastic with Hettich logo
- ▶ Fixing material



Rear panel connector set

- ▶ For wooden or **13** Aluminium rear panel

Set comprises:

- ▶ **14** 1 rear panel connector, left and right
- ▶ Fixing material



Nominal length mm	Order no.	PU
270	9 149 261	1 set
300	9 149 262	1 set
350	9 149 263	1 set
400	9 149 264	1 set
450	9 149 265	1 set
500	9 149 266	1 set
550	9 149 268	1 set
650	9 149 269	1 set

Nominal height mm	Order no.	PU
218	9 149 282	1 set

Nominal height mm	Order no. / Drawer side		PU
	left	right	
218	9 121 853	9 121 854	30 ea.

13 Aluminium rear panel

- ▶ For variable or standard cabinet body width
- ▶ For cutting to length
- ▶ Length 2000 mm
- ▶ Powder coated, white
- ▶ Rear panel connector set must be ordered separately



Order no.	PU
9 192 184	1 ea.

Lengthwise railing set

Set comprises:

- ▶ **7** 1 lengthwise railing, left and right
- ▶ **5** 2 knock in drawer front connectors



Nominal length mm	Order no.	PU
270	9 149 285	1 set
300	9 149 286	1 set
350	9 149 287	1 set
400	9 149 288	1 set
450	9 149 289	1 set
500	9 149 290	1 set
550	9 149 291	1 set
650	9 149 292	1 set

- ▶ Pot-and-pan drawer / internal pot-and-pan drawer, **height 218 mm**, drawer side profile **height 94 mm**
- ▶ Powder coated steel, **white**

8 TopSide

Set comprises:

- ▶ 1 TopSide, left and right
- ▶ 2 front connectors for knocking in and for screwing on



Nominal length mm	Order no.	PU
400	9 122 951	1 set
450	9 122 955	1 set
500	9 122 959	1 set
550	9 122 963	1 set
650	9 122 971	1 set

9 DesignSide in glass

- ▶ Float glass, clear, with glued on connectors
- ▶ Material 8 mm thick
- ▶ **10** DesignSide adapters must be ordered separately



Set comprises:

- ▶ 1 DesignSide with glued on connectors, left and right

Nominal length mm	Order no.	PU
270	9 122 991	1 set
300	9 122 992	1 set
350	9 122 993	1 set
400	9 122 994	1 set
450	9 122 995	1 set
500	9 122 996	1 set
550	9 122 997	1 set
650	9 123 078	1 set

10 DesignSide adapter

- ▶ For combination with **9** DesignSide in glass or, when using a DesignSide in any chosen material, **11** DesignSide connector



Set comprises:

- ▶ 1 DesignSide adapter, front, left and right
- ▶ 1 DesignSide adapter, rear, left and right
- ▶ 2 front connectors for knocking in and for screwing on

Order no.	PU
9 122 980	1 set

11 DesignSide connector

- ▶ For combination with DesignSide in any chosen material
- ▶ For gluing or screwing (Ø 3 x 10)
- ▶ **10** DesignSide adapters must be ordered separately



Set comprises:

- ▶ 1 DesignSide connector, front, left and right
- ▶ 1 DesignSide connector, rear, left and right

Order no.	PU
9 122 998	1/15 set

3 Front panel stabiliser

- ▶ For stabilising wide and/or high front panels
- ▶ Recommended for use in cabinets in widths of 600 mm and over and / or front panel heights of 450 mm and over
- ▶ Plastic, anthracite



Order no.	PU
9 123 080	1/150 ea.

- ▶ Pot-and-pan drawer / internal pot-and-pan drawer, height 218 mm, drawer side profile height 94 mm
- ▶ Powder coated steel, white

Front panel for internal pot-and-pan drawer

16 Aluminium front panel

- ▶ For variable or standard cabinet body width
- ▶ For cutting to length
- ▶ Length 2000 mm
- ▶ Powder coated, white
- ▶ **17** Railing and **18** Connectors for the front panel must be ordered separately



Order no.	PU
9 192 206	1 ea.

17 Railing for aluminium front panel

- ▶ Steel
- ▶ For variable or standard cabinet body width
- ▶ For cutting to length
- ▶ Length 2000 mm
- ▶ **16** Aluminium front panel and **18** Connectors for the front panel must be ordered separately



Order no.	PU
9 182 714	1 ea.

18 Connector for front panel

- ▶ For combination with **16** Aluminium front panel and **17** Railing for front panel or, when using a front panel in any chosen material, **19** Profile for front
- ▶ When using any chosen material with a total load of up to 60 kg



Set comprises:

- ▶ 1 connector for front panel, left and right

Order no.	PU
9 123 093	1/15 set

19 Profile for front

- ▶ For front panel in any chosen material
- ▶ For cutting to length, 2 profiles per front panel
- ▶ Length 2000 mm
- ▶ Aluminium, silver anodised
- ▶ **18** Connectors must be ordered separately



Order no.	PU
9 192 208	1 ea.

21 Catch for internal front panel

- ▶ For screwing on
- ▶ Plastic, grey



Set comprises:

- ▶ 1 catch
- ▶ 1 profile height increaser
- ▶ Fixing material

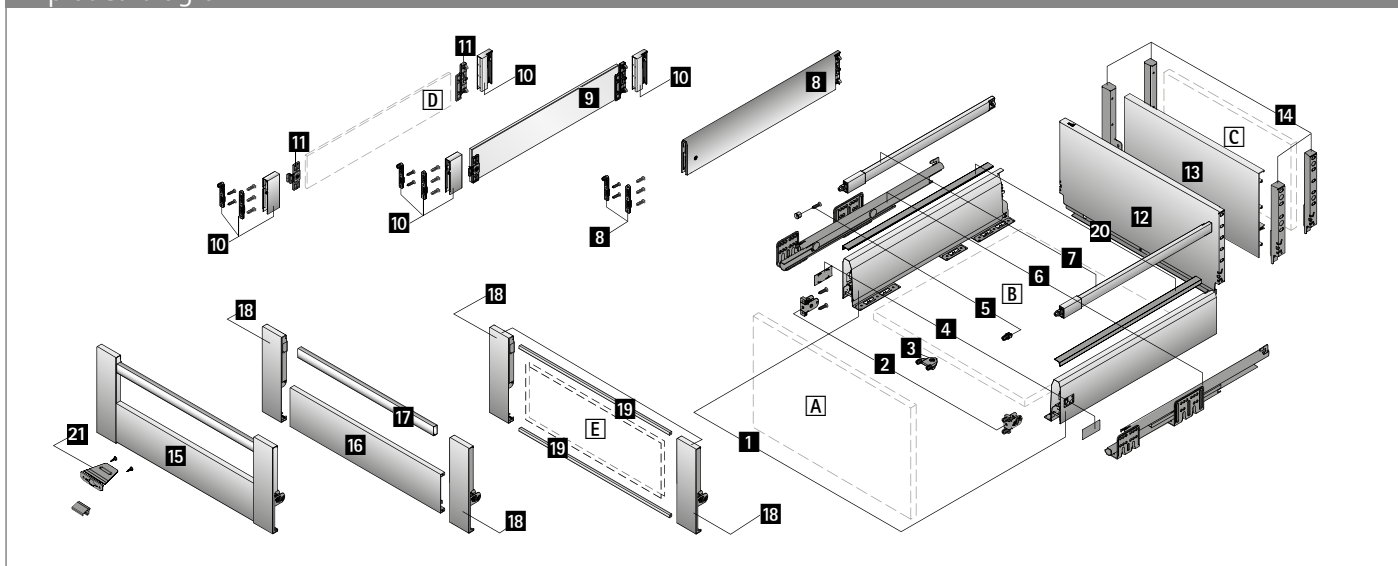
Order no.	PU
9 235 835	1 set

ArciTech double walled drawer system

- ▶ Pot-and-pan drawer / internal pot-and-pan drawer, height 218 mm, drawer side profile height 126 mm
- ▶ Powder coated steel, white



Exploded diagram



Components

- 1** Drawer side profile, left and right
- 2** Drawer front connector for drawer side profile, 2 each
- 3** Front stabiliser
- 4** Cover cap, 2 each
- 5** Drawer front connector for lengthwise railing, 2 each
- 6** Actro drawer runner, left and right, see page 206 - 209
- 7** Lengthwise railing, left and right

Alternatively 1:

- 8** TopSide

Alternatively 2:

- 9** DesignSide in glass and
- 10** DesignSide adapter

Alternatively 3:

- D** DesignSide in any chosen material and
- 10** DesignSide adapter and
- 11** DesignSide connector

12 Steel rear panel

Alternatively:

- 13** Aluminium rear panel or **C** Wooden rear panel and
- 14** Rear panel connector, left and right

- 15** Front panel for internal pot-and-pan drawer

Alternatively 1:

- 16** Aluminium front panel and
- 17** Railing for aluminium front panel and
- 18** Connector for front panel

Alternatively 2:

- E** Front panel in any chosen material and
- 18** Connector for front panel and
- 19** Profile for front

Optional accessories:

- 20** Designer-type profile
- 21** Catch for internal front panel
- A** Front panel
- B** Bottom panel (material thickness 16 mm)
- C** Wooden rear panel (material thickness 16 mm)
- D** DesignSide in any chosen material (material thickness 8 mm)
- E** Front panel in any chosen material (material thickness 6 mm)

Advice

- ▶ For technical information, see pages 239 - 242, 248 - 261
- ▶ Actro drawer runner, see page 206 - 209

- ▶ Pot-and-pan drawer / internal pot-and-pan drawer, **height 218 mm**, drawer side profile **height 126 mm**
- ▶ Powder coated steel, **white**

All inclusive sets

Pot-and-pan drawer set

Set comprises:

- ▶ **1** 1 drawer side profile, left and right
- ▶ **2** 2 knock in drawer front connectors
- ▶ **4** 2 cover caps, white plastic with Hettich logo
- ▶ **7** 1 lengthwise railing, left and right, and **5** 2 knock in drawer front connectors **or**
- ▶ **8** 1 TopSide set, including drawer front connectors **or**
- ▶ **9** 1 DesignSide set in glass and . DesignSide adapter, including drawer front connectors
- ▶ **14** 1 rear panel connector, left and right
- ▶ Fixing material

Note: Please order your Actro runner separately, see page 206 - 209

Nominal length mm	Order no. / Article			PU
	lengthwise railing	TopSide	DesignSide	
270	9 149 366		9 149 375	1 set
300	9 149 367		9 149 376	1 set
350	9 149 368		9 149 377	1 set
400	9 149 369	9 149 383	9 149 378	1 set
450	9 149 370	9 149 384	9 149 379	1 set
500	9 149 371	9 149 386	9 149 380	1 set
550	9 149 372	9 149 387	9 149 381	1 set
650	9 149 373	9 149 388	9 149 382	1 set

Flexible sets

Drawer side profile set

Set comprises:

- ▶ **1** 1 drawer side profile, left and right
- ▶ **2** 2 knock in drawer front connectors
- ▶ **4** 2 cover caps, white plastic with Hettich logo
- ▶ Fixing material



Rear panel connector set

- ▶ For wooden or **13** Aluminium rear panel

Set comprises:

- ▶ **14** 1 rear panel connector, left and right
- ▶ Fixing material



Nominal length mm	Order no.	PU
270	9 149 270	1 set
300	9 149 272	1 set
350	9 149 273	1 set
400	9 149 274	1 set
450	9 149 275	1 set
500	9 149 276	1 set
550	9 149 277	1 set
650	9 149 278	1 set

Nominal height mm	Order no.	PU
218	9 149 282	1 set

Nominal height mm	Order no. / Drawer side		PU
	left	right	
218	9 121 853	9 121 854	30 ea.

13 Aluminium rear panel

- ▶ For variable or standard cabinet body width
- ▶ For cutting to length
- ▶ Length 2000 mm
- ▶ Powder coated, white
- ▶ Rear panel connector set must be ordered separately



Order no.	PU
9 192 184	1 ea.

Lengthwise railing set

Set comprises:

- ▶ **7** 1 lengthwise railing, left and right
- ▶ **5** 2 knock in drawer front connectors



Nominal length mm	Order no.	PU
270	9 149 285	1 set
300	9 149 286	1 set
350	9 149 287	1 set
400	9 149 288	1 set
450	9 149 289	1 set
500	9 149 290	1 set
550	9 149 291	1 set
650	9 149 292	1 set

- ▶ Pot-and-pan drawer / internal pot-and-pan drawer, height 218 mm, drawer side profile height 126 mm
- ▶ Powder coated steel, white

8 TopSide

Set comprises:

- ▶ 1 TopSide, left and right
- ▶ 2 front connectors for knocking in and for screwing on



Nominal length mm	Order no.	PU
400	9 122 914	1 set
450	9 122 918	1 set
500	9 122 922	1 set
550	9 122 926	1 set
650	9 122 934	1 set

9 DesignSide in glass

- ▶ Float glass, clear, with glued on connectors
- ▶ Material 8 mm thick
- ▶ **10** DesignSide adapters must be ordered separately



Set comprises:

- ▶ 1 DesignSide with glued on connectors, left and right

Nominal length mm	Order no.	PU
270	9 122 983	1 set
300	9 122 984	1 set
350	9 122 985	1 set
400	9 122 986	1 set
450	9 122 987	1 set
500	9 122 988	1 set
550	9 122 989	1 set
650	9 122 990	1 set

10 DesignSide adapter

- ▶ For combination with **9** DesignSide in glass or, when using a DesignSide in any chosen material, **11** DesignSide connector



Set comprises:

- ▶ 1 DesignSide adapter, front, left and right
- ▶ 1 DesignSide adapter, rear, left and right
- ▶ 2 front connectors for knocking in and for screwing on

Order no.	PU
9 122 975	1 set

11 DesignSide connector

- ▶ For combination with DesignSide in any chosen material
- ▶ For gluing or screwing (Ø 3 x 10)
- ▶ **10** DesignSide adapters must be ordered separately



Set comprises:

- ▶ 1 DesignSide connector, front, left and right
- ▶ 1 DesignSide connector, rear, left and right

Order no.	PU
9 122 998	1/15 set

3 Front panel stabiliser

- ▶ For stabilising wide and/or high front panels
- ▶ Recommended for use in cabinets in widths of 600 mm and over and / or front panel heights of 450 mm and over
- ▶ Plastic, anthracite



Order no.	PU
9 123 080	1/150 ea.

- ▶ Pot-and-pan drawer / internal pot-and-pan drawer, **height 218 mm**, drawer side profile **height 126 mm**
- ▶ Powder coated steel, **white**

Front panel for internal pot-and-pan drawer

16 Aluminium front panel

- ▶ For variable or standard cabinet body width
- ▶ For cutting to length
- ▶ Length 2000 mm
- ▶ Powder coated, white
- ▶ **17** Railing and **18** Connectors for the front panel must be ordered separately



Order no.	PU
9 192 206	1 ea.

17 Railing for aluminium front panel

- ▶ Steel
- ▶ For variable or standard cabinet body width
- ▶ For cutting to length
- ▶ Length 2000 mm
- ▶ **16** Aluminium front panel and **18** Connectors for the front panel must be ordered separately



Order no.	PU
9 182 714	1 ea.

18 Connector for front panel

- ▶ For combination with **16** Aluminium front panel and **17** Railing for front panel or, when using a front panel in any chosen material, **19** Profile for front
- ▶ When using any chosen material with a total load of up to 60 kg



Set comprises:

- ▶ 1 connector for front panel, left and right

Order no.	PU
9 123 093	1/15 set

19 Profile for front

- ▶ For front panel in any chosen material
- ▶ For cutting to length, 2 profiles per front panel
- ▶ Length 2000 mm
- ▶ Aluminium, silver anodised
- ▶ **18** Connectors must be ordered separately



Order no.	PU
9 192 208	1 ea.

21 Catch for internal front panel

- ▶ For screwing on
- ▶ Plastic, grey



Set comprises:

- ▶ 1 catch
- ▶ 1 profile height increaser
- ▶ Fixing material

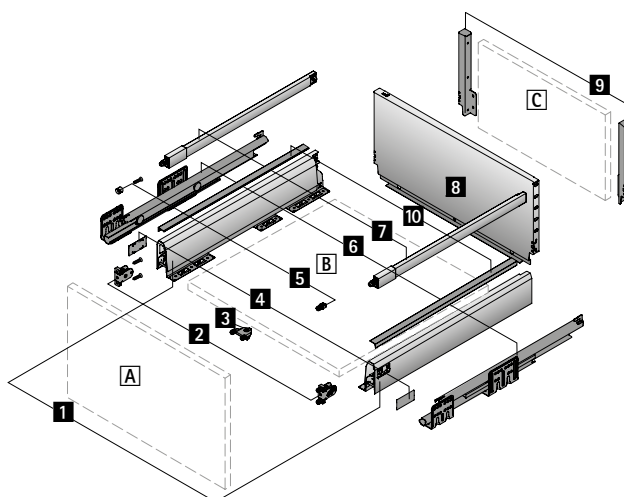
Order no.	PU
9 235 835	1 set

ArciTech double walled drawer system

- ▶ Pot-and-pan drawer, height 250 mm, drawer side profile height 94 mm
- ▶ Powder coated steel, white



Exploded diagram



Components

- 1 Drawer side profile, left and right
- 2 Drawer front connector for drawer side profile, 2 each
- 3 Front stabiliser
- 4 Cover cap, 2 each
- 5 Drawer front connector for lengthwise railing, 2 each
- 6 Actro drawer runner, left and right, see page 206 - 209
- 7 Lengthwise railing, left and right
- 8 Steel rear panel

Alternatively:

- C Wooden rear panel and
- 9 Rear panel connector, left and right

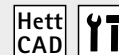
Optional accessories:

- 10 Designer-type profile
- A Front panel
- B Bottom panel (material thickness 16 mm)
- C Wooden rear panel (material thickness 16 mm)

Advice

- ▶ For technical information, see pages 243, 248 - 261
- ▶ Actro drawer runner, see page 206 - 209

ArciTech double walled drawer system



- ▶ Pot-and-pan drawer, **height 250 mm**, drawer side profile **height 94 mm**
- ▶ Powder coated steel, **white**

All inclusive sets

Pot-and-pan drawer set with lengthwise railing

Set comprises:

- ▶ **1** 1 drawer side profile, left and right
- ▶ **2** 2 knock in drawer front connectors
- ▶ **4** 2 cover caps, white plastic with Hettich logo
- ▶ **7** 1 lengthwise railing, left and right
- ▶ **5** 2 knock in drawer front connectors
- ▶ **9** 1 rear panel connector, left and right
- ▶ Fixing material

Note: Please order your Actro runner separately, see page 206 - 209

Nominal length mm	Order no.	PU
270	9 149 389	1 set
300	9 149 390	1 set
350	9 149 391	1 set
400	9 149 392	1 set
450	9 149 393	1 set
500	9 149 394	1 set
550	9 149 395	1 set
650	9 149 396	1 set

Flexible sets

Drawer side profile set

Set comprises:

- ▶ **1** 1 drawer side profile, left and right
- ▶ **2** 2 knock in drawer front connectors
- ▶ **4** 2 cover caps, white plastic with Hettich logo
- ▶ Fixing material



Rear panel connector set

- ▶ For wooden rear panel

Set comprises:

- ▶ **9** 1 rear panel connector, left and right
- ▶ Fixing material



Nominal length mm	Order no.	PU
270	9 149 261	1 set
300	9 149 262	1 set
350	9 149 263	1 set
400	9 149 264	1 set
450	9 149 265	1 set
500	9 149 266	1 set
550	9 149 268	1 set
650	9 149 269	1 set

Nominal height mm	Order no.	PU
250	9 149 283	1 set

Lengthwise railing set

Set comprises:

- ▶ **7** 1 lengthwise railing, left and right
- ▶ **5** 2 knock in drawer front connectors



Nominal length mm	Order no.	PU
270	9 149 285	1 set
300	9 149 286	1 set
350	9 149 287	1 set
400	9 149 288	1 set
450	9 149 289	1 set
500	9 149 290	1 set
550	9 149 291	1 set
650	9 149 292	1 set

3 Front panel stabiliser

- ▶ For stabilising wide and/or high front panels
- ▶ Recommended for use in cabinets in widths of 600 mm and over and / or front panel heights of 450 mm and over
- ▶ Plastic, anthracite



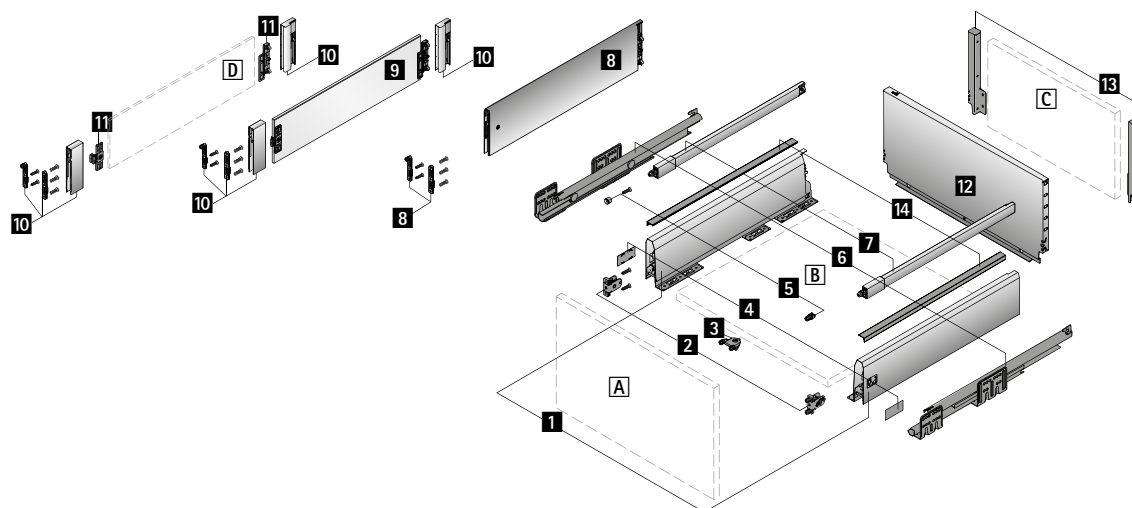
Order no.	PU
9 123 080	1/150 ea.

ArciTech double walled drawer system

- ▶ Pot-and-pan drawer, height 250 mm, drawer side profile height 126 mm
- ▶ Powder coated steel, white



Exploded diagram



Components

- 1** Drawer side profile, left and right
- 2** Drawer front connector for drawer side profile, 2 each
- 3** Front stabiliser
- 4** Cover cap, 2 each
- 5** Drawer front connector for lengthwise railing, 2 each
- 6** Actro drawer runner, left and right, see page 206 - 209
- 7** Lengthwise railing, left and right

Alternatively 1:

- 8** TopSide

Alternatively 2:

- 9** DesignSide in glass and
- 10** DesignSide adapter

Alternatively 3:

- D** DesignSide in any chosen material and
- 10** DesignSide adapter and
- 11** DesignSide connector

12 Steel rear panel

Alternatively:

- C** Wooden rear panel and
- 13** Rear panel connector, left and right

Optional accessories:

- 14** Designer-type profile

- A** Front panel
- B** Bottom panel (material thickness 16 mm)
- C** Wooden rear panel (material thickness 16 mm)
- D** DesignSide in any chosen material (material thickness 8 mm)

Advice

- ▶ For technical information, see pages 244 - 245, 248 - 261
- ▶ Actro drawer runner, see page 206 - 209

- ▶ Pot-and-pan drawer, **height 250 mm**, drawer side profile **height 126 mm**
- ▶ Powder coated steel, **white**

All inclusive sets

Pot-and-pan drawer set

Set comprises:

- ▶ **1** 1 drawer side profile, left and right
- ▶ **2** 2 knock in drawer front connectors
- ▶ **4** 2 cover caps, white plastic with Hettich logo
- ▶ **7** 1 lengthwise railing, left and right, and **5** 2 knock in drawer front connectors **or**
- ▶ **8** 1 TopSide set, including drawer front connectors **or**
- ▶ **9** 1 DesignSide set in glass and . DesignSide adapter, including drawer front connectors
- ▶ **13** 1 rear panel connector, left and right
- ▶ Fixing material

Note: Please order your Actro runner separately, see page 206 - 209

Nominal length mm	Order no. / Article			PU
	lengthwise railing	TopSide	DesignSide	
270	9 149 397		9 149 406	1 set
300	9 149 398		9 149 407	1 set
350	9 149 399		9 149 408	1 set
400	9 149 400	9 149 415	9 149 410	1 set
450	9 149 401	9 149 416	9 149 411	1 set
500	9 149 402	9 149 417	9 149 412	1 set
550	9 149 403	9 149 418	9 149 413	1 set
650	9 149 405	9 149 420	9 149 414	1 set

Flexible sets

Drawer side profile set

Set comprises:

- ▶ **1** 1 drawer side profile, left and right
- ▶ **2** 2 knock in drawer front connectors
- ▶ **4** 2 cover caps, white plastic with Hettich logo
- ▶ Fixing material



Rear panel connector set

- ▶ For wooden rear panel

Set comprises:

- ▶ **13** 1 rear panel connector, left and right
- ▶ Fixing material



Nominal length mm	Order no.	PU
270	9 149 270	1 set
300	9 149 272	1 set
350	9 149 273	1 set
400	9 149 274	1 set
450	9 149 275	1 set
500	9 149 276	1 set
550	9 149 277	1 set
650	9 149 278	1 set

Nominal height mm	Order no.	PU
250	9 149 283	1 set

Lengthwise railing set

Set comprises:

- ▶ **7** 1 lengthwise railing, left and right
- ▶ **5** 2 knock in drawer front connectors



Nominal length mm	Order no.	PU
270	9 149 285	1 set
300	9 149 286	1 set
350	9 149 287	1 set
400	9 149 288	1 set
450	9 149 289	1 set
500	9 149 290	1 set
550	9 149 291	1 set
650	9 149 292	1 set

8 TopSide

Set comprises:

- ▶ 1 TopSide, left and right
- ▶ 2 front connectors for knocking in and for screwing on



Nominal length mm	Order no.	PU
400	9 122 951	1 set
450	9 122 955	1 set
500	9 122 959	1 set
550	9 122 963	1 set
650	9 122 971	1 set

- ▶ Pot-and-pan drawer, height 250 mm, drawer side profile height 126 mm
- ▶ Powder coated steel, white

9 DesignSide in glass

- ▶ Float glass, clear, with glued on connectors
- ▶ Material 8 mm thick
- ▶ **10** DesignSide adapters must be ordered separately



Set comprises:

- ▶ 1 DesignSide with glued on connectors, left and right

Nominal length mm	Order no.	PU
270	9 122 991	1 set
300	9 122 992	1 set
350	9 122 993	1 set
400	9 122 994	1 set
450	9 122 995	1 set
500	9 122 996	1 set
550	9 122 997	1 set
650	9 123 078	1 set

10 DesignSide adapter

- ▶ For combination with **9** DesignSide in glass or, when using a DesignSide in any chosen material, **11** DesignSide connector



Set comprises:

- ▶ 1 DesignSide adapter, front, left and right
- ▶ 1 DesignSide adapter, rear, left and right
- ▶ 2 front connectors for knocking in and for screwing on

Order no.	PU
9 122 980	1 set

11 DesignSide connector

- ▶ For combination with DesignSide in any chosen material
- ▶ For gluing or screwing (Ø 3 x 10)
- ▶ **10** DesignSide adapters must be ordered separately



Set comprises:

- ▶ 1 DesignSide connector, front, left and right
- ▶ 1 DesignSide connector, rear, left and right

Order no.	PU
9 122 998	1/15 set

3 Front panel stabiliser

- ▶ For stabilising wide and/or high front panels
- ▶ Recommended for use in cabinets in widths of 600 mm and over and / or front panel heights of 450 mm and over
- ▶ Plastic, anthracite



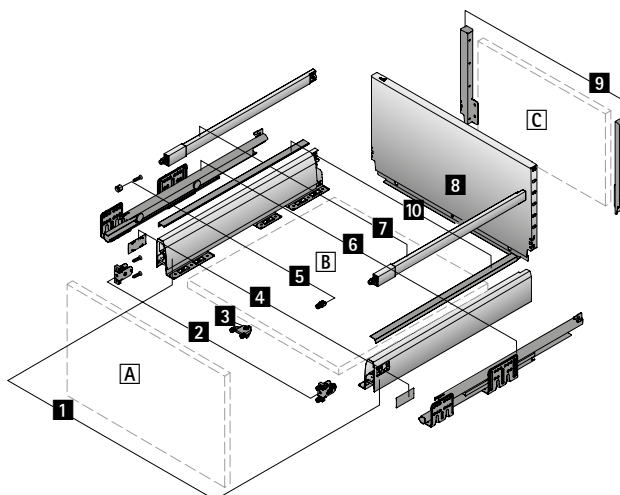
Order no.	PU
9 123 080	1/150 ea.

ArciTech double walled drawer system

- ▶ Pot-and-pan drawer, height 282 mm, drawer side profile height 94 mm
- ▶ Powder coated steel, white



Exploded diagram



Components

- 1** Drawer side profile, left and right
- 2** Drawer front connector for drawer side profile, 2 each
- 3** Front stabiliser
- 4** Cover cap, 2 each
- 5** Drawer front connector for lengthwise railing, 2 each
- 6** Actro drawer runner, left and right, see page 206 - 209
- 7** Lengthwise railing, left and right
- 8** Steel rear panel

Alternatively:

- C** Wooden rear panel and
- 9** Rear panel connector, left and right

Optional accessories:

- 10** Designer-type profile
- A** Front panel
- B** Bottom panel (material thickness 16 mm)
- C** Wooden rear panel (material thickness 16 mm)

Advice

- ▶ For technical information, see pages 246, 248 - 261
- ▶ Actro drawer runner, see page 206 - 209

ArciTech double walled drawer system



- ▶ Pot-and-pan drawer, **height 282 mm**, drawer side profile **height 94 mm**
- ▶ Powder coated steel, **white**

All inclusive sets

Pot-and-pan drawer set with lengthwise railing

Set comprises:

- ▶ **1** 1 drawer side profile, left and right
- ▶ **2** 2 knock in drawer front connectors
- ▶ **4** 2 cover caps, white plastic with Hettich logo
- ▶ **7** 1 lengthwise railing, left and right
- ▶ **5** 2 knock in drawer front connectors
- ▶ **9** 1 rear panel connector, left and right
- ▶ Fixing material

Note: Please order your Actro runner separately, see page 206 - 209

Nominal length mm	Order no.	PU
270	9 149 421	1 set
300	9 149 422	1 set
350	9 149 423	1 set
400	9 149 424	1 set
450	9 149 425	1 set
500	9 149 426	1 set
550	9 149 428	1 set
650	9 149 429	1 set

Flexible sets

Drawer side profile set

Set comprises:

- ▶ **1** 1 drawer side profile, left and right
- ▶ **2** 2 knock in drawer front connectors
- ▶ **4** 2 cover caps, white plastic with Hettich logo
- ▶ Fixing material



Rear panel connector set

- ▶ For wooden rear panel

Set comprises:

- ▶ **9** 1 rear panel connector, left and right
- ▶ Fixing material



Nominal length mm	Order no.	PU
270	9 149 261	1 set
300	9 149 262	1 set
350	9 149 263	1 set
400	9 149 264	1 set
450	9 149 265	1 set
500	9 149 266	1 set
550	9 149 268	1 set
650	9 149 269	1 set

Nominal height mm	Order no.	PU
282	9 149 284	1 set

Lengthwise railing set

Set comprises:

- ▶ **7** 1 lengthwise railing, left and right
- ▶ **5** 2 knock in drawer front connectors



Nominal length mm	Order no.	PU
270	9 149 285	1 set
300	9 149 286	1 set
350	9 149 287	1 set
400	9 149 288	1 set
450	9 149 289	1 set
500	9 149 290	1 set
550	9 149 291	1 set
650	9 149 292	1 set

3 Front panel stabiliser

- ▶ For stabilising wide and/or high front panels
- ▶ Recommended for use in cabinets in widths of 600 mm and over and / or front panel heights of 450 mm and over
- ▶ Plastic, anthracite



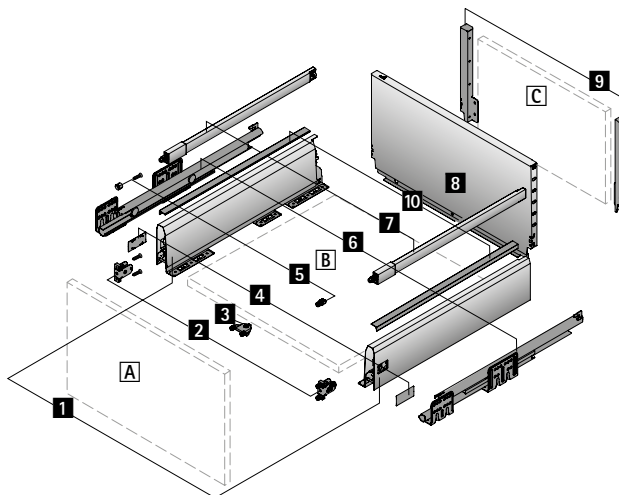
Order no.	PU
9 123 080	1/150 ea.

ArciTech double walled drawer system

- ▶ Pot-and-pan drawer, **height 282 mm**, drawer side profile **height 126 mm**
- ▶ Powder coated steel, **white**



Exploded diagram



Components

- 1** Drawer side profile, left and right
- 2** Drawer front connector for drawer side profile, 2 each
- 3** Front stabiliser
- 4** Cover cap, 2 each
- 5** Drawer front connector for lengthwise railing, 2 each
- 6** Actro drawer runner, left and right, see page 206 - 209
- 7** Lengthwise railing, left and right
- 8** Steel rear panel

Alternatively:

- Wooden rear panel and
- 9** Rear panel connector, left and right

Optional accessories:

- 10** Designer-type profile
- Front panel
- Bottom panel (material thickness 16 mm)
- Wooden rear panel (material thickness 16 mm)

Advice

- ▶ For technical information, see pages 247, 248 - 261
- ▶ Actro drawer runner, see page 206 - 209

ArciTech double walled drawer system



- ▶ Pot-and-pan drawer, **height 282 mm**, drawer side profile **height 126 mm**
- ▶ Powder coated steel, **white**

All inclusive sets

Pot-and-pan drawer set with lengthwise railing

Set comprises:

- ▶ **1** 1 drawer side profile, left and right
- ▶ **2** 2 knock in drawer front connectors
- ▶ **4** 2 cover caps, white plastic with Hettich logo
- ▶ **7** 1 lengthwise railing, left and right
- ▶ **5** 2 knock in drawer front connectors
- ▶ **9** 1 rear panel connector, left and right
- ▶ Fixing material

Note: Please order your Actro runner separately, see page 206 - 209

Nominal length mm	Order no.	PU
270	9 149 430	1 set
300	9 149 431	1 set
350	9 149 432	1 set
400	9 149 433	1 set
450	9 149 434	1 set
500	9 149 435	1 set
550	9 149 436	1 set
650	9 149 437	1 set

Flexible sets

Drawer side profile set

Set comprises:

- ▶ **1** 1 drawer side profile, left and right
- ▶ **2** 2 knock in drawer front connectors
- ▶ **4** 2 cover caps, white plastic with Hettich logo
- ▶ Fixing material



Rear panel connector set

- ▶ For wooden rear panel

Set comprises:

- ▶ **9** 1 rear panel connector, left and right
- ▶ Fixing material



Nominal length mm	Order no.	PU
270	9 149 270	1 set
300	9 149 272	1 set
350	9 149 273	1 set
400	9 149 274	1 set
450	9 149 275	1 set
500	9 149 276	1 set
550	9 149 277	1 set
650	9 149 278	1 set

Nominal height mm	Order no.	PU
282	9 149 284	1 set

7 Lengthwise railing set

Set comprises:

- ▶ **7** 1 lengthwise railing, left and right
- ▶ **5** 2 knock in drawer front connectors



Nominal length mm	Order no.	PU
270	9 149 285	1 set
300	9 149 286	1 set
350	9 149 287	1 set
400	9 149 288	1 set
450	9 149 289	1 set
500	9 149 290	1 set
550	9 149 291	1 set
650	9 149 292	1 set

3 Front panel stabiliser

- ▶ For stabilising wide and/or high front panels
- ▶ Recommended for use in cabinets in widths of 600 mm and over and / or front panel heights of 450 mm and over
- ▶ Plastic, anthracite



Order no.	PU
9 123 080	1/150 ea.

ArciTech double walled drawer system

- ▶ Range summary, interior organisation
- ▶ Powder coated steel, white



OrgaTray 440
for drawers / internal drawers
112 - 113



OrgaTray 570
for drawers / internal drawers
114



OrgaTray 600
for drawers / internal drawers
115



OrgaTray 230
for drawers / internal drawers
116 - 118



OrgaStripe
for drawers / pot-and-pan drawers
119



OrgaStore 400 for pot-and-pan drawers /
internal pot-and-pan drawers
120



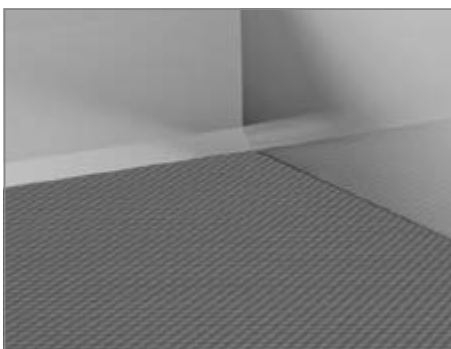
OrgaFlag for pot-and-pan drawers /
internal pot-and-pan drawers
121



OrgaStore 810 for pot-and-pan drawers /
internal pot-and-pan drawers
122 - 123



OrgaStore 230 for pot-and-pan drawers /
internal pot-and-pan drawers
124 - 125



Accessories
126

- ▶ Interior organisation system for drawers and internal drawers
- ▶ Powder coated steel, white



- ▶ For general-purpose use
- ▶ Knife holder and/or spice rack can be added, see page 113
- ▶ Plastic, white

OrgaTray 440

Width mm	Order no. / Depth mm		PU
	370 - 440	441 - 520	
175 - 200	9 194 948	9 194 961	1 ea.
201 - 250	9 194 949	9 194 962	1 ea.
251 - 300	9 194 950	9 194 963	1 ea.
301 - 350	9 194 951	9 194 964	1 ea.
351 - 400	9 194 952	9 194 965	1 ea.
401 - 450	9 194 953	9 194 966	1 ea.
451 - 500	9 194 954	9 194 967	1 ea.
501 - 600	9 194 955	9 194 968	1 ea.
601 - 700	9 194 956	9 194 969	1 ea.
701 - 800	9 194 957	9 194 970	1 ea.
801 - 900	9 194 958	9 194 971	1 ea.
901 - 1000	9 194 959	9 194 972	1 ea.
1091 - 1150	9 194 960	9 194 973	1 ea.

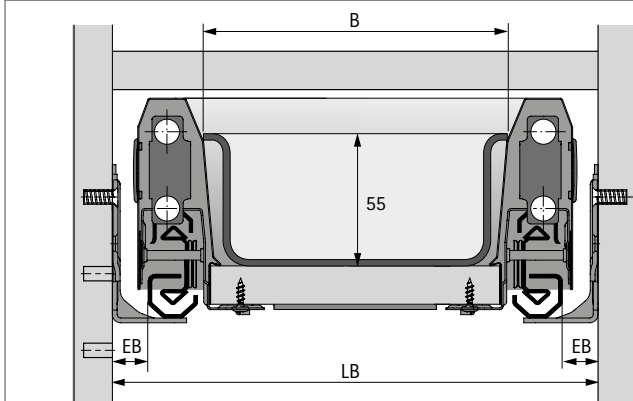
Divider

D	370 - 440													
D	441 - 520				*	*	*	*	*	*	*	*	*	*
W	175-200	201-250	251-300	301-350	351-400	401-450	451-500	501-600	601-700	701-800	801-900	901 - 1000	1091-1150	
NW	300	350	400	450	500	550	600	700	800	900	1000	1100	1200	

* = knife and spice rack can be incorporated

D = Depth W = Width NW = Nominal width

Dimensional drawing



Drawer side profile height 94 mm:

- ▶ Trimmed width (B) = LB - 2 x EB - 47
- ▶ When using edge profiles, see page 126:
Trimmed width (B) = LB - 2 x EB - 51
- ▶ Trimmed depth = Nominal length - 27

Drawer side profile height 126 mm:

- ▶ Trimmed width (B) = LB - 2 x EB - 50.5
- ▶ When using edge profiles, see page 126:
Trimmed width (B) = LB - 2 x EB - 54.5
- ▶ Trimmed depth = Nominal length - 27

ArciTech double walled drawer system

- ▶ Interior organisation system for drawers and internal drawers
- ▶ Powder coated steel, **white**

Knife holder and spice rack



- ▶ For OrgaTray 440
- ▶ Beech, lacquered

Artikel	Order no.	PU
1 Knife holder	0 074 430	1 ea.
2 Spice rack, standing, Ø 53 mm	0 044 934	1 ea.

ArciTech double walled drawer system

- ▶ Interior organisation system for drawers and internal drawers
- ▶ Powder coated steel, white



- ▶ Adapted to standard cabinet body width
- ▶ For 94 mm drawer side profile height
- ▶ Plastic, white

Set comprises:

- ▶ 1 plastic cutlery tray
- ▶ Dividing elements for organising drawers in any way (quantity differs depending on width, see illustration of drawer organisation)

OrgaTray 570

Cabinet body width mm	Order no. / Nominal length mm		PU
	450	500	
300	9 183 290*	9 135 013	1 set
350		9 135 014	1 set
400	9 183 291*	9 135 015	1 set
450	9 183 292*	9 135 016	1 set
500	9 183 293*	9 135 017	1 set
600	9 183 295*	9 135 019	1 set
800	9 183 296*	9 135 020	1 set
900		9 135 031	1 set
1000	9 183 297*	9 135 032	1 set

* Not stocked in Australia - available on request

Divider

NL	D	[Diagram showing various divider configurations for different widths and depths]									
400	373										
450	423										
500	473										
W	199	249	299	349	399	499	699	799	899		
CW	300	350	400	450	500	600	800	900	1000		

NL = Nominal length D = Depth W = Width CW = Cabinet body width

Dividing elements



- ▶ For OrgaTray 570
- ▶ Plastic, white

Nominal length mm	Order no.	PU
68	9 204 230	1/50 ea.
128	9 204 201	1/50 ea.

ArciTech double walled drawer system



- ▶ Interior organisation system for drawers and internal drawers
- ▶ Powder coated steel, white



- ▶ Variable in width, premounted
For cabinets in widths of 500 mm and over, for drawer side profiles in heights of 94 mm and 126 mm, 2 can be fitted in cabinets in widths of 800 mm and over

Advice:

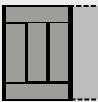
- ▶ Anti-slip mat must be ordered separately, see page 126
- ▶ Can be combined with knife, spice and foil holder from the OrgaTray 230 range, see page 116 - 117

OrgaTray 600

Cabinet body width mm	Order no. / Nominal length mm		PU
	450	500	
500 - 1200	-	9 132 690	1 set

Divider

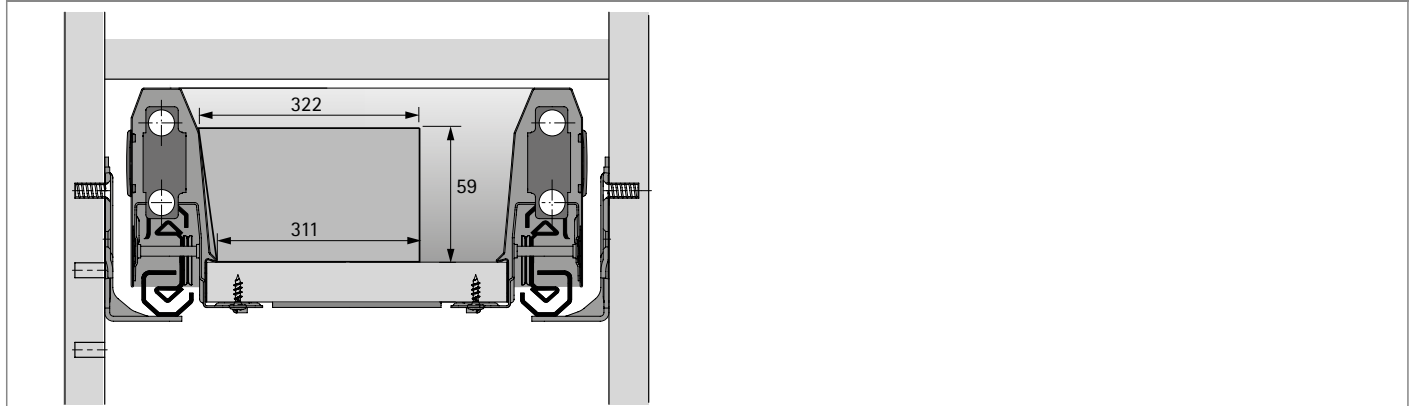
NL	D
500	473



W	CW
322	500-1200

NL = Nominal length D = Depth W = Width CW = Cabinet body width

Dimensional drawing



ArciTech double walled drawer system

- ▶ Interior organisation system for drawers and internal drawers
- ▶ Powder coated steel, white



- ▶ Variable in width
- ▶ Cabinet body widths up to 1200 mm can be produced by combining several articles

OrgaTray 230, cutlery tray



- ▶ Can be used individually in cabinets in widths from 450 mm - 600 mm
- ▶ Walnut

Set comprises:

- ▶ 1 cutlery tray 275 mm
- ▶ 2 bases 137 mm

Nominal length mm	Order no.	PU
450	9 199 583	1 set
500	9 199 598	1 set
550	9 199 603	1 set

OrgaTray 230, cooking utensil tray



- ▶ Can be used individually in cabinets in widths from 350 mm - 400 mm
- ▶ Walnut

Set comprises:

- ▶ 1 cooking utensil tray 200 mm
- ▶ 1 base 90 mm
- ▶ 1 base 110 mm

Nominal length mm	Order no.	PU
450	9 199 584	1 set
500	9 199 599	1 set
550	9 199 604	1 set

OrgaTray 230, roll holder



- ▶ Only in combination with cutlery or cooking utensil tray
- ▶ Walnut

Set comprises:

- ▶ 1 roll holder 100 mm
- ▶ 1 base 100 mm

Nominal length mm	Order no.	PU
450	9 199 585	1 set
500	9 199 600	1 set
550	9 199 605	1 set

ArciTech double walled drawer system

- ▶ Interior organisation system for drawers and internal drawers
- ▶ Powder coated steel, **white**

OrgaTray 230, spice rack



- ▶ Only in combination with cutlery or cooking utensil tray
- ▶ Walnut

Set comprises:

- ▶ 1 spice step 150 mm
- ▶ 1 base 150 mm

Nominal length mm	Order no.	PU
450	9 199 586	1 set
500	9 199 601	1 set
550	9 199 606	1 set

OrgaTray 230, knife holder



- ▶ Only in combination with cutlery or cooking utensil tray
- ▶ Walnut

Set comprises:

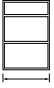
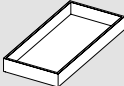
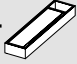

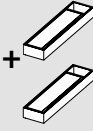
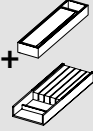
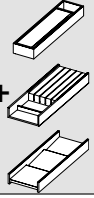
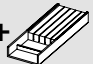
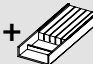
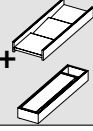


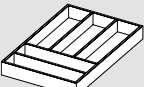
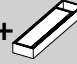
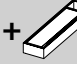
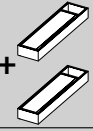
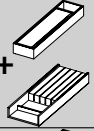
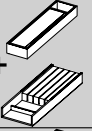

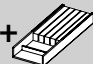
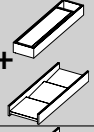
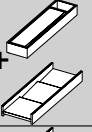
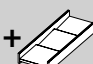
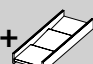
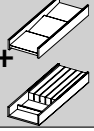
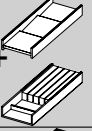



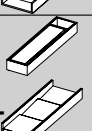
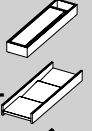
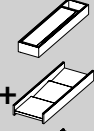
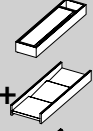
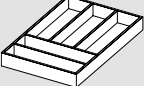
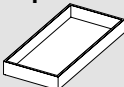
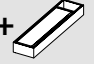
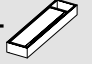
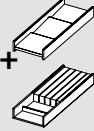
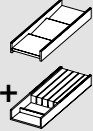
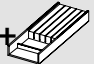

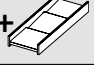

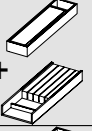
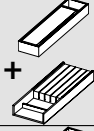
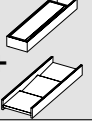
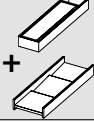
- ▶ 1 knife holder 150 mm
- ▶ 1 base 150 mm

Nominal length mm	Order no.	PU
450	9 199 597	1 set
500	9 199 602	1 set
550	9 199 617	1 set

ArciTech double walled drawer system

- ▶ Interior organisation system for drawers and internal drawers
- ▶ Powder coated steel, white

Possible combinations

	350	400	450	500	550	600	800	900	1000	1200
 + →										
										
										
 + →										
										
										
										
										
 +  + →										
										
										
										
										

ArciTech double walled drawer system

- ▶ Interior organisation system for drawers and pot-and-pan drawers
- ▶ Powder coated steel, white



- ▶ Flexible organiser system
- ▶ The self adhesive strips can be used in virtually any drawer
- ▶ The cross partitions and dividers in a thickness of 4 mm provide plenty of scope for individually tailored organisation

OrgaStripe profile



- ▶ For sticking onto coated engineered wood, steel and aluminium
- ▶ Length 1100 mm
- ▶ Plastic white

Order no.	PU
9 203 465	30 ea.

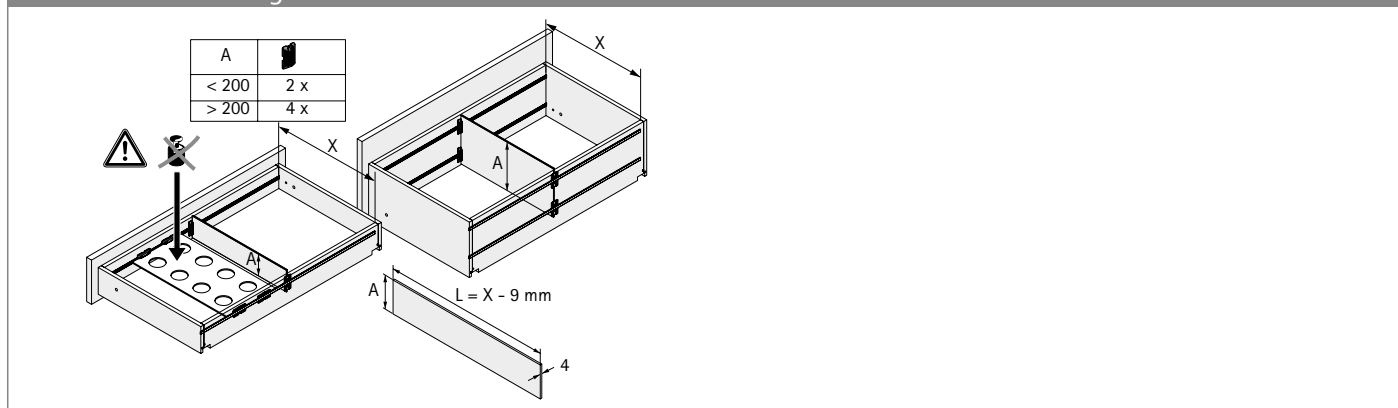
OrgaClip



- ▶ For installing into the OrgaStripe profile
- ▶ For 4 mm thick cross partition
- ▶ Material of cross partition can be freely selected
- ▶ Infinitely adjustable in the profile
- ▶ Plastic white

Order no.	PU
9 203 468	60 ea.

Dimensional drawing



ArciTech double walled drawer system

- ▶ Interior organisation system for pot-and-pan drawers and internal pot-and-pan drawers
- ▶ Powder coated steel, white



- ▶ For pot-and-pan drawer or internal pot-and-pan drawer with railing
- ▶ Crosswise railings and lengthwise dividers must be ordered separately
- ▶ It is recommended to fit an anti-slip mat

OrgaStore 400 customised width



- ▶ Suitable for customised cabinet body widths
- ▶ Crosswise railing, adapter and lengthwise divider must be ordered separately
- ▶ The crosswise railing is 2000 mm long and can be cut to any length
- ▶ Adapter, white plastic

Article	Length	Order no.	PU
Crosswise railing	2000	9 182 714	1 ea.
Adapter		9 182 223	1/30 ea.

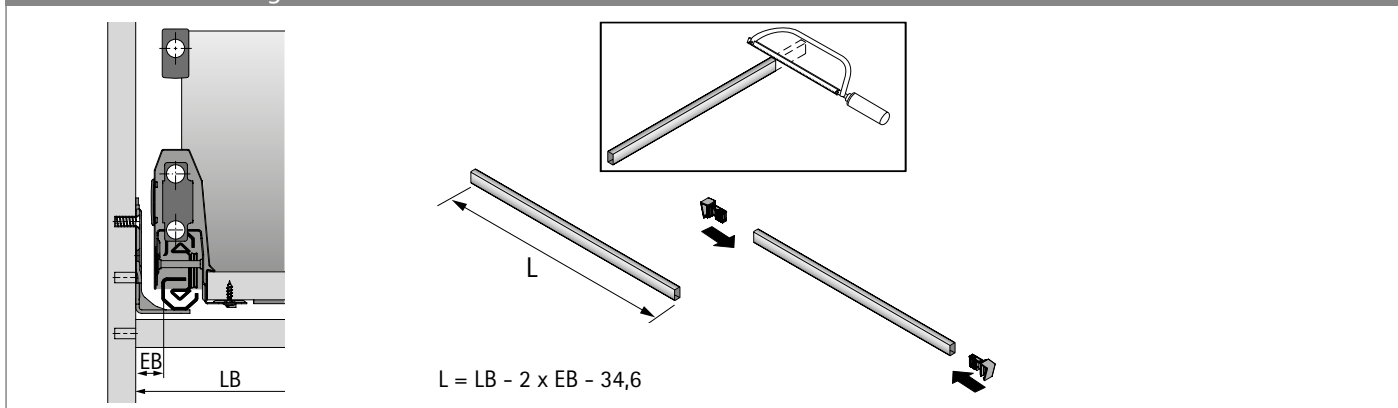
OrgaStore 400, lengthwise divider



- ▶ Plastic, white

Order no.	PU
9 182 227	1/15 ea.

Dimensional drawing



ArciTech double walled drawer system

- ▶ Interior organisation system for pot-and-pan drawers and internal pot-and-pan drawers
- ▶ Powder coated steel, white



- ▶ For inserting into the pot-and-pan drawer
- ▶ All cabinet body widths possible by combining basic and upgrade set

OrgaFlag basic set



- ▶ Adapted to standard cabinet body width
- ▶ Plastic, white

Set comprises:

- ▶ Perforated bases with non-slip coating
- ▶ Dividing elements

Cabinet body width mm	Order no. / Nominal length mm		PU
	450	500	
600	9 199 905	9 199 908	1 set
900	9 199 906	9 199 909	1 set

OrgaFlag upgrade set




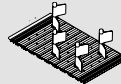


- ▶ Adding width to basic set
- ▶ Plastic, white

Set comprises:

- ▶ 2 perforated bases with non slip coating
- ▶ 1 dividing element

Cabinet body width mm	Order no. / Nominal length mm		PU
	450	500	
100	9 199 907	9 199 910	1 set

Possible combinations

 X	 600 mm	 900 mm	 100 mm	
300	1			
400	1			
450	1			
500	1			
600	1			
800	1			2
900		1		
1000		1		1
1200		1		3

ArciTech double walled drawer system

- ▶ Interior organisation system for pot-and-pan drawers and internal pot-and-pan drawers
- ▶ Powder coated steel, white



- ▶ Customised widths can be produced by cutting the profile to size
- ▶ Can be used for drawer side profile heights of 94 mm and 126 mm
- ▶ Plastic elements, white

Set comprises:

- ▶ 1 aluminium profile with plastic adapters
- ▶ Plastic dividing elements

OrgaStore 810 divider



- ▶ Height 125 mm
- ▶ Plastic white

Order no.	PU
9 182 230	1/15 ea.

OrgaStore 810 adapter



- ▶ Height 125 mm
- ▶ Plugs onto aluminium profile without the need for tools
- ▶ 2 adapters are required for a set
- ▶ Plastic white

Order no.	PU
9 182 233	1/30 ea.

OrgaStore 810 aluminium profile



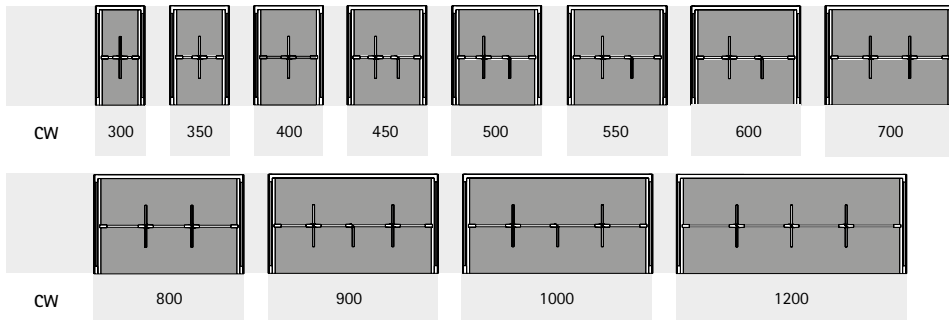
- ▶ Height 120 mm
- ▶ Length 2000 mm
- ▶ For cutting to length
- ▶ Adapters must be ordered separately
- ▶ White

Order no.	PU
9 182 249	1 ea.

ArciTech double walled drawer system

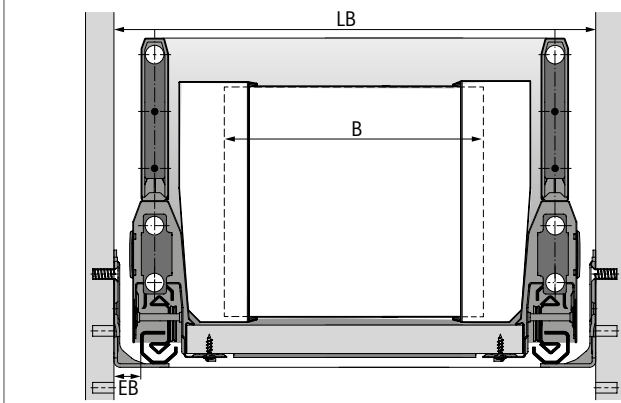
- ▶ Interior organisation system for pot-and-pan drawers and internal pot-and-pan drawers
- ▶ Powder coated steel, white

Divider



CW = Cabinet body width

Dimensional drawing



▶ $B = LB - 2 \times EB - 78$

ArciTech double walled drawer system

- ▶ Interior organisation system for pot-and-pan drawers and internal pot-and-pan drawers
- ▶ Powder coated steel, white



- ▶ Can be used in any way by combining different dividing elements with the perforated base

OrgaStore 230



- ▶ Adapted to standard cabinet body width
- ▶ Can be cut to any chosen length
- ▶ Walnut in matt lacquered finish
- ▶ Dividing elements must be ordered separately

Cabinet body width mm	Order no. / Nominal length mm		PU
	500	650	
600	9 199 670		1 ea.
800	9 199 671		1 ea.
900	9 199 672		1 ea.
1000	9 199 673		1 ea.
1200		9 199 680	1 ea.

OrgaStore 230 dividing rod



- ▶ Walnut

Order no.	PU
9 199 683	4 ea.

OrgaStore 230, angular divider



- ▶ Angular divider with premounted fixing pins
- ▶ 93 x 93 x 127 mm
- ▶ Walnut

Order no.	PU
9 199 682	2 ea.

- ▶ Interior organisation system for pot-and-pan drawers and internal pot-and-pan drawers
- ▶ Powder coated steel, **white**

OrgaStore 230, cross shaped divider



- ▶ Cross shaped divider with premounted fixing pins
- ▶ 179 x 179 x 127 mm
- ▶ Walnut

Order no.	PU
9 199 684	1 ea.

OrgaStore 230, cross partition



- ▶ Cross partition with premounted fixing pins
- ▶ 107 x 127 mm
- ▶ Walnut

Order no.	PU
9 199 674	1 ea.

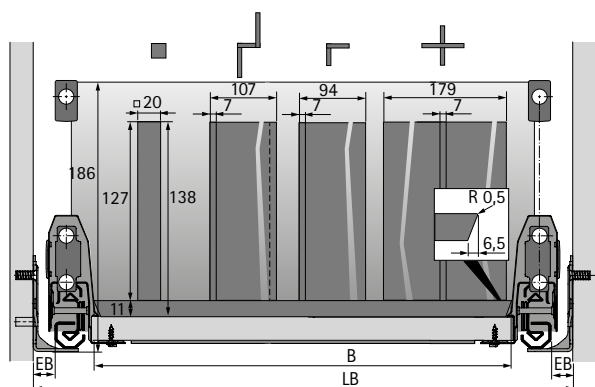
OrgaStore 230, container



- ▶ Container, small
- ▶ 236 x 261 x 127 mm
- ▶ Walnut

Width x depth x height mm	Order no.	PU
236 x 261 x 127	9 199 685	1 ea.
236 x 472 x 127	9 199 686	1 ea.

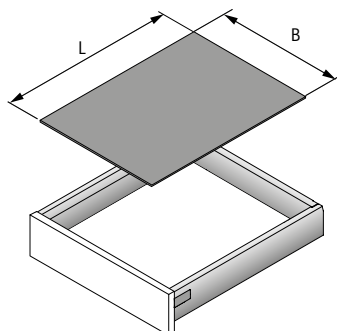
Dimensional drawing



- ▶ Trimmed width (B) = LB - 2 x EB - 54
- ▶ Trimmed depth = Nominal length (NL) - 27

- ▶ Interior organisation
- ▶ Powder coated steel, white

Anti-slip mat



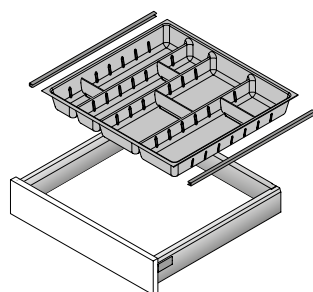
- ▶ For inserting into the drawer or pot-and-pan drawer
- ▶ 5 m roll
- ▶ Plastic, white

Advice:

- ▶ Trimmed width (B) = inside cabinet body width - 2 x EB - 62
- ▶ Cut length (L) = nominal length - 27

Nominal length mm	Order no.	PU
650	9 209 575	1 ea.

Edge profile



- ▶ For fitting to side, width of interior organisation must be reduced by 4 mm
- ▶ Can be shortened as required
- ▶ Plastic, chrome look

Order no.	PU
9 135 408	1 set

ArciTech double walled drawer system

- ▶ Range summary - solutions with bottom cutout
- ▶ Powder coated steel, white



OrgaTray 510
for drawers / pot-and-pan drawers

128



Banio
for drawers / pot-and-pan drawers

129



Metal surround for U bend cutout
for drawers / pot-and-pan drawers

130

ArciTech double walled drawer system

- ▶ Solutions with bottom cutout
- ▶ Powder coated steel, white

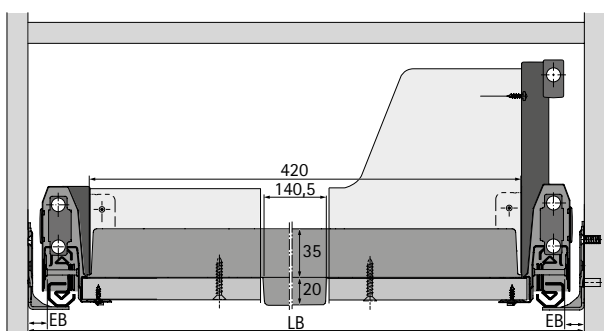


- ▶ Variable in width
- ▶ From 550 mm cabinet body width and 350 mm nominal length
- ▶ Plastic, white

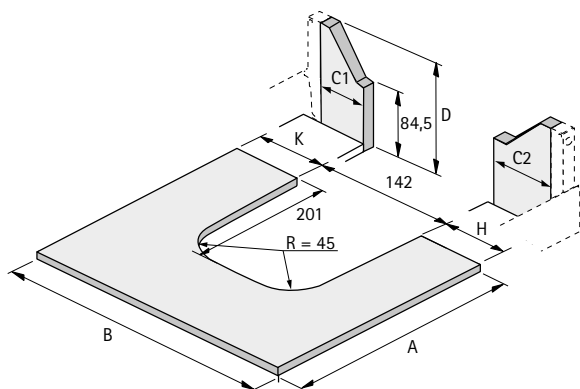
OrgaTray 510

Order no.	PU
9 207 046	1 ea.

Dimensional drawing



Dimensions for cutting to size



- ▶ Dimension A = NL - 24.5
- ▶ Dimension B = LB - 2 x EB - 52.5
- ▶ Dimension C1 = K - 6
- ▶ Dimension C2 = H - 6
- ▶ Dimension D = system height 94 and 126 - 9.5
- ▶ Dimension D = system height 186 to 282 - 10

ArciTech double walled drawer system

- ▶ Solutions with bottom cutout
- ▶ Powder coated steel, white



- ▶ For drawer or pot-and-pan drawer
- ▶ Can be used for nominal lengths up to 500 mm
- ▶ Recommended for use with cabinet body widths of 600 mm and over
- ▶ Frame height 87 mm in total
- ▶ Frame set and container set must be ordered separately

Banio frame set



- ▶ Plastic, white

Order no.	PU
9 153 385	1 set

Banio container set



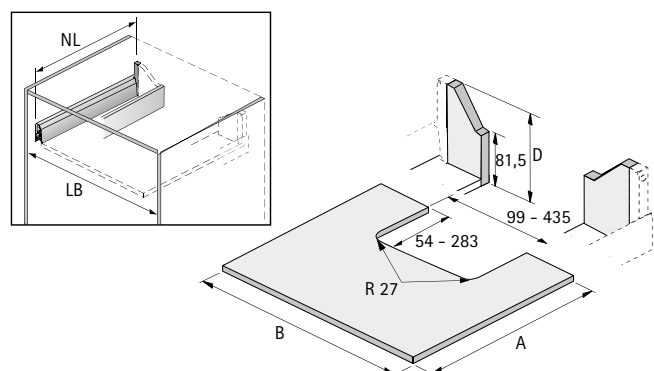
- ▶ The set comprises 3 containers
- ▶ 84 mm x 84 mm / 84 mm x 168 mm / 84 mm x 252 mm
- ▶ Plastic, translucent white

Set comprises:

- ▶ 3 trays, translucent plastic

Order no.	PU
9 153 388	1 set

Dimensions for cutting to size



- ▶ Dimension A = NL - 24.5
- ▶ Dimension B = LB - 2 x EB - 52.5
- ▶ Dimension D = system height 94 and 126 - 9.5
- ▶ Dimension D = system height 186 to 282 - 10

ArciTech double walled drawer system

- ▶ Solutions with bottom cutout
- ▶ Powder coated steel, white

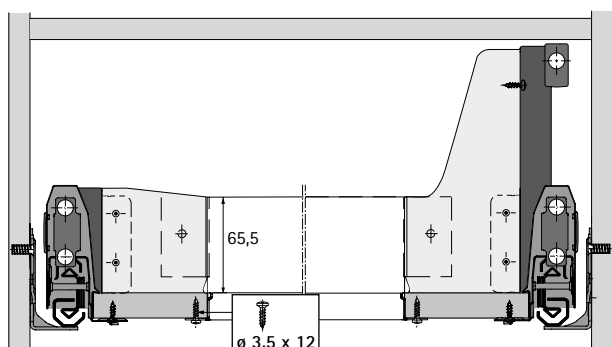


- ▶ For utilising the space below the U bend
- ▶ For drawers and pot-and-pan drawers

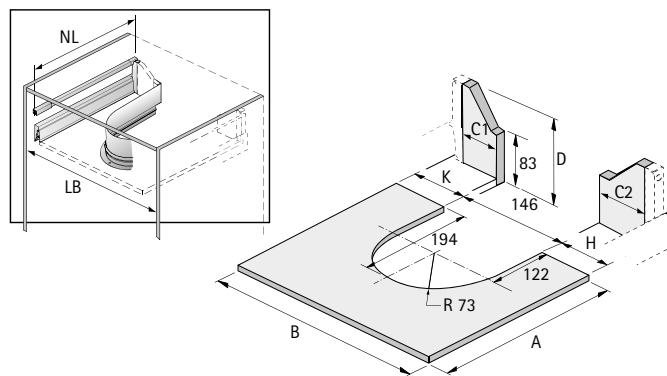
Metal surround for U bend cutout

Order no.	PU
9 204 283	1 ea.

Dimensional drawing



Dimensions for cutting to size



- ▶ Dimension A = NL - 24.5
- ▶ Dimension B = LB - 2 x EB - 52.5
- ▶ Dimension C1 = K - 6
- ▶ Dimension C2 = H - 6
- ▶ Dimension D = system height 94 and 126 - 9.5
- ▶ Dimension D = system height 186 to 282 - 10

ArciTech double walled drawer system

- ▶ Range summary - set pack
- ▶ Powder coated steel, anthracite



Drawer, height 78 mm

134 - 135



Drawer, height 94 mm

136 - 138



Internal drawer, height 94 mm

136 - 138



Drawer, height 126 mm

140 - 142



Internal drawer, height 126 mm

140 - 142



**Pot-and-pan drawer, height 186 mm
Drawer side profile height 94 mm**

144 - 147



**Internal pot-and-pan drawer, height 186 mm
Drawer side profile height 94 mm**

144 - 147



**Pot-and-pan drawer, height 186 mm
Drawer side profile height 126 mm**

148 - 150



**Internal pot-and-pan drawer, height 186 mm
Drawer side profile height 126 mm**

148 - 150



**Pot-and-pan drawer, height 218 mm
Drawer side profile height 94 mm**

152 - 155



**Internal pot-and-pan drawer, height 218 mm
Drawer side profile height 94 mm**

152 - 155



**Pot-and-pan drawer, height 218 mm
Drawer side profile height 126 mm**

156 - 159

ArciTech double walled drawer system



- ▶ Range summary – set pack
- ▶ Powder coated steel, anthracite



Internal pot-and-pan drawer, height 218 mm
Drawer side profile height 126 mm
156 - 159



Pot-and-pan drawer, height 250 mm
Drawer side profile height 94 mm
160 - 161



Pot-and-pan drawer, height 250 mm
Drawer side profile height 126 mm
162 - 164



Pot-and-pan drawer, height 282 mm
Drawer side profile height 94 mm
166 - 167



Pot-and-pan drawer, height 282 mm
Drawer side profile height 126 mm
168 - 169



Interior organisation for drawers /
internal drawers, range summary
171



Interior organisation for pot-and-pan drawers /
internal pot-and-pan drawers, range summary
171



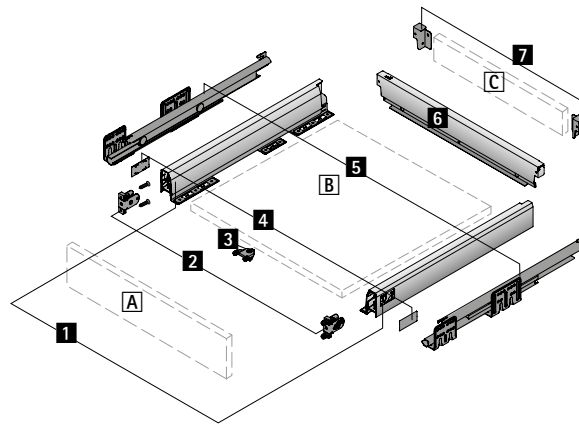
Solutions for drawers / pot-and-pan drawers
with bottom cutout, range summary
186

ArciTech double walled drawer system

- ▶ Drawer height 78 mm
- ▶ Powder coated steel, anthracite



Exploded diagram



Components

- 1** Drawer side profile, left and right
- 2** Drawer front connector for drawer side profile, 2 each
- 3** Front stabiliser
- 4** Cover cap, 2 each
- 5** Actro drawer runner, left and right, see page 206 - 209
- 6** Steel rear panel

Alternatively:

- C** Wooden rear panel and
- 7** Rear panel connector, left and right
- A** Front panel
- B** Bottom panel (material thickness 16 mm)
- C** Wooden rear panel (material thickness 16 mm)

Advice

- ▶ For technical information, see pages 224, 248 - 261
- ▶ Actro drawer runner, see page 206 - 209

- ▶ Drawer height **78 mm**
- ▶ Powder coated steel, **anthracite**

All inclusive sets

Drawer set

- ▶ E.g. for such applications as under-oven drawer

Set comprises:

- ▶ **1** 1 drawer side profile, left and right
- ▶ **2** 2 knock in drawer front connectors
- ▶ **4** 2 cover caps, anthracite plastic with Hettich logo
- ▶ **7** 1 rear panel connector, left and right
- ▶ Fixing material

Note: Please order your Actro runner separately, see page 206 - 209

Nominal length mm	Order no.	PU
500	9 234 493	1 set

Flexible sets

Drawer side profile set

- ▶ E.g. for such applications as under-oven drawer

Set comprises:

- ▶ **1** 1 drawer side profile, left and right
- ▶ **2** 2 knock in drawer front connectors
- ▶ **4** 2 cover caps, anthracite plastic with Hettich logo
- ▶ Fixing material



Rear panel connector set

- ▶ For wooden rear panel

Set comprises:

- ▶ **7** 1 rear panel connector, left and right
- ▶ Fixing material



Nominal height mm	Order no.	PU
78	9 150 500	1 set

Nominal length mm	Order no.	PU
500	9 234 471	1 set

3 Front panel stabiliser

- ▶ For stabilising wide front panels
- ▶ Recommended for use with cabinets in a width of 600 mm and over
- ▶ Plastic, anthracite



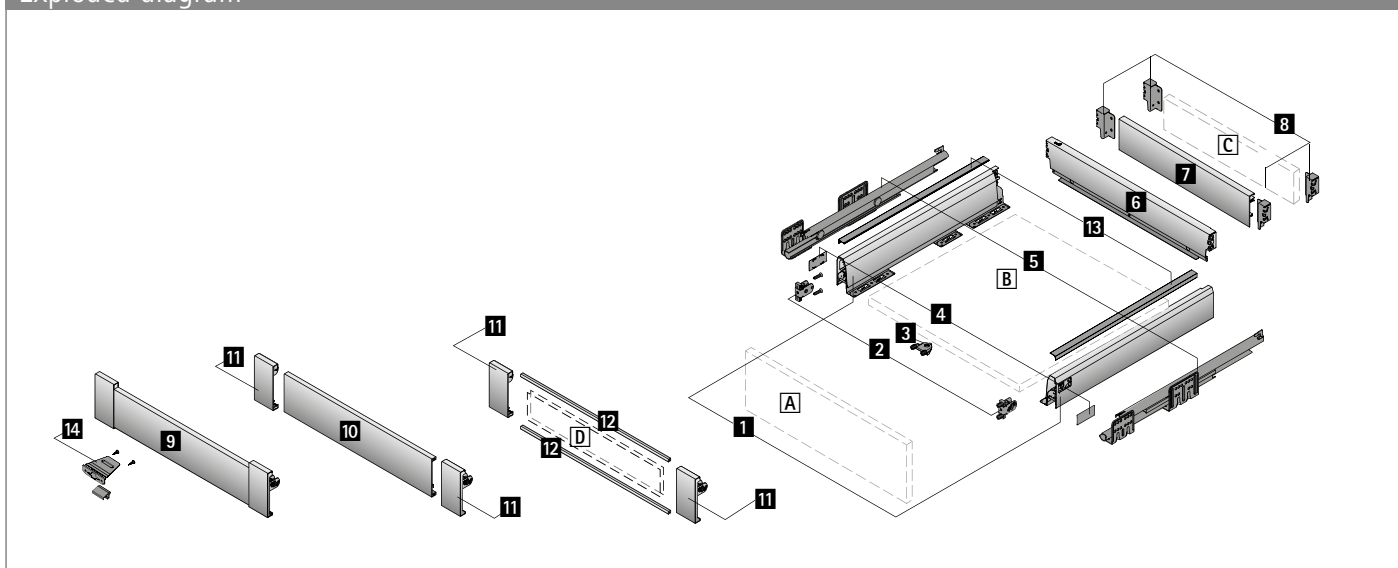
Order no.	PU
9 123 080	1/150 ea.

ArciTech double walled drawer system

- ▶ Drawer / internal drawer, height 94 mm
- ▶ Powder coated steel, anthracite



Exploded diagram



Components

- 1** Drawer side profile, left and right
- 2** Drawer front connector for drawer side profile, 2 each
- 3** Front stabiliser
- 4** Cover cap, 2 each
- 5** Actro drawer runner, left and right, see page 206 - 209

Alternatively:

- 7** Aluminium rear panel or **C** Wooden rear panel and
- 8** Rear panel connector, left and right
- 9** Front panel for internal drawer

Alternatively 1:

- 10** Aluminium front panel and
- 11** Connector for front panel

Alternatively 2:

- D** Front panel in any chosen material and
- 11** Connector for front panel and
- 12** Profile for front

Optional accessories:

- 13** Designer-type profile
- 14** Catch for internal front panel

- A** Front panel
- B** Bottom panel (material thickness 16 mm)
- C** Wooden rear panel (material thickness 16 mm)
- D** Front panel in any chosen material (material thickness 6 mm)

Advice

- ▶ For technical information, see pages 225 - 226, 248 - 261
- ▶ Actro drawer runner, see page 206 - 209

ArciTech double walled drawer system



- ▶ Drawer / internal drawer, **height 94 mm**
- ▶ Powder coated steel, **anthracite**

All inclusive sets

Drawer set

Set comprises:

- ▶ **1** 1 drawer side profile, left and right
- ▶ **2** 2 knock in drawer front connectors
- ▶ **4** 2 cover caps, anthracite plastic with Hettich logo
- ▶ **8** 1 rear panel connector, left and right
- ▶ Fixing material

Note: Please order your Actro runner separately, see page 206 - 209

Nominal length mm	Order no.	PU
270	9 150 521	1 set
300	9 150 522	1 set
350	9 150 523	1 set
400	9 150 524	1 set
450	9 150 525	1 set
500	9 150 526	1 set
550	9 150 527	1 set
650	9 150 528	1 set

Flexible sets

Drawer side profile set

Set comprises:

- ▶ **1** 1 drawer side profile, left and right
- ▶ **2** 2 knock in drawer front connectors
- ▶ **4** 2 cover caps, anthracite plastic with Hettich logo
- ▶ Fixing material



Rear panel connector set

- ▶ For wooden or **7** Aluminium rear panel

Set comprises:

- ▶ **8** 1 rear panel connector, left and right
- ▶ Fixing material



Nominal length mm	Order no.	PU
270	9 150 484	1 set
300	9 150 485	1 set
350	9 150 486	1 set
400	9 150 487	1 set
450	9 150 488	1 set
500	9 150 489	1 set
550	9 150 490	1 set
650	9 150 491	1 set

Nominal height mm	Order no.	PU
94	9 150 501	1 set

7 Aluminium rear panel

- ▶ For variable or standard cabinet body width
- ▶ For cutting to length
- ▶ Length 2000 mm
- ▶ Rear panel connector set must be ordered separately



Order no.	PU
9 192 201	1 ea.

3 Front panel stabiliser

- ▶ For stabilising wide and/or high front panels
- ▶ Recommended for use in cabinets in widths of 600 mm and over and / or front panel heights of 450 mm and over
- ▶ Plastic, anthracite



Order no.	PU
9 123 080	1/150 ea.

- ▶ Drawer / internal drawer, **height 94 mm**
- ▶ Powder coated steel, **anthracite**

Front panel for internal drawer

10 Aluminium front panel

- ▶ For variable or standard cabinet body width
- ▶ For cutting to length
- ▶ Length 2000 mm
- ▶ **11** Connectors for the front panel must be ordered separately



Order no.	PU
9 192 205	1 ea.

12 Profile for front

- ▶ For front panel in any chosen material
- ▶ For cutting to length, 2 profiles per front panel
- ▶ Length 2000 mm
- ▶ Aluminium, silver anodised
- ▶ **11** Connectors must be ordered separately



Order no.	PU
9 192 208	1 ea.

11 Connector for front panel

- ▶ For combination with **10** Aluminium front or, when using a front panel in any chosen material, **12** Profile for front
- ▶ When using any chosen material with a total load of up to 60 kg



Set comprises:

- ▶ 1 connector for front panel, left and right

Order no.	PU
9 140 121	1/15 set

14 Catch for internal front panel

- ▶ For screwing on
- ▶ Plastic, anthracite



Set comprises:

- ▶ 1 catch
- ▶ 1 profile height increaser
- ▶ Fixing material

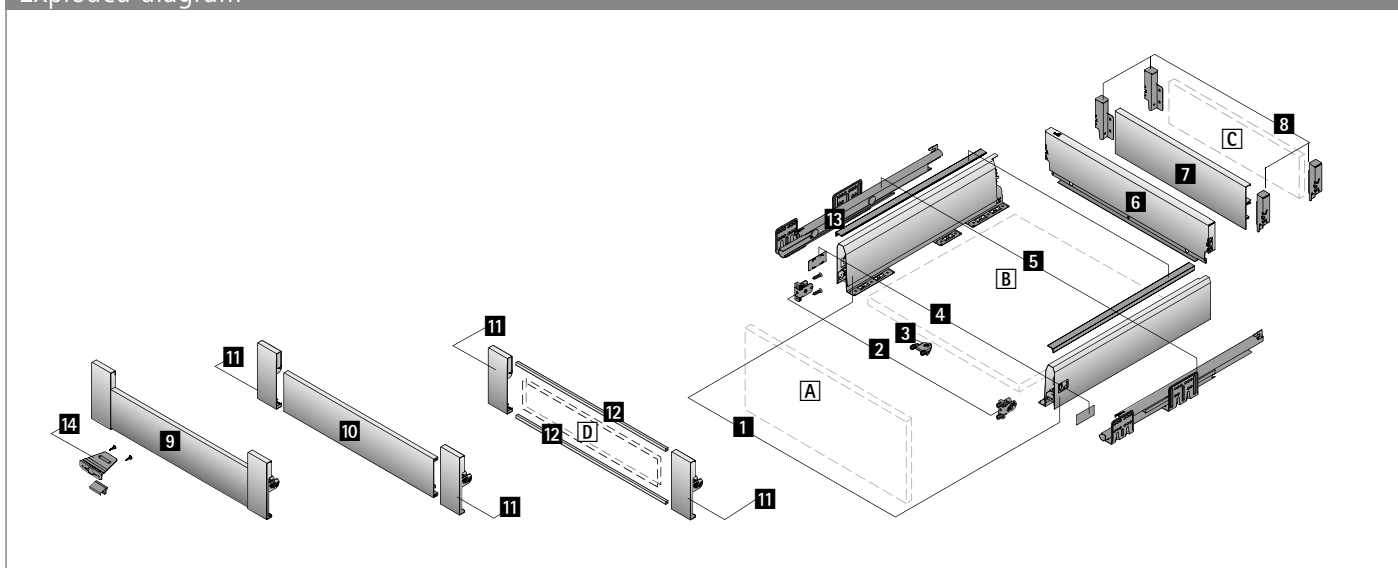
Order no.	PU
9 235 834	1 set

ArciTech double walled drawer system

- ▶ Drawer / internal drawer, height 126 mm
- ▶ Powder coated steel, anthracite



Exploded diagram



Components

- 1** Drawer side profile, left and right
- 2** Drawer front connector for drawer side profile, 2 each
- 3** Front stabiliser
- 4** Cover cap, 2 each
- 5** Actro drawer runner, left and right, see page 206 - 209

Alternatively:

- 7** Aluminium rear panel or **C** Wooden rear panel and
- 8** Rear panel connector, left and right
- 9** Front panel for internal drawer

Alternatively 1:

- 10** Aluminium front panel and
- 11** Connector for front panel

Alternatively 2:

- D** Front panel in any chosen material and
- 11** Connector for front panel and
- 12** Profile for front

Optional accessories:

- 13** Designer-type profile
- 14** Catch for internal front panel

- A** Front panel
- B** Bottom panel (material thickness 16 mm)
- C** Wooden rear panel (material thickness 16 mm)
- D** Front panel in any chosen material (material thickness 6 mm)

Advice

- ▶ For technical information, see pages 227 - 228, 248 - 261
- ▶ Actro drawer runner, see page 206 - 209

ArciTech double walled drawer system



- ▶ Drawer / internal drawer, **height 126 mm**
- ▶ Powder coated steel, **anthracite**

All inclusive sets

Drawer set

Set comprises:

- ▶ **1** 1 drawer side profile, left and right
- ▶ **2** 2 knock in drawer front connectors
- ▶ **4** 2 cover caps, anthracite plastic with Hettich logo
- ▶ **8** 1 rear panel connector, left and right
- ▶ Fixing material

Note: Please order your Actro runner separately, see page 206 - 209

Nominal length mm	Order no.	PU
270	9 150 529	1 set
300	9 150 530	1 set
350	9 150 531	1 set
400	9 150 532	1 set
450	9 150 533	1 set
500	9 150 534	1 set
550	9 150 535	1 set
650	9 150 536	1 set

Flexible sets

Drawer side profile set

Set comprises:

- ▶ **1** 1 drawer side profile, left and right
- ▶ **2** 2 knock in drawer front connectors
- ▶ **4** 2 cover caps, anthracite plastic with Hettich logo
- ▶ Fixing material



Rear panel connector set

- ▶ For wooden or **7** Aluminium rear panel

Set comprises:

- ▶ **8** 1 rear panel connector, left and right
- ▶ Fixing material



Nominal length mm	Order no.	PU
270	9 150 492	1 set
300	9 150 493	1 set
350	9 150 494	1 set
400	9 150 495	1 set
450	9 150 496	1 set
500	9 150 497	1 set
550	9 150 498	1 set
650	9 150 499	1 set

Nominal height mm	Order no.	PU
126	9 150 502	1 set

7 Aluminium rear panel

- ▶ For variable or standard cabinet body width
- ▶ For cutting to length
- ▶ Length 2000 mm
- ▶ Rear panel connector set must be ordered separately



Order no.	PU
9 192 195	1 ea.

3 Front panel stabiliser

- ▶ For stabilising wide and/or high front panels
- ▶ Recommended for use in cabinets in widths of 600 mm and over and / or front panel heights of 450 mm and over
- ▶ Plastic, anthracite



Order no.	PU
9 123 080	1/150 ea.

- ▶ Drawer / internal drawer, **height 126 mm**
- ▶ Powder coated steel, **anthracite**

Front panel for internal drawer

10 Aluminium front panel

- ▶ For variable or standard cabinet body width
- ▶ For cutting to length
- ▶ Length 2000 mm
- ▶ **11** Connectors for the front panel must be ordered separately



Order no.	PU
9 192 205	1 ea.

11 Connector for front panel

- ▶ For combination with **10** Aluminium front or, when using a front panel in any chosen material, **12** Profile for front
- ▶ When using any chosen material with a total load of up to 60 kg



Set comprises:

- ▶ 1 connector for front panel, left and right

Order no.	PU
9 140 122	1/15 set

12 Profile for front

- ▶ For front panel in any chosen material
- ▶ For cutting to length, 2 profiles per front panel
- ▶ Length 2000 mm
- ▶ Aluminium, silver anodised
- ▶ **11** Connectors must be ordered separately



Order no.	PU
9 192 208	1 ea.

14 Catch for internal front panel

- ▶ For screwing on
- ▶ Plastic, anthracite



Set comprises:

- ▶ 1 catch
- ▶ 1 profile height increaser
- ▶ Fixing material

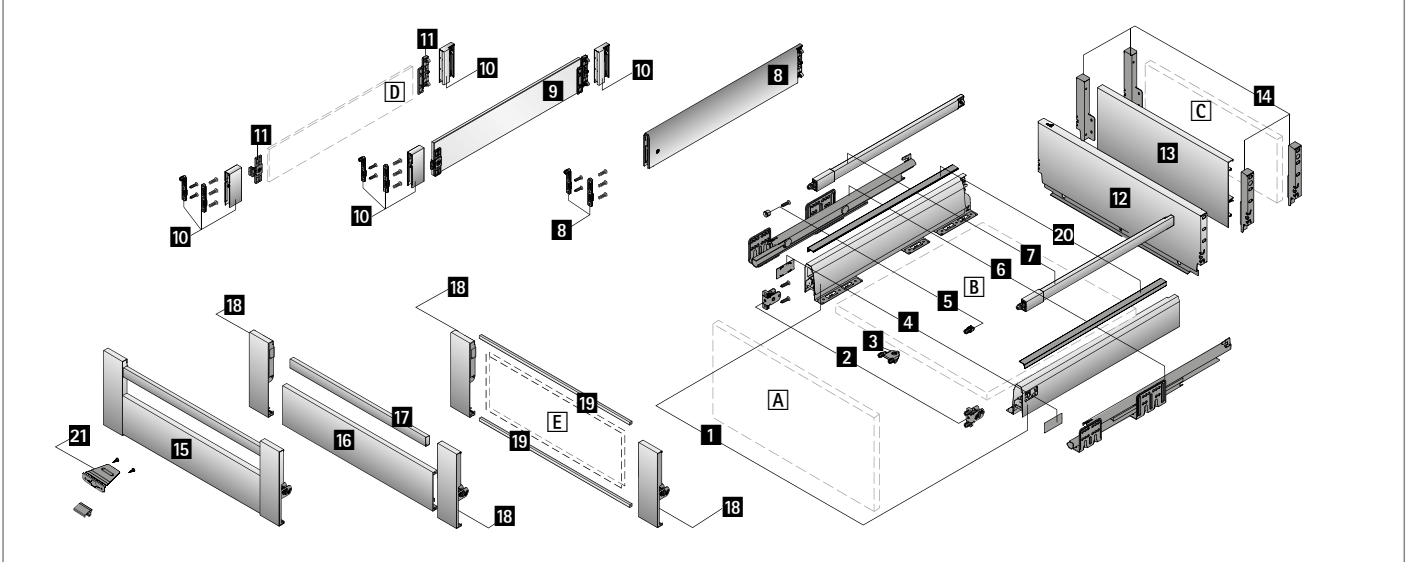
Order no.	PU
9 235 834	1 set

ArciTech double walled drawer system

- ▶ Pot-and-pan drawer / Internal pot-and-pan drawer, height 186 mm, drawer side profile height 94 mm
- ▶ Powder coated steel, anthracite



Exploded diagram



Components

- 1** Drawer side profile, left and right
- 2** Drawer front connector for drawer side profile, 2 each
- 3** Front stabiliser
- 4** Cover cap, 2 each
- 5** Drawer front connector for lengthwise railing, 2 each
- 6** Actro drawer runner, left and right, see page 206 - 209
- 7** Lengthwise railing, left and right
- Alternatively 1:**
 - 8** TopSide
- Alternatively 2:**
 - 9** DesignSide in glass and
 - 10** DesignSide adapter
- Alternatively 3:**
 - D** DesignSide in any chosen material and
 - 10** DesignSide adapter and
 - 11** DesignSide connector
- 12** Steel rear panel
- Alternatively:**
 - 13** Aluminium rear panel or **C** Wooden rear panel and
 - 14** Rear panel connector, left and right

- 15** Front panel for internal pot-and-pan drawer

Alternatively 1:

- 16** Aluminium front panel and
- 17** Railing for aluminium front panel and
- 18** Connector for front panel

Alternatively 2:

- E** Front panel in any chosen material and
- 18** Connector for front panel and
- 19** Profile for front

Optional accessories:

- 20** Designer-type profile
- 21** Catch for internal front panel
- A** Front panel
- B** Bottom panel (material thickness 16 mm)
- C** Wooden rear panel (material thickness 16 mm)
- D** DesignSide in any chosen material (material thickness 8 mm)
- E** Front panel in any chosen material (material thickness 6 mm)

Advice

- ▶ For technical information, see pages 229 - 232, 248 - 261
- ▶ Actro drawer runner, see page 206 - 209

- ▶ Pot-and-pan drawer / Internal pot-and-pan drawer, height 186 mm, drawer side profile height 94 mm
- ▶ Powder coated steel, anthracite

All inclusive sets

Pot-and-pan drawer set

Set comprises:

- ▶ **1** 1 drawer side profile, left and right
- ▶ **2** 2 knock in drawer front connectors
- ▶ **4** 2 cover caps, anthracite plastic with Hettich logo
- ▶ **7** 1 lengthwise railing, left and right, and **5** 2 knock in drawer front connectors **or**
- ▶ **8** 1 TopSide set, including drawer front connectors **or**
- ▶ **9** 1 DesignSide set in glass and . DesignSide adapter, including drawer front connectors
- ▶ **14** 1 rear panel connector, left and right
- ▶ Fixing material

Note: Please order your Actro runner separately, see page 206 - 209

Nominal length mm	Order no. / Article			PU
	Lengthwise railing	TopSide	DesignSide	
270	9 150 537		9 150 546	1 set
300	9 150 538		9 150 547	1 set
350	9 150 539		9 150 548	1 set
400	9 150 540	9 150 554	9 150 549	1 set
450	9 150 542	9 150 555	9 150 550	1 set
500	9 150 543	9 150 556	9 150 551	1 set
550	9 150 544	9 150 557	9 150 552	1 set
650	9 150 545	9 150 558	9 150 553	1 set

Flexible sets

Drawer side profile set

Set comprises:

- ▶ **1** 1 drawer side profile, left and right
- ▶ **2** 2 knock in drawer front connectors
- ▶ **4** 2 cover caps, anthracite plastic with Hettich logo
- ▶ Fixing material



Rear panel connector set

- ▶ For wooden or **13** Aluminium rear panel

Set comprises:

- ▶ **14** 1 rear panel connector, left and right
- ▶ Fixing material



Nominal length mm	Order no.	PU
270	9 150 484	1 set
300	9 150 485	1 set
350	9 150 486	1 set
400	9 150 487	1 set
450	9 150 488	1 set
500	9 150 489	1 set
550	9 150 490	1 set
650	9 150 491	1 set

Nominal height mm	Order no.	PU
186	9 150 503	1 set

13 Aluminium rear panel

- ▶ For variable or standard cabinet body width
- ▶ For cutting to length
- ▶ Length 2000 mm
- ▶ Rear panel connector set must be ordered separately



Order no.	PU
9 192 190	1 ea.

Lengthwise railing set

Set comprises:

- ▶ **7** 1 lengthwise railing, left and right
- ▶ **5** 2 knock in drawer front connectors



Nominal length mm	Order no.	PU
270	9 150 512	1 set
300	9 150 513	1 set
350	9 150 514	1 set
400	9 150 515	1 set
450	9 150 516	1 set
500	9 150 517	1 set
550	9 150 518	1 set
650	9 150 519	1 set

- ▶ Pot-and-pan drawer / Internal pot-and-pan drawer, **height 186 mm**, drawer side profile **height 94 mm**
- ▶ Powder coated steel, **anthracite**

8 TopSide

Set comprises:

- ▶ 1 TopSide, left and right
- ▶ 2 front connectors for knocking in and for screwing on



Nominal length mm	Order no.	PU
400	9 122 913	1 set
450	9 122 917	1 set
500	9 122 921	1 set
550	9 122 925	1 set
650	9 122 933	1 set

9 DesignSide in glass

- ▶ Float glass, clear, with glued on connectors
- ▶ Material 8mm thick
- ▶ **10** DesignSide adapters must be ordered separately



Set comprises:

- ▶ 1 DesignSide with glued on connectors, left and right

Nominal length mm	Order no.	PU
270	9 122 983	1 set
300	9 122 984	1 set
350	9 122 985	1 set
400	9 122 986	1 set
450	9 122 987	1 set
500	9 122 988	1 set
550	9 122 989	1 set
650	9 122 990	1 set

10 DesignSide adapter

- ▶ For combination with **9** DesignSide in glass or, when using a DesignSide in any chosen material, **11** DesignSide connector



Set comprises:

- ▶ 1 DesignSide adapter, front, left and right
- ▶ 1 DesignSide adapter, rear, left and right
- ▶ 2 front connectors for knocking in and for screwing on

Order no.	PU
9 122 974	1 set

11 DesignSide connector

- ▶ For combination with DesignSide in any chosen material
- ▶ For gluing or screwing (Ø 3 x 10)
- ▶ **10** DesignSide adapters must be ordered separately



Set comprises:

- ▶ 1 DesignSide connector, front, left and right
- ▶ 1 DesignSide connector, rear, left and right

Order no.	PU
9 122 998	1/15 set

3 Front panel stabiliser

- ▶ For stabilising wide and/or high front panels
- ▶ Recommended for use in cabinets in widths of 600 mm and over and / or front panel heights of 450 mm and over
- ▶ Plastic, anthracite



Order no.	PU
9 123 080	1/150 ea.

- ▶ Pot-and-pan drawer / Internal pot-and-pan drawer, height 186 mm, drawer side profile height 94 mm
- ▶ Powder coated steel, anthracite

Front panel for internal pot-and-pan drawer

16 Aluminium front panel

- ▶ For variable or standard cabinet body width
- ▶ For cutting to length
- ▶ Length 2000 mm
- ▶ **17** Railing and **18** Connectors for the front panel must be ordered separately



Order no.	PU
9 192 205	1 ea.

17 Railing for aluminium front panel

- ▶ Steel
- ▶ For variable or standard cabinet body width
- ▶ For cutting to length
- ▶ Length 2000 mm
- ▶ **16** Aluminium front panel and **18** Connectors for the front panel must be ordered separately



Order no.	PU
9 182 712	1 ea.

18 Connector for front panel

- ▶ For combination with **16** Aluminium front panel and **17** Railing for front panel or, when using a front panel in any chosen material, **19** Profile for front
- ▶ When using any chosen material with a total load of up to 60 kg



Set comprises:

- ▶ 1 connector for front panel, left and right

Order no.	PU
9 140 123	1/15 set

19 Profile for front

- ▶ For front panel in any chosen material
- ▶ For cutting to length, 2 profiles per front panel
- ▶ Length 2000 mm
- ▶ Aluminium, silver anodised
- ▶ **18** Connectors must be ordered separately



Order no.	PU
9 192 208	1 ea.

21 Catch for internal front panel

- ▶ For screwing on
- ▶ Plastic, grey



Set comprises:

- ▶ 1 catch
- ▶ 1 profile height increaser
- ▶ Fixing material

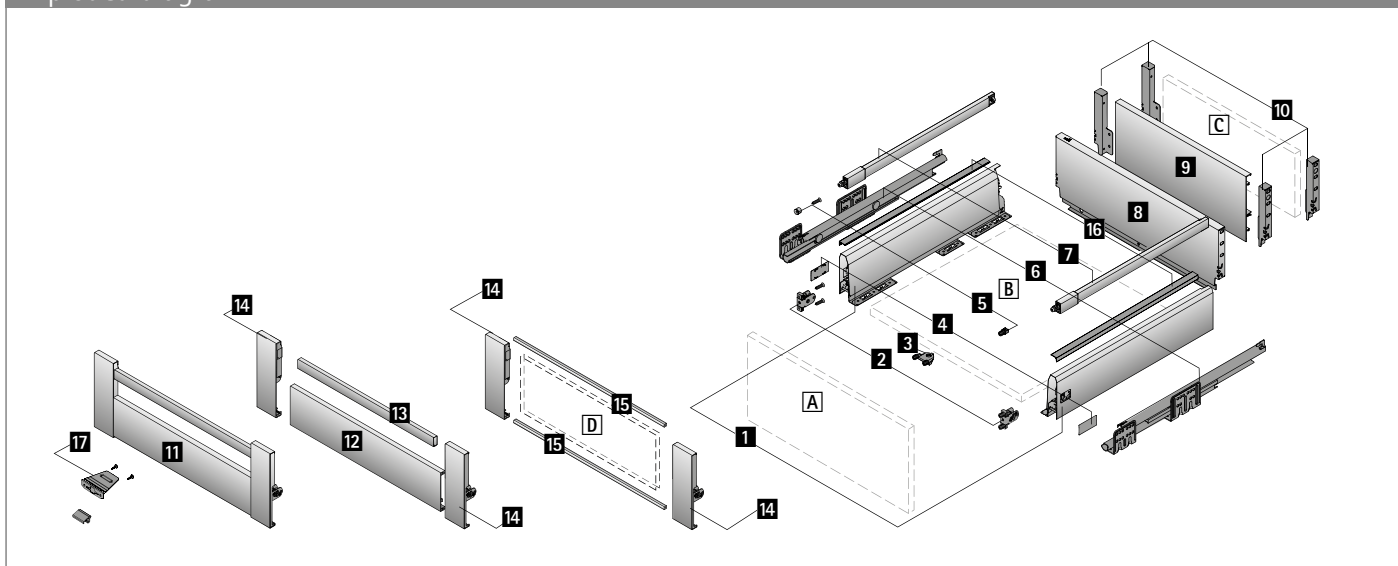
Order no.	PU
9 235 834	1 set

ArciTech double walled drawer system

- ▶ Pot-and-pan / internal pot-and-pan drawer, **height 186 mm**, drawer side profile **height 126 mm**
- ▶ Powder coated steel, **anthracite**



Exploded diagram



Components

- 1** Drawer side profile, left and right
- 2** Drawer front connector for drawer side profile, 2 each
- 3** Front stabiliser
- 4** Cover cap, 2 each
- 5** Drawer front connector for lengthwise railing, 2 each
- 6** Actro drawer runner, left and right, see page 206 - 209
- 7** Lengthwise railing, left and right
- 8** Steel rear panel

Alternatively:

- 9** Aluminium rear panel or **C** Wooden rear panel and
- 10** Rear panel connector, left and right
- 11** Front panel for internal pot-and-pan drawer

Alternatively 1:

- 12** Aluminium front panel and
- 13** Railing for aluminium front panel and
- 14** Connector for front panel

Alternatively 2:

- D** Front panel in any chosen material and
- 14** Connector for front panel and
- 15** Profile for front

Optional accessories:

- 16** Designer-type profile
- 17** Catch for internal front panel
- A** Front panel
- B** Bottom panel (material thickness 16 mm)
- C** Wooden rear panel (material thickness 16 mm)
- D** Front panel in any chosen material (material thickness 6 mm)

Advice

- ▶ For technical information, see pages 233 - 234, 248 - 261
- ▶ Actro drawer runner, see page 206 - 209

ArciTech double walled drawer system



- ▶ Pot-and-pan / internal pot-and-pan drawer, height 186 mm, drawer side profile height 126 mm
- ▶ Powder coated steel, anthracite

All inclusive sets

Pot-and-pan drawer set with lengthwise railing

Set comprises:

- ▶ **1** 1 drawer side profile, left and right
- ▶ **2** 2 knock in drawer front connectors
- ▶ **4** 2 cover caps, anthracite plastic with Hettich logo
- ▶ **7** 1 lengthwise railing, left and right
- ▶ **5** 2 knock in drawer front connectors
- ▶ **10** 1 rear panel connector, left and right
- ▶ Fixing material

Note: Please order your Actro runner separately, see page 206 - 209

Nominal length mm	Order no.	PU
270	9 150 559	1 set
300	9 150 560	1 set
350	9 150 562	1 set
400	9 150 563	1 set
450	9 150 564	1 set
500	9 150 565	1 set
550	9 150 566	1 set
650	9 150 567	1 set

Flexible sets

Drawer side profile set

Set comprises:

- ▶ **1** 1 drawer side profile, left and right
- ▶ **2** 2 knock in drawer front connectors
- ▶ **4** 2 cover caps, anthracite plastic with Hettich logo
- ▶ Fixing material



Rear panel connector set

- ▶ For wooden or **9** Aluminium rear panel

Set comprises:

- ▶ **10** 1 rear panel connector, left and right
- ▶ Fixing material



Nominal length mm	Order no.	PU
270	9 150 492	1 set
300	9 150 493	1 set
350	9 150 494	1 set
400	9 150 495	1 set
450	9 150 496	1 set
500	9 150 497	1 set
550	9 150 498	1 set
650	9 150 499	1 set

Nominal height mm	Order no.	PU
186	9 150 503	1 set

9 Aluminium rear panel

- ▶ For variable or standard cabinet body width
- ▶ For cutting to length
- ▶ Length 2000 mm
- ▶ Rear panel connector set must be ordered separately



Order no.	PU
9 192 190	1 ea.

Lengthwise railing set

Set comprises:

- ▶ **7** 1 lengthwise railing, left and right
- ▶ **5** 2 knock in drawer front connectors



Nominal length mm	Order no.	PU
270	9 150 512	1 set
300	9 150 513	1 set
350	9 150 514	1 set
400	9 150 515	1 set
450	9 150 516	1 set
500	9 150 517	1 set
550	9 150 518	1 set
650	9 150 519	1 set

3 Front panel stabiliser

- ▶ For stabilising wide and/or high front panels
- ▶ Recommended for use in cabinets in widths of 600 mm and over and / or front panel heights of 450 mm and over
- ▶ Plastic, anthracite



Order no.	PU
9 123 080	1/150 ea.

- ▶ Pot-and-pan / internal pot-and-pan drawer, **height 186 mm**, drawer side profile **height 126 mm**
- ▶ Powder coated steel, **anthracite**

Front panel for internal pot-and-pan drawer

12 Aluminium front panel

- ▶ For variable or standard cabinet body width
- ▶ For cutting to length
- ▶ Length 2000 mm
- ▶ **13** Railing and **14** Connectors for the front panel must be ordered separately



Order no.	PU
9 192 205	1 ea.

13 Railing for aluminium front panel

- ▶ Steel
- ▶ For variable or standard cabinet body width
- ▶ For cutting to length
- ▶ Length 2000 mm
- ▶ **11** Aluminium front panel and **14** Connectors for the front panel must be ordered separately



Order no.	PU
9 182 712	1 ea.

14 Connector for front panel

- ▶ For combination with **12** aluminium front panel and **13** Railing for front panel or, when using a front panel in any chosen material, **15** Profile for front
- ▶ When using any chosen material with a total load of up to 60 kg



Set comprises:

- ▶ 1 connector for front panel, left and right

Order no.	PU
9 140 123	1/15 set

15 Profile for front

- ▶ For front panel in any chosen material
- ▶ For cutting to length, 2 profiles per front panel
- ▶ Length 2000 mm
- ▶ Aluminium, silver anodised
- ▶ **14** Connectors must be ordered separately



Order no.	PU
9 192 208	1 ea.

17 Catch for internal front panel

- ▶ For screwing on
- ▶ Plastic, grey



Set comprises:

- ▶ 1 catch
- ▶ 1 profile height increaser
- ▶ Fixing material

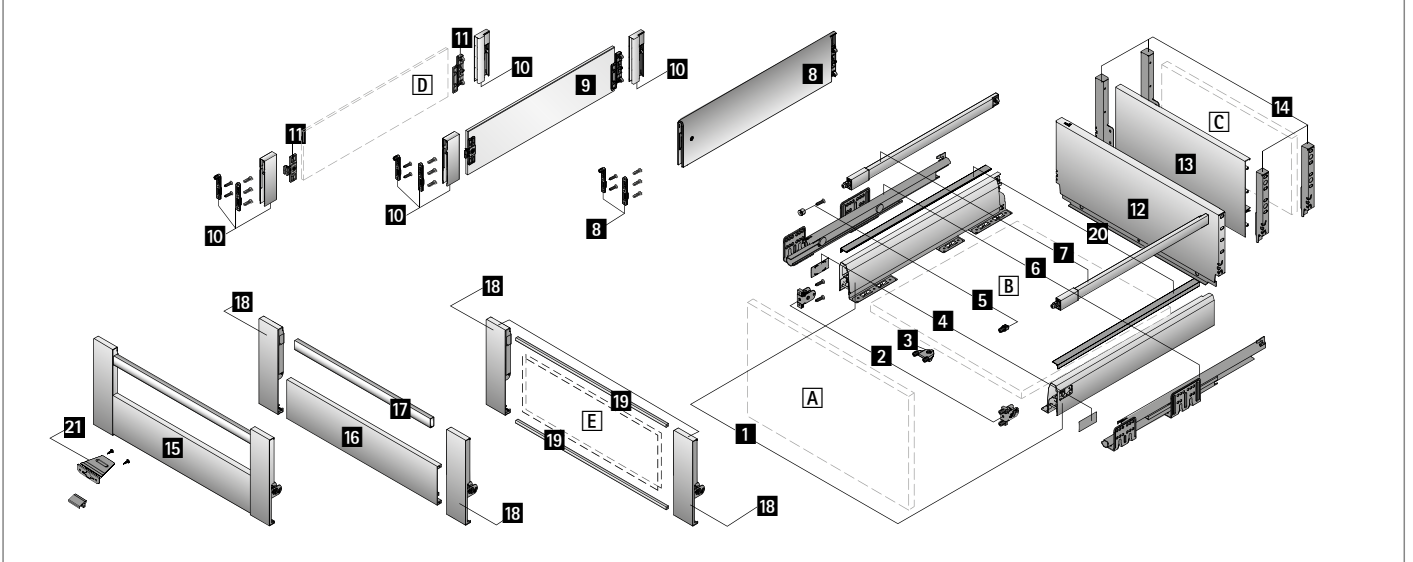
Order no.	PU
9 235 834	1 set

ArciTech double walled drawer system

- ▶ Pot-and-pan drawer / internal pot-and-pan drawer, height 218 mm, drawer side profile height 94 mm
- ▶ Powder coated steel, anthracite



Exploded diagram



Components

- 1** Drawer side profile, left and right
- 2** Drawer front connector for drawer side profile, 2 each
- 3** Front stabiliser
- 4** Cover cap, 2 each
- 5** Drawer front connector for lengthwise railing, 2 each
- 6** Actro drawer runner, left and right, see page 206 - 209
- 7** Lengthwise railing, left and right
- Alternatively 1:**
 - 8** TopSide
- Alternatively 2:**
 - 9** DesignSide in glass and
 - 10** DesignSide adapter
- Alternatively 3:**
 - D** DesignSide in any chosen material and
 - 10** DesignSide adapter and
 - 11** DesignSide connector
- 12** Steel rear panel
- Alternatively:**
 - 13** Aluminium rear panel or **C** Wooden rear panel and
 - 14** Rear panel connector, left and right

- 15** Front panel for internal pot-and-pan drawer

Alternatively 1:

- 16** Aluminium front panel and
- 17** Railing for aluminium front panel and
- 18** Connector for front panel

Alternatively 2:

- E** Front panel in any chosen material and
- 18** Connector for front panel and
- 19** Profile for front

Optional accessories:

- 20** Designer-type profile
- 21** Catch for internal front panel
- A** Front panel
- B** Bottom panel (material thickness 16 mm)
- C** Wooden rear panel (material thickness 16 mm)
- D** DesignSide in any chosen material (material thickness 8 mm)
- E** Front panel in any chosen material (material thickness 6 mm)

Advice

- ▶ For technical information, see pages 235 - 238, 248 - 261
- ▶ Actro drawer runner, see page 206 - 209

- ▶ Pot-and-pan drawer / internal pot-and-pan drawer, height 218 mm, drawer side profile height 94 mm
- ▶ Powder coated steel, anthracite

All inclusive sets

Pot-and-pan drawer set

Set comprises:

- ▶ **1** 1 drawer side profile, left and right
- ▶ **2** 2 knock in drawer front connectors
- ▶ **4** 2 cover caps, anthracite plastic with Hettich logo
- ▶ **7** 1 lengthwise railing, left and right, and **5** 2 knock in drawer front connectors **or**
- ▶ **8** 1 TopSide set, including drawer front connectors **or**
- ▶ **9** 1 DesignSide set in glass and . DesignSide adapter, including drawer front connectors
- ▶ **14** 1 rear panel connector, left and right
- ▶ Fixing material

Note: Please order your Actro runner separately, see page 206 - 209

Nominal length mm	Order no. / Article			PU
	Lengthwise railing	TopSide	DesignSide	
270	9 150 568		9 150 576	1 set
300	9 150 569		9 150 577	1 set
350	9 150 570		9 150 578	1 set
400	9 150 571	9 150 657	9 150 579	1 set
450	9 150 572	9 150 658	9 150 580	1 set
500	9 150 573	9 150 659	9 150 581	1 set
550	9 150 574	9 150 660	9 150 582	1 set
650	9 150 575	9 150 661	9 150 583	1 set

Flexible sets

Drawer side profile set

Set comprises:

- ▶ **1** 1 drawer side profile, left and right
- ▶ **2** 2 knock in drawer front connectors
- ▶ **4** 2 cover caps, anthracite plastic with Hettich logo
- ▶ Fixing material



Rear panel connector set

- ▶ For wooden or **13** Aluminium rear panel
- ▶ Set comprises:
- ▶ **14** 1 rear panel connector, left and right
- ▶ Fixing material



Nominal length mm	Order no.	PU
270	9 150 484	1 set
300	9 150 485	1 set
350	9 150 486	1 set
400	9 150 487	1 set
450	9 150 488	1 set
500	9 150 489	1 set
550	9 150 490	1 set
650	9 150 491	1 set

Nominal height mm	Order no.	PU
218	9 150 505	1 set

13 Aluminium rear panel

- ▶ For variable or standard cabinet body width
- ▶ For cutting to length
- ▶ Length 2000 mm
- ▶ Rear panel connector set must be ordered separately



Order no.	PU
9 192 183	1 ea.

Lengthwise railing set

Set comprises:

- ▶ **7** 1 lengthwise railing, left and right
- ▶ **5** 2 knock in drawer front connectors



Nominal length mm	Order no.	PU
270	9 150 512	1 set
300	9 150 513	1 set
350	9 150 514	1 set
400	9 150 515	1 set
450	9 150 516	1 set
500	9 150 517	1 set
550	9 150 518	1 set
650	9 150 519	1 set

- ▶ Pot-and-pan drawer / internal pot-and-pan drawer, **height 218 mm**, drawer side profile **height 94 mm**
- ▶ Powder coated steel, **anthracite**

8 TopSide

Set comprises:

- ▶ 1 TopSide, left and right
- ▶ 2 front connectors for knocking in and for screwing on



Nominal length mm	Order no.	PU
400	9 122 950	1 set
450	9 122 954	1 set
500	9 122 958	1 set
550	9 122 962	1 set
650	9 122 970	1 set

9 DesignSide in glass

- ▶ Float glass, clear, with glued on connectors
- ▶ Material 8mm thick
- ▶ **10** DesignSide adapters must be ordered separately



Set comprises:

- ▶ 1 DesignSide with glued on connectors, left and right

Nominal length mm	Order no.	PU
270	9 122 991	1 set
300	9 122 992	1 set
350	9 122 993	1 set
400	9 122 994	1 set
450	9 122 995	1 set
500	9 122 996	1 set
550	9 122 997	1 set
650	9 123 078	1 set

10 DesignSide adapter

- ▶ For combination with **9** DesignSide in glass or, when using a DesignSide in any chosen material, **11** DesignSide connector



Set comprises:

- ▶ 1 DesignSide adapter, front, left and right
- ▶ 1 DesignSide adapter, rear, left and right
- ▶ 2 front connectors for knocking in and for screwing on

Order no.	PU
9 122 979	1 set

11 DesignSide connector

- ▶ For combination with DesignSide in any chosen material
- ▶ For gluing or screwing (Ø 3 x 10)
- ▶ **10** DesignSide adapters must be ordered separately



Set comprises:

- ▶ 1 DesignSide connector, front, left and right
- ▶ 1 DesignSide connector, rear, left and right

Order no.	PU
9 122 998	1/15 set

3 Front panel stabiliser

- ▶ For stabilising wide and/or high front panels
- ▶ Recommended for use in cabinets in widths of 600 mm and over and / or front panel heights of 450 mm and over
- ▶ Plastic, anthracite



Order no.	PU
9 123 080	1/150 ea.

- ▶ Pot-and-pan drawer / internal pot-and-pan drawer, height 218 mm, drawer side profile height 94 mm
- ▶ Powder coated steel, anthracite

Front panel for internal pot-and-pan drawer

16 Aluminium front panel

- ▶ For variable or standard cabinet body width
- ▶ For cutting to length
- ▶ Length 2000 mm
- ▶ **17** Railing and **18** Connectors for the front panel must be ordered separately



Order no.	PU
9 192 205	1 ea.

17 Railing for aluminium front panel

- ▶ Steel
- ▶ For variable or standard cabinet body width
- ▶ For cutting to length
- ▶ Length 2000 mm
- ▶ **16** Aluminium front panel and **18** Connectors for the front panel must be ordered separately



Order no.	PU
9 182 712	1 ea.

18 Connector for front panel

- ▶ For combination with **16** Aluminium front panel and **17** Railing for front panel or, when using a front panel in any chosen material, **19** Profile for front
- ▶ When using any chosen material with a total load of up to 60 kg



Set comprises:

- ▶ 1 connector for front panel, left and right

Order no.	PU
9 140 124	1/15 set

19 Profile for front

- ▶ For front panel in any chosen material
- ▶ For cutting to length, 2 profiles per front panel
- ▶ Length 2000 mm
- ▶ Aluminium, silver anodised
- ▶ **18** Connectors must be ordered separately



Order no.	PU
9 192 208	1 ea.

21 Catch for internal front panel

- ▶ For screwing on
- ▶ Plastic, anthracite



Set comprises:

- ▶ 1 catch
- ▶ 1 profile height increaser
- ▶ Fixing material

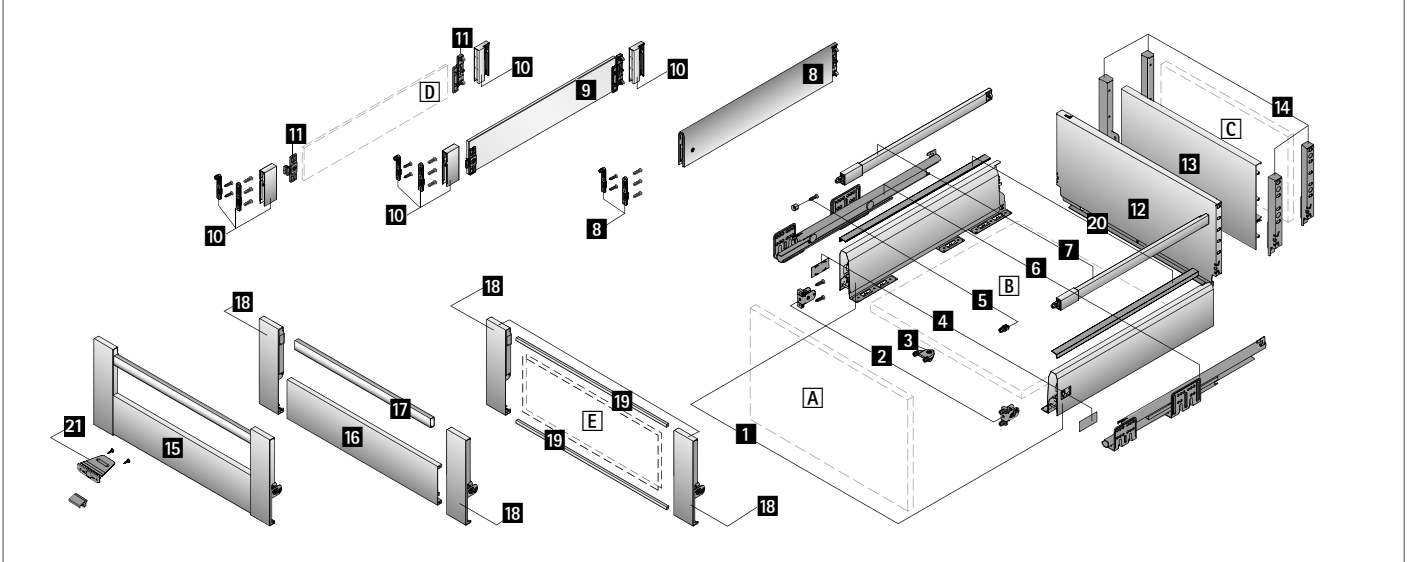
Order no.	PU
9 235 834	1 set

ArciTech double walled drawer system

- ▶ Pot-and-pan drawer / internal pot-and-pan drawer, height 218 mm, drawer side profile height 126 mm
- ▶ Powder coated steel, anthracite



Exploded diagram



Components

- 1** Drawer side profile, left and right
- 2** Drawer front connector for drawer side profile, 2 each
- 3** Front stabiliser
- 4** Cover cap, 2 each
- 5** Drawer front connector for lengthwise railing, 2 each
- 6** Actro drawer runner, left and right, see page 206 - 209
- 7** Lengthwise railing, left and right
- Alternatively 1:**
 - 8** TopSide
- Alternatively 2:**
 - 9** DesignSide in glass and
 - 10** DesignSide adapter
- Alternatively 3:**
 - D** DesignSide in any chosen material and
 - 10** DesignSide adapter and
 - 11** DesignSide connector
- 12** Steel rear panel
- Alternatively:**
 - 13** Aluminium rear panel or **C** Wooden rear panel and
 - 14** Rear panel connector, left and right

- 15** Front panel for internal pot-and-pan drawer

Alternatively 1:

- 16** Aluminium front panel and
- 17** Railing for aluminium front panel and
- 18** Connector for front panel

Alternatively 2:

- E** Front panel in any chosen material and
- 18** Connector for front panel and
- 19** Profile for front

Optional accessories:

- 20** Designer-type profile
- 21** Catch for internal front panel
- A** Front panel
- B** Bottom panel (material thickness 16 mm)
- C** Wooden rear panel (material thickness 16 mm)
- D** DesignSide in any chosen material (material thickness 8 mm)
- E** Front panel in any chosen material (material thickness 6 mm)

Advice

- ▶ For technical information, see pages 239 - 242, 248 - 261
- ▶ Actro drawer runner, see page 206 - 209

- ▶ Pot-and-pan drawer / internal pot-and-pan drawer, **height 218 mm**, drawer side profile **height 126 mm**
- ▶ Powder coated steel, **anthracite**

All inclusive sets

Pot-and-pan drawer set

Set comprises:

- ▶ **1** 1 drawer side profile, left and right
- ▶ **2** 2 knock in drawer front connectors
- ▶ **4** 2 cover caps, anthracite plastic with Hettich logo
- ▶ **7** 1 lengthwise railing, left and right, and **5** 2 knock in drawer front connectors **or**
- ▶ **8** 1 TopSide set, including drawer front connectors **or**
- ▶ **9** 1 DesignSide set in glass and . DesignSide adapter, including drawer front connectors
- ▶ **14** 1 rear panel connector, left and right
- ▶ Fixing material

Note: Please order your Actro runner separately, see page 206 - 209

Nominal length mm	Order no. / Article			PU
	Lengthwise railing	TopSide	DesignSide	
270	9 150 824		9 150 842	1 set
300	9 150 825		9 150 843	1 set
350	9 150 826		9 150 844	1 set
400	9 150 827	9 150 850	9 150 845	1 set
450	9 150 828	9 150 851	9 150 846	1 set
500	9 150 829	9 150 852	9 150 847	1 set
550	9 150 830	9 150 853	9 150 848	1 set
650	9 150 841	9 150 854	9 150 849	1 set

Flexible sets

Drawer side profile set

Set comprises:

- ▶ **1** 1 drawer side profile, left and right
- ▶ **2** 2 knock in drawer front connectors
- ▶ **4** 2 cover caps, anthracite plastic with Hettich logo
- ▶ Fixing material



Rear panel connector set

- ▶ For wooden or **13** Aluminium rear panel

Set comprises:

- ▶ **14** 1 rear panel connector, left and right
- ▶ Fixing material



Nominal length mm	Order no.	PU
270	9 150 492	1 set
300	9 150 493	1 set
350	9 150 494	1 set
400	9 150 495	1 set
450	9 150 496	1 set
500	9 150 497	1 set
550	9 150 498	1 set
650	9 150 499	1 set

Nominal height mm	Order no.	PU
218	9 150 505	1 set

13 Aluminium rear panel

- ▶ For variable or standard cabinet body width
- ▶ For cutting to length
- ▶ Length 2000 mm
- ▶ Rear panel connector set must be ordered separately



Order no.	PU
9 192 183	1 ea.

Lengthwise railing set

Set comprises:

- ▶ **7** 1 lengthwise railing, left and right
- ▶ **5** 2 knock in drawer front connectors



Nominal length mm	Order no.	PU
270	9 150 512	1 set
300	9 150 513	1 set
350	9 150 514	1 set
400	9 150 515	1 set
450	9 150 516	1 set
500	9 150 517	1 set
550	9 150 518	1 set
650	9 150 519	1 set

- ▶ Pot-and-pan drawer / internal pot-and-pan drawer, height 218 mm, drawer side profile height 126 mm
- ▶ Powder coated steel, anthracite

8 TopSide

Set comprises:

- ▶ 1 TopSide, left and right
- ▶ 2 front connectors for knocking in and for screwing on



Nominal length mm	Order no.	PU
400	9 122 913	1 set
450	9 122 917	1 set
500	9 122 921	1 set
550	9 122 925	1 set
650	9 122 933	1 set

9 DesignSide in glass

- ▶ Float glass, clear, with glued on connectors
- ▶ Material 8mm thick
- ▶ **10** DesignSide adapters must be ordered separately



Set comprises:

- ▶ 1 DesignSide with glued on connectors, left and right

Nominal length mm	Order no.	PU
270	9 122 983	1 set
300	9 122 984	1 set
350	9 122 985	1 set
400	9 122 986	1 set
450	9 122 987	1 set
500	9 122 988	1 set
550	9 122 989	1 set
650	9 122 990	1 set

10 DesignSide adapter

- ▶ For combination with **9** DesignSide in glass or, when using a DesignSide in any chosen material, **11** DesignSide connector



Set comprises:

- ▶ 1 DesignSide adapter, front, left and right
- ▶ 1 DesignSide adapter, rear, left and right
- ▶ 2 front connectors for knocking in and for screwing on

Order no.	PU
9 122 974	1 set

11 DesignSide connector

- ▶ For combination with DesignSide in any chosen material
- ▶ For gluing or screwing (Ø 3 x 10)
- ▶ **10** DesignSide adapters must be ordered separately



Set comprises:

- ▶ 1 DesignSide connector, front, left and right
- ▶ 1 DesignSide connector, rear, left and right

Order no.	PU
9 122 998	1/15 set

3 Front panel stabiliser

- ▶ For stabilising wide and/or high front panels
- ▶ Recommended for use in cabinets in widths of 600 mm and over and / or front panel heights of 450 mm and over
- ▶ Plastic, anthracite



Order no.	PU
9 123 080	1/150 ea.

- ▶ Pot-and-pan drawer / internal pot-and-pan drawer, **height 218 mm**, drawer side profile **height 126 mm**
- ▶ Powder coated steel, **anthracite**

Front panel for internal pot-and-pan drawer

16 Aluminium front panel

- ▶ For variable or standard cabinet body width
- ▶ For cutting to length
- ▶ Length 2000 mm
- ▶ **17** Railing and **18** Connectors for the front panel must be ordered separately



Order no.	PU
9 192 205	1 ea.

17 Railing for aluminium front panel

- ▶ Steel
- ▶ For variable or standard cabinet body width
- ▶ For cutting to length
- ▶ Length 2000 mm
- ▶ **16** Aluminium front panel and **18** Connectors for the front panel must be ordered separately



Order no.	PU
9 182 712	1 ea.

18 Connector for front panel

- ▶ For combination with **16** Aluminium front panel and **17** Railing for front panel or, when using a front panel in any chosen material, **19** Profile for front
- ▶ When using any chosen material with a total load of up to 60 kg



Set comprises:

- ▶ 1 connector for front panel, left and right

Order no.	PU
9 140 124	1/15 set

19 Profile for front

- ▶ For front panel in any chosen material
- ▶ For cutting to length, 2 profiles per front panel
- ▶ Length 2000 mm
- ▶ Aluminium, silver anodised
- ▶ **18** Connectors must be ordered separately



Order no.	PU
9 192 208	1 ea.

21 Catch for internal front panel

- ▶ For screwing on
- ▶ Plastic, anthracite



Set comprises:

- ▶ 1 catch
- ▶ 1 profile height increaser
- ▶ Fixing material

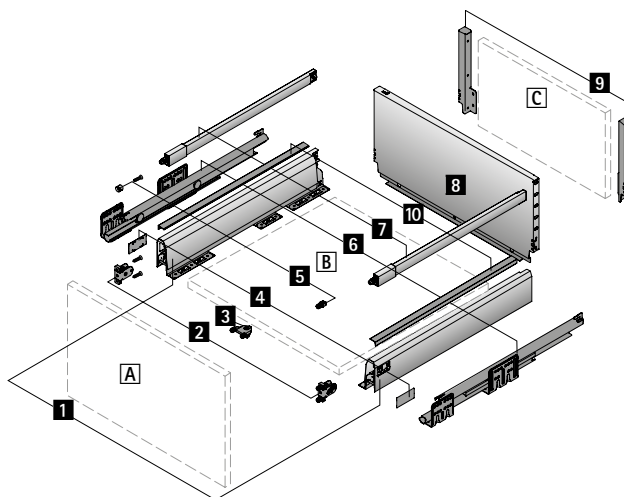
Order no.	PU
9 235 834	1 set

ArciTech double walled drawer system

- ▶ Pot-and-pan drawer, height 250 mm, drawer side profile height 94 mm
- ▶ Powder coated steel, anthracite



Exploded diagram



Components

- 1 Drawer side profile, left and right
- 2 Drawer front connector for drawer side profile, 2 each
- 3 Front stabiliser
- 4 Cover cap, 2 each
- 5 Drawer front connector for lengthwise railing, 2 each
- 6 Actro drawer runner, left and right, see page 206 - 209
- 7 Lengthwise railing, left and right
- 8 Steel rear panel

Alternatively:

- C Wooden rear panel and
- 9 Rear panel connector, left and right

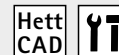
Optional accessories:

- 10 Designer-type profile
- A Front panel
- B Bottom panel (material thickness 16 mm)
- C Wooden rear panel (material thickness 16 mm)

Advice

- ▶ For technical information, see pages 243, 248 - 261
- ▶ Actro drawer runner, see page 206 - 209

ArciTech double walled drawer system



- ▶ Pot-and-pan drawer, **height 250 mm**, drawer side profile **height 94 mm**
- ▶ Powder coated steel, **anthracite**

All inclusive sets

Pot-and-pan drawer set with lengthwise railing

Set comprises:

- ▶ **1** 1 drawer side profile, left and right
- ▶ **2** 2 knock in drawer front connectors
- ▶ **4** 2 cover caps, anthracite plastic with Hettich logo
- ▶ **7** 1 lengthwise railing, left and right
- ▶ **5** 2 knock in drawer front connectors
- ▶ **9** 1 rear panel connector, left and right
- ▶ Fixing material

Note: Please order your Actro runner separately, see page 206 - 209

Nominal length mm	Order no.	PU
270	9 150 662	1 set
300	9 150 663	1 set
350	9 150 664	1 set
400	9 150 665	1 set
450	9 150 666	1 set
500	9 150 667	1 set
550	9 150 668	1 set
650	9 150 669	1 set

Flexible sets

Drawer side profile set

Set comprises:

- ▶ **1** 1 drawer side profile, left and right
- ▶ **2** 2 knock in drawer front connectors
- ▶ **4** 2 cover caps, anthracite plastic with Hettich logo
- ▶ Fixing material



Nominal length mm	Order no.	PU
270	9 150 484	1 set
300	9 150 485	1 set
350	9 150 486	1 set
400	9 150 487	1 set
450	9 150 488	1 set
500	9 150 489	1 set
550	9 150 490	1 set
650	9 150 491	1 set

Rear panel connector set

- ▶ For wooden rear panel

Set comprises:

- ▶ **9** 1 rear panel connector, left and right
- ▶ Fixing material



Nominal height mm	Order no.	PU
250	9 150 506	1 set

Lengthwise railing set

Set comprises:

- ▶ **7** 1 lengthwise railing, left and right
- ▶ **5** 2 knock in drawer front connectors



Nominal length mm	Order no.	PU
270	9 150 512	1 set
300	9 150 513	1 set
350	9 150 514	1 set
400	9 150 515	1 set
450	9 150 516	1 set
500	9 150 517	1 set
550	9 150 518	1 set
650	9 150 519	1 set

3 Front panel stabiliser

- ▶ For stabilising wide and/or high front panels
- ▶ Recommended for use in cabinets in widths of 600 mm and over and / or front panel heights of 450 mm and over
- ▶ Plastic, anthracite



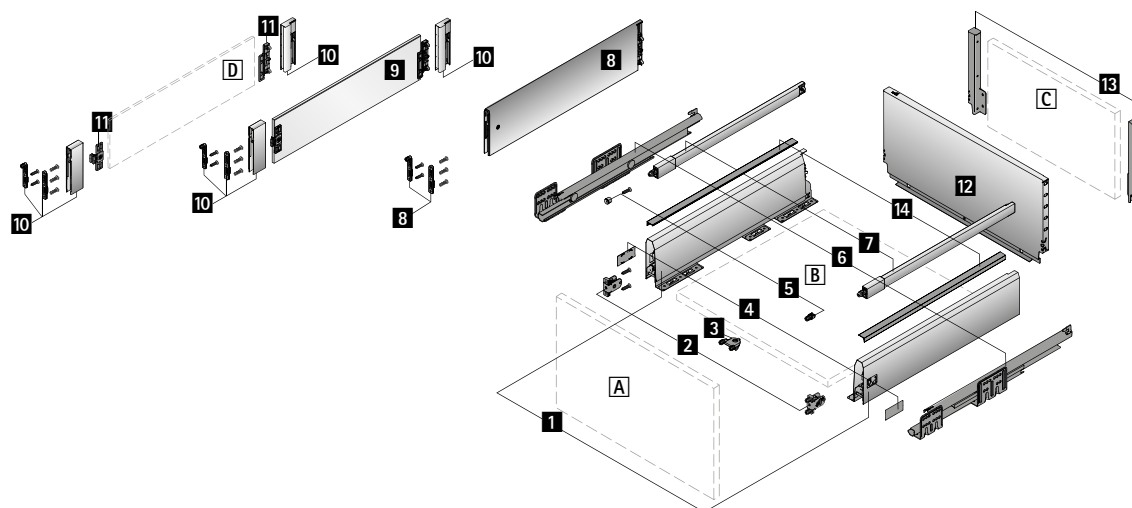
Order no.	PU
9 123 080	1/150 ea.

ArciTech double walled drawer system

- ▶ Pot-and-pan drawer, **height 250 mm**, drawer side profile **height 126 mm**
- ▶ Powder coated steel, **anthracite**



Exploded diagram



Components

- 1** Drawer side profile, left and right
- 2** Drawer front connector for drawer side profile, 2 each
- 3** Front stabiliser
- 4** Cover cap, 2 each
- 5** Drawer front connector for lengthwise railing, 2 each
- 6** Actro drawer runner, left and right, see page 206 - 209
- 7** Lengthwise railing, left and right

Alternatively 1:

- 8** TopSide

Alternatively 2:

- 9** DesignSide in glass and
- 10** DesignSide adapter

Alternatively 3:

- D** DesignSide in any chosen material and
- 10** DesignSide adapter and
- 11** DesignSide connector

12 Steel rear panel

Alternatively:

- C** Wooden rear panel and
- 13** Rear panel connector, left and right

Optional accessories:

- 14** Designer-type profile

- A** Front panel
- B** Bottom panel (material thickness 16 mm)
- C** Wooden rear panel (material thickness 16 mm)
- D** DesignSide in any chosen material (material thickness 8 mm)

Advice

- ▶ For technical information, see pages 244 - 245, 248 - 261
- ▶ Actro drawer runner, see page 206 - 209

ArciTech double walled drawer system



- ▶ Pot-and-pan drawer, **height 250 mm**, drawer side profile **height 126 mm**
- ▶ Powder coated steel, **anthracite**

All inclusive sets

Pot-and-pan drawer set

Set comprises:

- ▶ **1** 1 drawer side profile, left and right
- ▶ **2** 2 knock in drawer front connectors
- ▶ **4** 2 cover caps, anthracite plastic with Hettich logo
- ▶ **7** 1 lengthwise railing, left and right, and **5** 2 knock in drawer front connectors **or**
- ▶ **8** 1 TopSide set, including drawer front connectors **or**
- ▶ **9** 1 DesignSide set in glass and . DesignSide adapter, including drawer front connectors
- ▶ **13** 1 rear panel connector, left and right
- ▶ Fixing material

Note: Please order your Actro runner separately, see page 206 - 209

Nominal length mm	Order no. / Article			PU
	Lengthwise railing	TopSide	DesignSide	
270	9 150 855		9 150 863	1 set
300	9 150 856		9 150 864	1 set
350	9 150 857		9 150 865	1 set
400	9 150 858	9 150 871	9 150 866	1 set
450	9 150 859	9 150 872	9 150 867	1 set
500	9 150 860	9 150 873	9 150 868	1 set
550	9 150 861	9 150 874	9 150 869	1 set
650	9 150 862	9 150 875	9 150 870	1 set

Flexible sets

Drawer side profile set

Set comprises:

- ▶ **1** 1 drawer side profile, left and right
- ▶ **2** 2 knock in drawer front connectors
- ▶ **4** 2 cover caps, anthracite plastic with Hettich logo
- ▶ Fixing material



Rear panel connector set

- ▶ For wooden rear panel

Set comprises:

- ▶ **13** 1 rear panel connector, left and right
- ▶ Fixing material



Nominal length mm	Order no.	PU
270	9 150 492	1 set
300	9 150 493	1 set
350	9 150 494	1 set
400	9 150 495	1 set
450	9 150 496	1 set
500	9 150 497	1 set
550	9 150 498	1 set
650	9 150 499	1 set

Nominal height mm	Order no.	PU
250	9 150 506	1 set

Lengthwise railing set

Set comprises:

- ▶ **7** 1 lengthwise railing, left and right
- ▶ **5** 2 knock in drawer front connectors



8 TopSide

Set comprises:

- ▶ 1 TopSide, left and right
- ▶ 2 front connectors for knocking in and for screwing on



Nominal length mm	Order no.	PU
270	9 150 512	1 set
300	9 150 513	1 set
350	9 150 514	1 set
400	9 150 515	1 set
450	9 150 516	1 set
500	9 150 517	1 set
550	9 150 518	1 set
650	9 150 519	1 set

Nominal length mm	Order no.	PU
400	9 122 950	1 set
450	9 122 954	1 set
500	9 122 958	1 set
550	9 122 962	1 set
650	9 122 970	1 set

- ▶ Pot-and-pan drawer, height 250 mm, drawer side profile height 126 mm
- ▶ Powder coated steel, anthracite

9 DesignSide in glass

- ▶ Float glass, clear, with glued on connectors
- ▶ Material 8mm thick
- ▶ **10** DesignSide adapters must be ordered separately



Set comprises:

- ▶ 1 DesignSide with glued on connectors, left and right

Nominal length mm	Order no.	PU
270	9 122 991	1 set
300	9 122 992	1 set
350	9 122 993	1 set
400	9 122 994	1 set
450	9 122 995	1 set
500	9 122 996	1 set
550	9 122 997	1 set
650	9 123 078	1 set

10 DesignSide adapter

- ▶ For combination with **9** DesignSide in glass or, when using a DesignSide in any chosen material, **11** DesignSide connector



Set comprises:

- ▶ 1 DesignSide adapter, front, left and right
- ▶ 1 DesignSide adapter, rear, left and right
- ▶ 2 front connectors for knocking in and for screwing on

Order no.	PU
9 122 979	1 set

11 DesignSide connector

- ▶ For combination with DesignSide in any chosen material
- ▶ For gluing or screwing (Ø 3 x 10)
- ▶ **10** DesignSide adapters must be ordered separately



Set comprises:

- ▶ 1 DesignSide connector, front, left and right
- ▶ 1 DesignSide connector, rear, left and right

Order no.	PU
9 122 998	1/15 set

3 Front panel stabiliser

- ▶ For stabilising wide and/or high front panels
- ▶ Recommended for use in cabinets in widths of 600 mm and over and / or front panel heights of 450 mm and over
- ▶ Plastic, anthracite



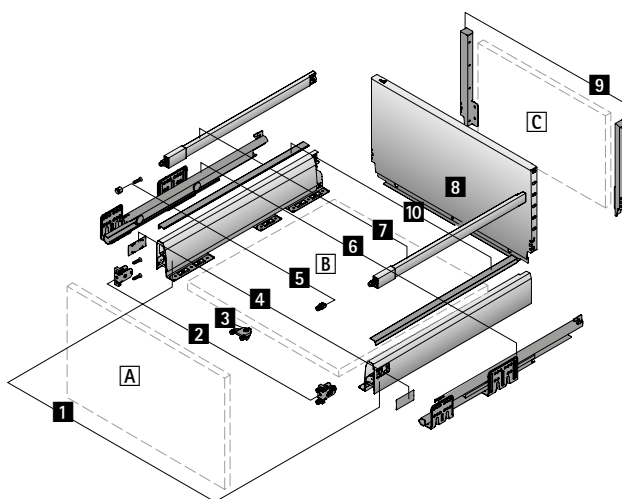
Order no.	PU
9 123 080	1/150 ea.

ArciTech double walled drawer system

- ▶ Pot-and-pan drawer, **height 282 mm**, drawer side profile **height 94 mm**
- ▶ Powder coated steel, **anthracite**



Exploded diagram



Components

- 1** Drawer side profile, left and right
- 2** Drawer front connector for drawer side profile, 2 each
- 3** Front stabiliser
- 4** Cover cap, 2 each
- 5** Drawer front connector for lengthwise railing, 2 each
- 6** Actro drawer runner, left and right, see page 206 - 209
- 7** Lengthwise railing, left and right
- 8** Steel rear panel

Alternatively:

- Wooden rear panel and
- 9** Rear panel connector, left and right

Optional accessories:

- 10** Designer-type profile
- Front panel
- Bottom panel (material thickness 16 mm)
- Wooden rear panel (material thickness 16 mm)

Advice

- ▶ For technical information, see pages 246, 248 - 261
- ▶ Actro drawer runner, see page 206 - 209

ArciTech double walled drawer system



- ▶ Pot-and-pan drawer, **height 282 mm**, drawer side profile **height 94 mm**
- ▶ Powder coated steel, **anthracite**

All inclusive sets

Pot-and-pan drawer set with lengthwise railing

Set comprises:

- ▶ **1** 1 drawer side profile, left and right
- ▶ **2** 2 knock in drawer front connectors
- ▶ **4** 2 cover caps, anthracite plastic with Hettich logo
- ▶ **7** 1 lengthwise railing, left and right
- ▶ **5** 2 knock in drawer front connectors
- ▶ **9** 1 rear panel connector, left and right
- ▶ Fixing material

Note: Please order your Actro runner separately, see page 206 - 209

Nominal length mm	Order no.	PU
270	9 150 670	1 set
300	9 150 671	1 set
350	9 150 672	1 set
400	9 150 673	1 set
450	9 150 674	1 set
500	9 150 675	1 set
550	9 150 676	1 set
650	9 150 677	1 set

Flexible sets

Drawer side profile set

Set comprises:

- ▶ **1** 1 drawer side profile, left and right
- ▶ **2** 2 knock in drawer front connectors for drawer side profile
- ▶ **4** 2 cover caps, anthracite plastic with Hettich logo
- ▶ Fixing material



Nominal length mm	Order no.	PU
270	9 150 484	1 set
300	9 150 485	1 set
350	9 150 486	1 set
400	9 150 487	1 set
450	9 150 488	1 set
500	9 150 489	1 set
550	9 150 490	1 set
650	9 150 491	1 set

Rear panel connector set

- ▶ For wooden rear panel

Set comprises:

- ▶ **9** 1 rear panel connector, left and right
- ▶ Fixing material



Nominal height mm	Order no.	PU
282	9 150 507	1 set

Lengthwise railing set

Set comprises:

- ▶ **7** 1 lengthwise railing, left and right
- ▶ **5** 2 knock in drawer front connectors



Nominal length mm	Order no.	PU
270	9 150 512	1 set
300	9 150 513	1 set
350	9 150 514	1 set
400	9 150 515	1 set
450	9 150 516	1 set
500	9 150 517	1 set
550	9 150 518	1 set
650	9 150 519	1 set

3 Front panel stabiliser

- ▶ For stabilising wide and/or high front panels
- ▶ Recommended for use in cabinets in widths of 600 mm and over and / or front panel heights of 450 mm and over
- ▶ Plastic, anthracite



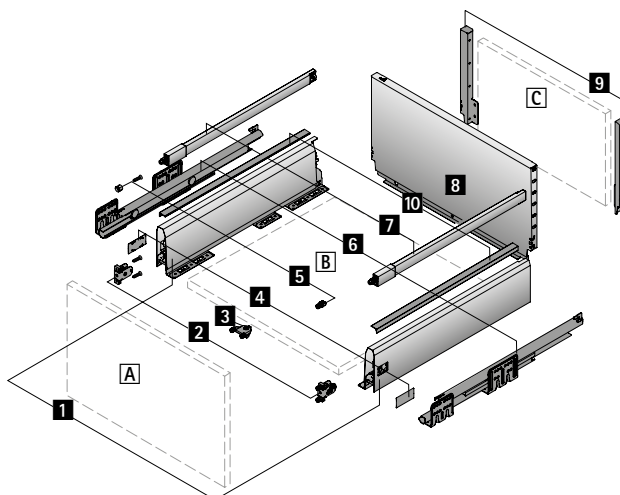
Order no.	PU
9 123 080	1/150 ea.

ArciTech double walled drawer system

- ▶ Pot-and-pan drawer, **height 282 mm**, drawer side profile **height 126 mm**
- ▶ Powder coated steel, **anthracite**



Exploded diagram



Components

- 1** Drawer side profile, left and right
- 2** Drawer front connector for drawer side profile, 2 each
- 3** Front stabiliser
- 4** Cover cap, 2 each
- 5** Drawer front connector for lengthwise railing, 2 each
- 6** Actro drawer runner, left and right, see page 206 - 209
- 7** Lengthwise railing, left and right
- 8** Steel rear panel

Alternatively:

- C** Wooden rear panel and
- 9** Rear panel connector, left and right

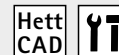
Optional accessories:

- 10** Designer-type profile
- A** Front panel
- B** Bottom panel (material thickness 16 mm)
- C** Wooden rear panel (material thickness 16 mm)

Advice

- ▶ For technical information, see pages 247, 248 - 261
- ▶ Actro drawer runner, see page 206 - 209

ArciTech double walled drawer system



- ▶ Pot-and-pan drawer, **height 282 mm**, drawer side profile **height 126 mm**
- ▶ Powder coated steel, **anthracite**

All inclusive sets

Pot-and-pan drawer set with lengthwise railing

Set comprises:

- ▶ **1** 1 drawer side profile, left and right
- ▶ **2** 2 knock in drawer front connectors
- ▶ **4** 2 cover caps, anthracite plastic with Hettich logo
- ▶ **7** 1 lengthwise railing, left and right
- ▶ **5** 2 knock in drawer front connectors
- ▶ **9** 1 rear panel connector, left and right
- ▶ Fixing material

Note: Please order your Actro runner separately, see page 206 - 209

Nominal length mm	Order no.	PU
270	9 150 876	1 set
300	9 150 877	1 set
350	9 150 878	1 set
400	9 150 879	1 set
450	9 150 880	1 set
500	9 150 881	1 set
550	9 150 882	1 set
650	9 150 883	1 set

Flexible sets

Drawer side profile set

Set comprises:

- ▶ **1** 1 drawer side profile, left and right
- ▶ **2** 2 knock in drawer front connectors
- ▶ **4** 2 cover caps, anthracite plastic with Hettich logo
- ▶ Fixing material



Rear panel connector set

- ▶ For wooden rear panel

Set comprises:

- ▶ **9** 1 rear panel connector, left and right
- ▶ Fixing material



Nominal length mm	Order no.	PU
270	9 150 492	1 set
300	9 150 493	1 set
350	9 150 494	1 set
400	9 150 495	1 set
450	9 150 496	1 set
500	9 150 497	1 set
550	9 150 498	1 set
650	9 150 499	1 set

Nominal height mm	Order no.	PU
282	9 150 507	1 set

Lengthwise railing set

Set comprises:

- ▶ **7** 1 lengthwise railing, left and right
- ▶ **5** 2 knock in drawer front connectors



Nominal length mm	Order no.	PU
270	9 150 512	1 set
300	9 150 513	1 set
350	9 150 514	1 set
400	9 150 515	1 set
450	9 150 516	1 set
500	9 150 517	1 set
550	9 150 518	1 set
650	9 150 519	1 set

3 Front panel stabiliser

- ▶ For stabilising wide and/or high front panels
- ▶ Recommended for use in cabinets in widths of 600 mm and over and / or front panel heights of 450 mm and over
- ▶ Plastic, anthracite



Order no.	PU
9 123 080	1/150 ea.

ArciTech double walled drawer system

- ▶ Range summary, interior organisation
- ▶ Powder coated steel, anthracite



OrgaTray 470
for drawers / internal drawers
172



OrgaTray 570
for drawers / internal drawers
173



OrgaTray 600
for drawers / internal drawers
174



OrgaTray 230
for drawers / internal drawers
175 - 177



OrgaStripe
for drawers / pot-and-pan drawers
178



OrgaStore 400 for pot-and-pan drawers /
internal pot-and-pan drawers
179



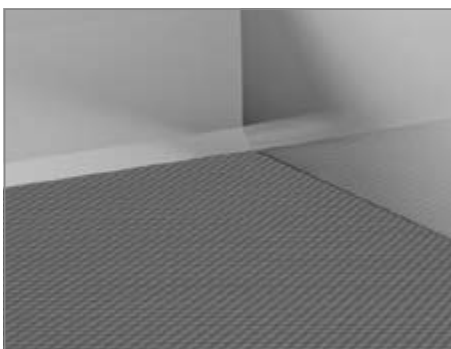
OrgaFlag for pot-and-pan drawers /
internal pot-and-pan drawers
180



OrgaStore 810 for pot-and-pan drawers /
internal pot-and-pan drawers
181 - 182



OrgaStore 230 for pot-and-pan drawers /
internal pot-and-pan drawers
183 - 184



Accessories
185

ArciTech double walled drawer system

- ▶ Interior organisation system for drawers and internal drawers
- ▶ Powder coated steel, anthracite



- ▶ Suitable for variable width use with cabinet body widths of 450 mm and over
- ▶ 2 can be fitted in cabinets in widths of 800 mm and over
- ▶ Plastic

OrgaTray 470

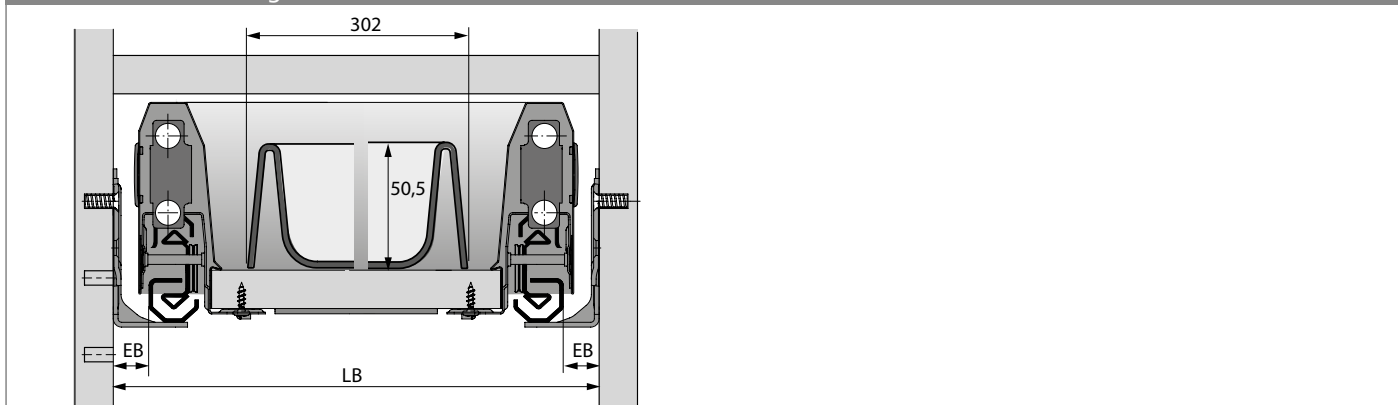
Nominal length mm	Order no.	PU
500	9 207 227	1 ea.

Divider

NL	D	
500	474	
W	302	
CW	450-1200	

NL = Nominal length D = Depth W = Width CW = Cabinet body width

Dimensional drawing



ArciTech double walled drawer system

- ▶ Interior organisation system for drawers and internal drawers
- ▶ Powder coated steel, anthracite



- ▶ Adapted to standard cabinet body width
- ▶ For 94 mm drawer side profile height
- ▶ Plastic, anthracite

Set comprises:

- ▶ 1 plastic cutlery tray
- ▶ Dividing elements for organising drawers in any way (quantity differs depending on width, see illustration of drawer organisation)

OrgaTray 570

Cabinet body width mm	Order no. / Nominal length mm		PU
	450	500	
300	9 183 317*	9 183 326	1 set
350		9 183 327	1 set
400	9 183 318*	9 183 328	1 set
450	9 183 319*	9 183 329	1 set
500	9 183 320*	9 183 330	1 set
600	9 183 323*	9 183 332	1 set
800	9 183 324*	9 183 333	1 set
900		9 183 334	1 set
1000	9 183 325*	9 183 335	1 set

* Not stocked in Australia - available on request

Divider

NL	D	Diagram showing various divider configurations for different widths and depths.								
400	373	[Diagram configurations for NL=400, D=373]								
450	423	[Diagram configurations for NL=450, D=423]								
500	473	[Diagram configurations for NL=500, D=473]								
W	199	249	299	349	399	499	699	799	899	
CW	300	350	400	450	500	600	800	900	1000	

NL = Nominal length D = Depth W = Width CW = Cabinet body width

Dividing elements



- ▶ For OrgaTray 570
- ▶ Plastic, anthracite

Nominal length mm	Order no.	PU
68	9 204 203	1/50 ea.
128	9 204 200	1/50 ea.

ArciTech double walled drawer system



- ▶ Interior organisation system for drawers and internal drawers
- ▶ Powder coated steel, anthracite



- ▶ Variable in width, premounted
For cabinets in widths of 500 mm and over, for drawer side profiles in heights of 94 mm and 126 mm, 2 can be fitted in cabinets in widths of 800 mm and over

Advice:

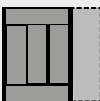
- ▶ Anti-slip mat must be ordered separately, see page 185
- ▶ Can be combined with knife, spice and foil holder from the OrgaTray 230 range, see page 175 - 176

OrgaTray 600

Cabinet body width mm	Order no. / Nominal length mm		PU
	450	500	
500 - 1200	-	9 183 159	1 set

Divider

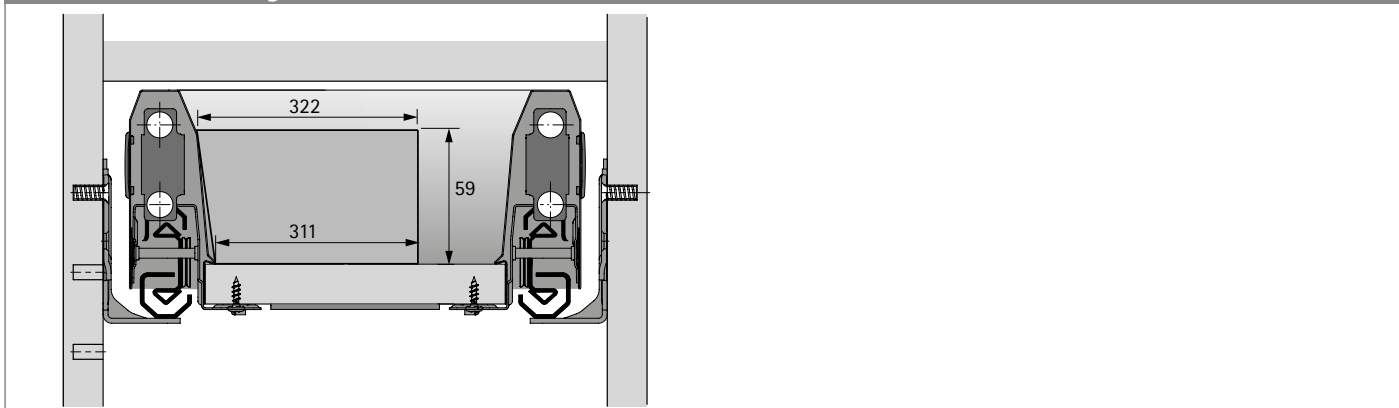
NL	D
500	473



W	CW
322	500-1200

NL = Nominal length D = Depth W = Width CW = Cabinet body width

Dimensional drawing



ArciTech double walled drawer system

- ▶ Interior organisation system for drawers and internal drawers
- ▶ Powder coated steel, anthracite



- ▶ Variable in width
- ▶ Carcase widths up to 1200 mm can be produced by combining several articles

OrgaTray 230, cutlery tray



- ▶ Can be used individually in cabinets in widths from 450 mm - 600 mm
- ▶ Walnut

Set comprises:

- ▶ 1 cutlery tray 275 mm
- ▶ 2 bases 137 mm

Nominal length mm	Order no.	PU
450	9 199 583	1 set
500	9 199 598	1 set
550	9 199 603	1 set

OrgaTray 230, cooking utensil tray



- ▶ Can be used individually in cabinets in widths from 350 mm - 400 mm
- ▶ Walnut

Set comprises:

- ▶ 1 cooking utensil tray 200 mm
- ▶ 1 base 90 mm
- ▶ 1 base 110 mm

Nominal length mm	Order no.	PU
450	9 199 584	1 set
500	9 199 599	1 set
550	9 199 604	1 set

OrgaTray 230, roll holder



- ▶ Only in combination with cutlery or cooking utensil tray
- ▶ Walnut

Set comprises:

- ▶ 1 roll holder 100 mm
- ▶ 1 base 100 mm

Nominal length mm	Order no.	PU
450	9 199 585	1 set
500	9 199 600	1 set
550	9 199 605	1 set

ArciTech double walled drawer system

- ▶ Interior organisation system for drawers and internal drawers
- ▶ Powder coated steel, anthracite

OrgaTray 230, spice rack



- ▶ Only in combination with cutlery or cooking utensil tray
- ▶ Walnut

Set comprises:

- ▶ 1 spice step 150 mm
- ▶ 1 base 150 mm

Nominal length mm	Order no.	PU
450	9 199 586	1 set
500	9 199 601	1 set
550	9 199 606	1 set

OrgaTray 230, knife holder



- ▶ Only in combination with cutlery or cooking utensil tray
- ▶ Walnut

Set comprises:


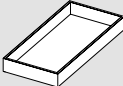


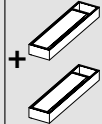
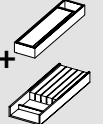

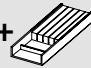
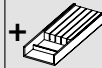
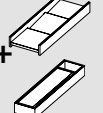

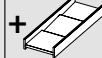
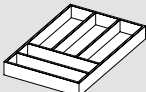


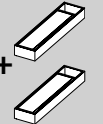
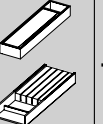
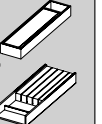
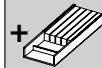

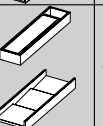
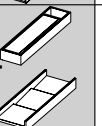
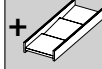
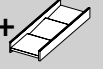
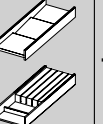
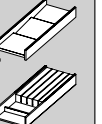
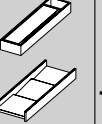
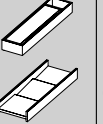
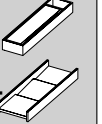
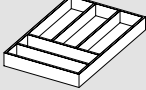
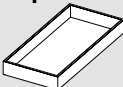
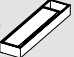

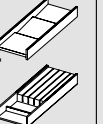
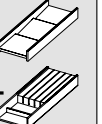




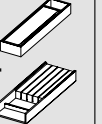
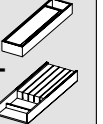
- ▶ 1 knife holder 150 mm
- ▶ 1 base 150 mm

Nominal length mm	Order no.	PU
450	9 199 597	1 set
500	9 199 602	1 set
550	9 199 617	1 set

ArciTech double walled drawer system

- ▶ Interior organisation system for drawers and internal drawers
- ▶ Powder coated steel, anthracite

Possible combinations

	350	400	450	500	550	600	800	900	1000	1200
 + →										
										
										
 + →										
										
										
										
 +  + →										
										
										
										

ArciTech double walled drawer system

- ▶ Interior organisation system for drawers and pot-and-pan drawers
- ▶ Powder coated steel, anthracite



- ▶ Flexible organiser system
- ▶ The self adhesive strips can be used in virtually any drawer
- ▶ The cross partitions and dividers in a thickness of 4 mm provide plenty of scope for individually tailored organisation

OrgaStripe profile



- ▶ For sticking onto coated engineered wood, steel and aluminium
- ▶ Length 1100 mm
- ▶ Plastic black

Order no.	PU
9 203 254	30 ea.

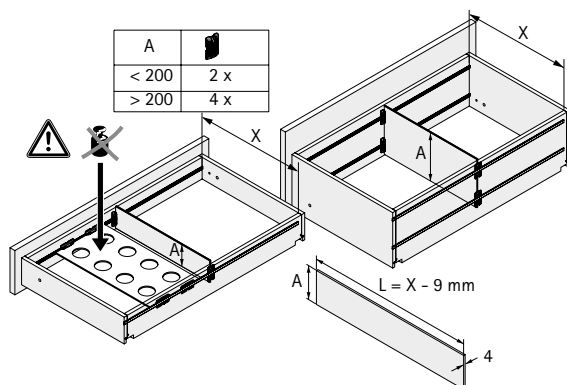
OrgaClip



- ▶ For installing into the OrgaStripe profile
- ▶ For 4 mm thick cross partition
- ▶ Material of cross partition can be freely selected
- ▶ Infinitely adjustable in the profile
- ▶ Plastic black

Order no.	PU
9 203 467	60 ea.

Dimensional drawing



ArciTech double walled drawer system

- ▶ Interior organisation system for pot-and-pan drawers and internal pot-and-pan drawers
- ▶ Powder coated steel, anthracite



- ▶ For pot-and-pan drawer or internal pot-and-pan drawer with railing
- ▶ Crosswise railings and lengthwise dividers must be ordered separately
- ▶ It is recommended to fit an anti-slip mat

OrgaStore 400 customised width



- ▶ Suitable for customised cabinet body widths
- ▶ Crosswise railing, adapter and lengthwise divider must be ordered separately
- ▶ The crosswise railing is 2000 mm long and can be cut to any length
- ▶ Adapter, plastic, anthracite

Article	Length	Order no.	PU
Crosswise railing	2000	9 182 712	1 ea.
Adapter		9 182 222	1/30 ea.

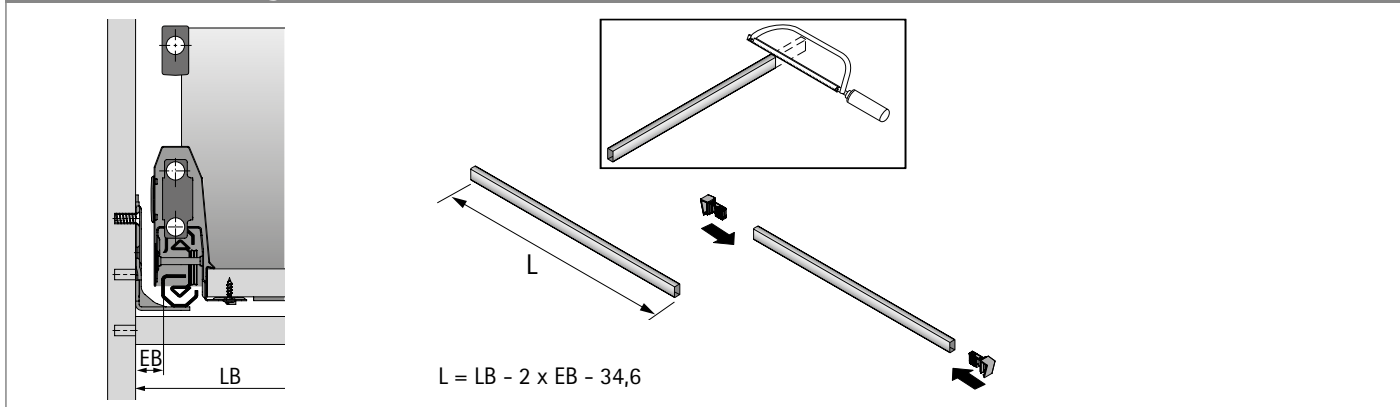
OrgaStore 400, lengthwise divider



- ▶ Plastic, anthracite

Order no.	PU
9 182 225	1/15 ea.

Dimensional drawing



ArciTech double walled drawer system

- ▶ Interior organisation system for pot-and-pan drawers and internal pot-and-pan drawers
- ▶ Powder coated steel, anthracite



- ▶ For inserting into the pot-and-pan drawer
- ▶ All cabinet body widths possible by combining basic and upgrade set

OrgaFlag basic set



- ▶ Adapted to standard cabinet body width
- ▶ Plastic, grey / anthracite

Set comprises:

- ▶ Perforated bases with non-slip coating
- ▶ Dividing elements

Cabinet body width mm	Order no. / Nominal length mm		PU
	450	500	
600	9 189 409	9 199 902	1 set
900	9 199 901	9 199 903	1 set

OrgaFlag upgrade set



- ▶ Adding width to basic set
- ▶ Plastic, grey / anthracite

Set comprises:

- ▶ 2 perforated bases with non slip coating
- ▶ 1 dividing element

Cabinet body width mm	Order no. / Nominal length mm		PU
	450	500	
100	9 189 410	9 199 904	1 set

Possible combinations

Cabinet body width mm	Possible combinations			PU
	600 mm	900 mm	100 mm	
300	1			
400	1			
450	1			
500	1			
600	1			
800	1		2	
900		1		
1000		1	1	
1200		1	3	

ArciTech double walled drawer system

- ▶ Interior organisation system for pot-and-pan drawers and internal pot-and-pan drawers
- ▶ Powder coated steel, anthracite



- ▶ Customised widths can be produced by cutting the profile to size
- ▶ Can be used for drawer side profile heights of 94 mm and 126 mm
- ▶ Plastic elements, anthracite

Set comprises:

- ▶ 1 aluminium profile with plastic adapters
- ▶ Plastic dividing elements

OrgaStore 810 divider



- ▶ Height 125 mm
- ▶ Plastic anthracite

Order no.	PU
9 182 231	1/15 ea.

OrgaStore 810 adapter



- ▶ Height 125 mm
- ▶ Plugs onto aluminium profile without the need for tools
- ▶ 2 adapters are required for a set
- ▶ Plastic anthracite

Order no.	PU
9 182 234	1/30 ea.

OrgaStore 810 aluminium profile



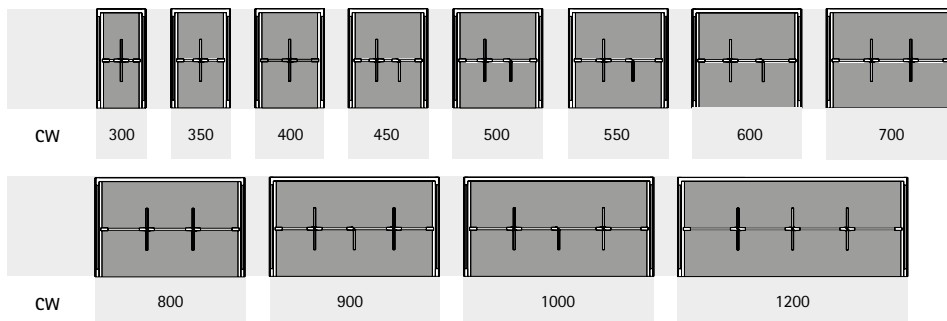
- ▶ Height 120 mm
- ▶ Length 2000 mm
- ▶ For cutting to length
- ▶ Adapters must be ordered separately
- ▶ Anthracite

Order no.	PU
9 182 250	1 ea.

ArciTech double walled drawer system

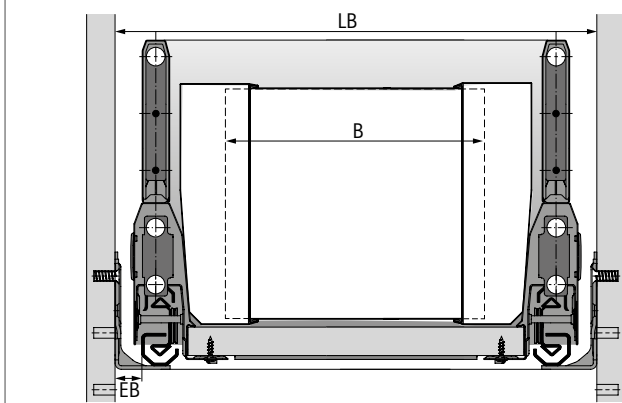
- ▶ Interior organisation system for pot-and-pan drawers and internal pot-and-pan drawers
- ▶ Powder coated steel, anthracite

Divider



CW = Cabinet body width

Dimensional drawing



▶ $B = LB - 2 \times EB - 78$

ArciTech double walled drawer system

- ▶ Interior organisation system for pot-and-pan drawers and internal pot-and-pan drawers
- ▶ Powder coated steel, anthracite



- ▶ Can be used in any way by combining different dividing elements with the perforated base

OrgaStore 230



- ▶ Adapted to standard cabinet body width
- ▶ Can be cut to any chosen length
- ▶ Walnut in matt lacquered finish
- ▶ Dividing elements must be ordered separately

Cabinet body width mm	Order no. / Nominal length mm		PU
	500	650	
600	9 199 670		1 ea.
800	9 199 671		1 ea.
900	9 199 672		1 ea.
1000	9 199 673		1 ea.
1200		9 199 680	1 ea.

OrgaStore 230 dividing rod



- ▶ Walnut

Order no.	PU
9 199 683	4 ea.

OrgaStore 230, angular divider



- ▶ Angular divider with premounted fixing pins
- ▶ 93 x 93 x 127 mm
- ▶ Walnut

Order no.	PU
9 199 682	2 ea.

ArciTech double walled drawer system



- ▶ Interior organisation system for pot-and-pan drawers and internal pot-and-pan drawers
- ▶ Powder coated steel, anthracite

OrgaStore 230, cross shaped divider



- ▶ Cross shaped divider with premounted fixing pins
- ▶ 179 x 179 x 127 mm
- ▶ Walnut

Order no.	PU
9 199 684	1 ea.

OrgaStore 230, cross partition



- ▶ Cross partition with premounted fixing pins
- ▶ 107 x 127 mm
- ▶ Walnut

Order no.	PU
9 199 674	1 ea.

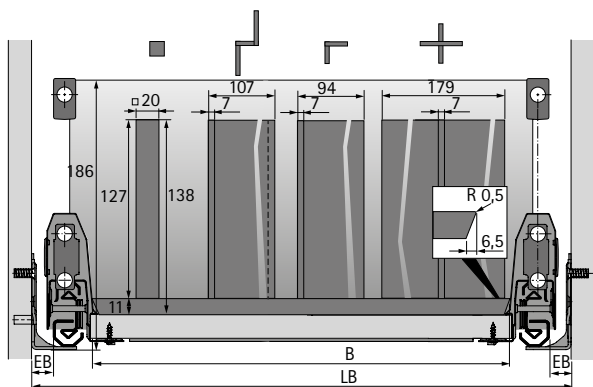
OrgaStore 230, container



- ▶ Container, small
- ▶ 236 x 261 x 127 mm
- ▶ Walnut

Width x depth x height mm	Order no.	PU
236 x 261 x 127	9 199 685	1 ea.
236 x 472 x 127	9 199 686	1 ea.

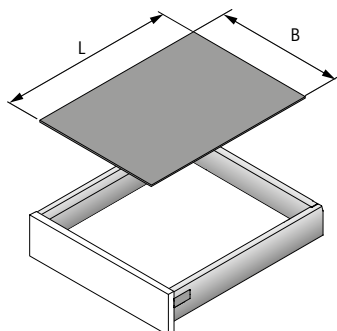
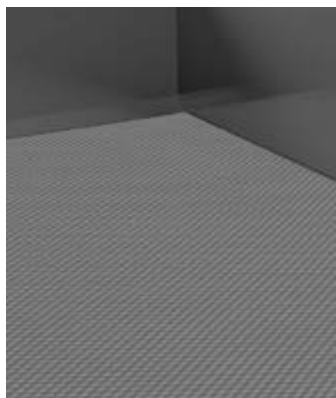
Dimensional drawing



- ▶ Trimmed width (B) = LB - 2 x EB - 54
- ▶ Trimmed depth = Nominal length (NL) - 27

- ▶ Interior organisation
- ▶ Powder coated steel, **anthracite**

Anti-slip mat



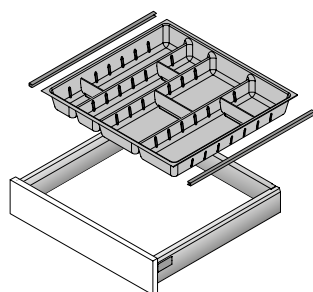
- ▶ For inserting into the drawer or pot-and-pan drawer
- ▶ 5 m roll
- ▶ Plastic, anthracite

Advice:

- ▶ Trimmed width (B) = inside cabinet body width - 2 x EB - 62
- ▶ Cut length (L) = nominal length - 27

Nominal length mm	Order no.	PU
650	9 209 582	1 ea.

Edge profile



- ▶ For fitting to side, width of interior organisation must be reduced by 4 mm
- ▶ Can be shortened as required
- ▶ Plastic, chrome look

Order no.	PU
9 135 408	1 set

ArciTech double walled drawer system

- ▶ Range summary - solutions with bottom cutout
- ▶ Powder coated steel, anthracite



OrgaTray 510
for drawers / pot-and-pan drawers
187



Banio
for drawers / pot-and-pan drawers
188



Metal surround for U bend cutout
for drawers / pot-and-pan drawers
189

ArciTech double walled drawer system

- ▶ Solutions with bottom cutout
- ▶ Powder coated steel, anthracite

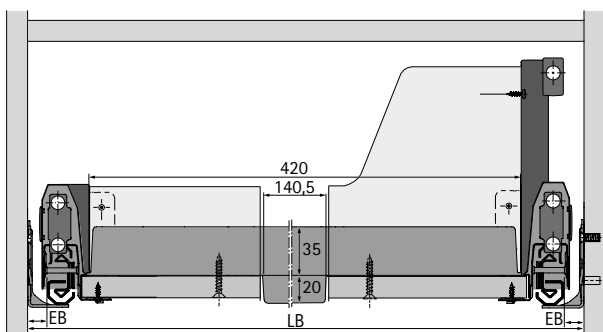


- ▶ Variable in width
- ▶ From 550 mm cabinet body width and 350 mm nominal length
- ▶ Plastic, dark grey

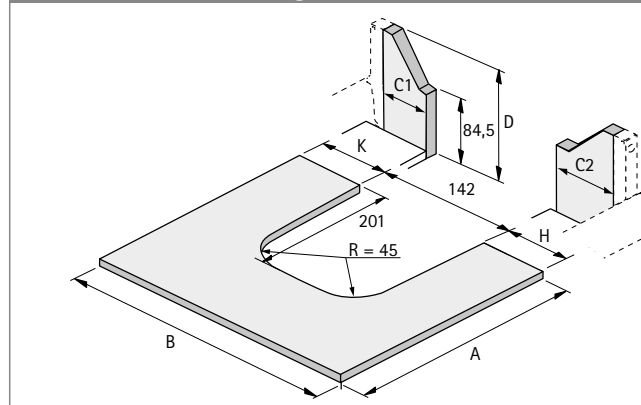
OrgaTray 510

Order no.	PU
9 207 047	1 ea.

Dimensional drawing



Dimensions for cutting to size



- ▶ Dimension A = NL - 24.5
- ▶ Dimension B = LB - 2 x EB - 52.5
- ▶ Dimension C1 = K - 6
- ▶ Dimension C2 = H - 6
- ▶ Dimension D = system height 94 and 126 - 9.5
- ▶ Dimension D = system height 186 to 282 - 10

ArciTech double walled drawer system

- ▶ Solutions with bottom cutout
- ▶ Powder coated steel, anthracite



- ▶ For drawer or pot-and-pan drawer
- ▶ Can be used for nominal lengths up to 500 mm
- ▶ Recommended for use with cabinet body widths of 600 mm and over
- ▶ Frame height 87 mm in total
- ▶ Frame set and container set must be ordered separately

Banio frame set



- ▶ Plastic, dark grey

Order no.	PU
9 207 259	1 set

Banio container set

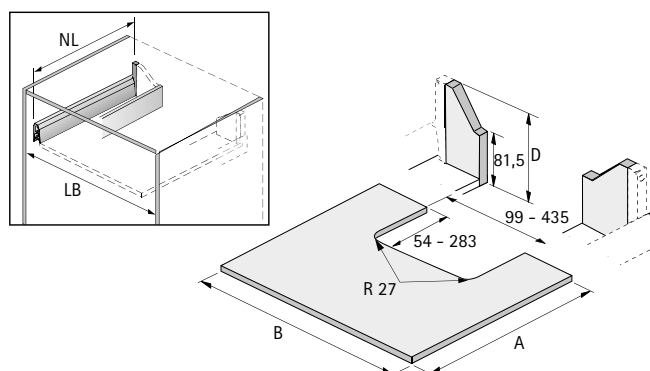


- ▶ The set comprises 3 containers
- ▶ 84 mm x 84 mm / 84 mm x 168 mm / 84 mm x 252 mm
- ▶ Plastic, translucent graphite

- Set comprises:
- ▶ 3 trays, translucent plastic, graphite grey

Order no.	PU
9 207 260	1 set

Dimensions for cutting to size



- ▶ Dimension A = NL - 24.5
- ▶ Dimension B = LB - 2 x EB - 52.5
- ▶ Dimension D = system height 94 and 126 - 9.5
- ▶ Dimension D = system height 186 to 282 - 10

ArciTech double walled drawer system

- ▶ Solutions with bottom cutout
- ▶ Powder coated steel, anthracite

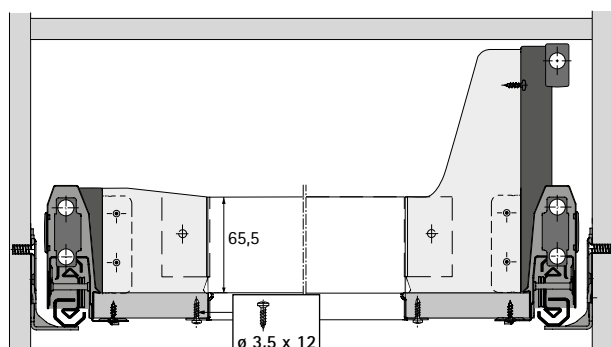


- ▶ For utilising the space below the U bend
- ▶ For drawers and pot-and-pan drawers

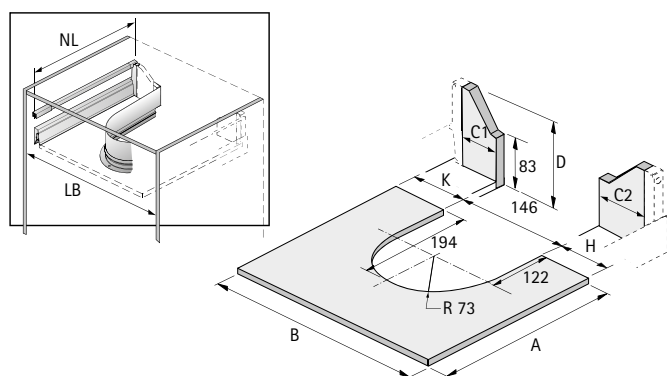
Metal surround for U bend cutout

Order no.	PU
9 204 284	1 ea.

Dimensional drawing



Dimensions for cutting to size



- ▶ Dimension A = NL - 24.5
- ▶ Dimension B = LB - 2 x EB - 52.5
- ▶ Dimension C1 = K - 6
- ▶ Dimension C2 = H - 6
- ▶ Dimension D = system height 94 and 126 - 9.5
- ▶ Dimension D = system height 186 to 282 - 10

Versatility that knows no bounds...



ArciTech inspires with its systematic diversity in design. You can mix and match all the standard components with ease for ultimate flexibility. And the best thing? You don't even have to change your production processes. Making a mark of distinction has never been so affordable. It all comes down to what you make of it.



<https://www.hettich.com/short/ca7070>

ArciTech double walled drawer systems

- ▶ Accessories
- ▶ Designer profiles



Variety is the key to success:

Differentiating has never been easier: the self adhesive designer profiles for ArciTech let you conjure a new look in the drawer in next to no time. In classy metal or wood look. Deceptively realistic, but inexpensively in plastic.

Can also be added at a later date – for a fast design upgrade. Discover Hettich designer profiles for your success: easy, exquisite, efficient.



Understated and effective:
Designer profiles for ArciTech



For use on drawers and pot-and-pan drawer with lengthwise railing

ArciTech double walled drawer systems

- ▶ Accessories
- ▶ Designer profiles

Technical details in brief

- ▶ Plastic
- ▶ Self adhesive
- ▶ For use on drawers and pot-and-pan drawer with lengthwise railing
- ▶ Nominal lengths: 500 mm, 650 mm
- ▶ Can be cut to any length
- ▶ Surface finishes: chrome, aluminium, stainless steel, oak and walnut look

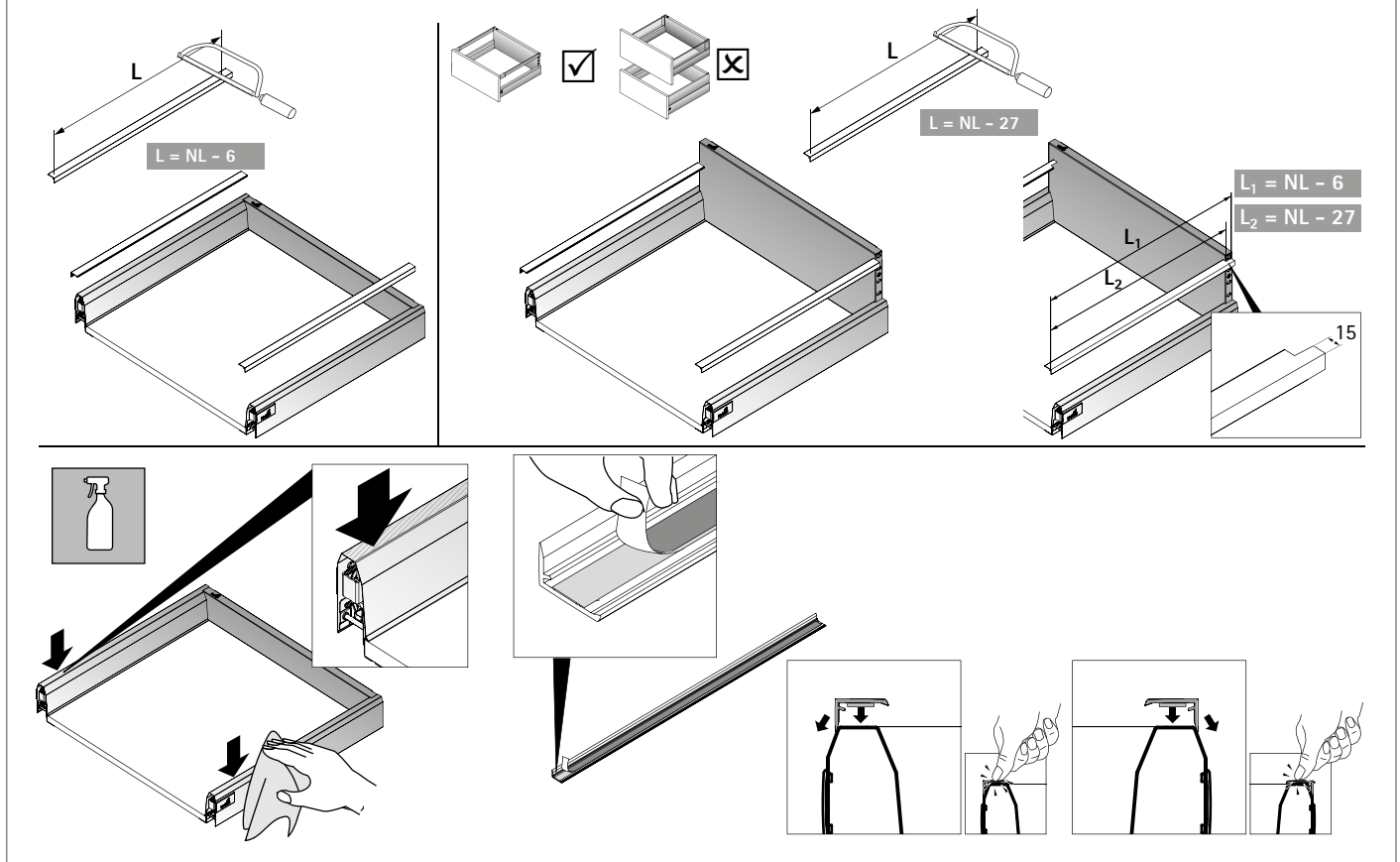
ArciTech designer profiles



- ▶ Plastic
- ▶ Self adhesive
- ▶ For use on drawers or pot-and-pan drawers with lengthwise railing
- ▶ Can be shortened as required

Finish	Order no. / Nominal lengths mm		PU
	500	650	
Chrome look	9 240 689	9 240 694	1/100 ea.
Aluminium look	9 240 690	9 240 695	1/100 ea.
Stainless steel look	9 240 691	9 240 696	1/100 ea.
Oak look	9 240 692	9 240 697	1/100 ea.
Walnut look	9 240 693	9 240 698	1/100 ea.

Installation



ArciTech double walled drawer systems

- ▶ Accessories
- ▶ Catch for internal drawers



Attractive design:

The internal drawers are hidden from view when the front is closed, making it easy to create purist furniture design with fewer reveals. This is where the Hettich catch provides convenience geared to individual needs: when the pot-and-pan drawer is opened, the internal drawer automatically opens with it. Reliably, no matter what it

contains. Drawer contents frequently needed are ready to hand more quickly. And when usage habits change: simply slide the adapter aside and the automatic opener is deactivated. Installation is also easy: screw on catch, clip on adapter, done.



Fewer reveals, easy access:
Catch for ArciTech, InnoTech Atira and InnoTech internal drawers



Catch for screwing on, adapter for clipping on

ArciTech double walled drawer systems

- ▶ Accessories
- ▶ Catch for internal drawers

Technical details in brief

- ▶ Catch for screwing on, adapter for clipping on
- ▶ Plastic
- ▶ Catch disengages by lifting
- ▶ Deactivated by sliding adapter aside
- ▶ Colours for ArciTech: grey, anthracite, quartz grey

Catch set for internal drawer

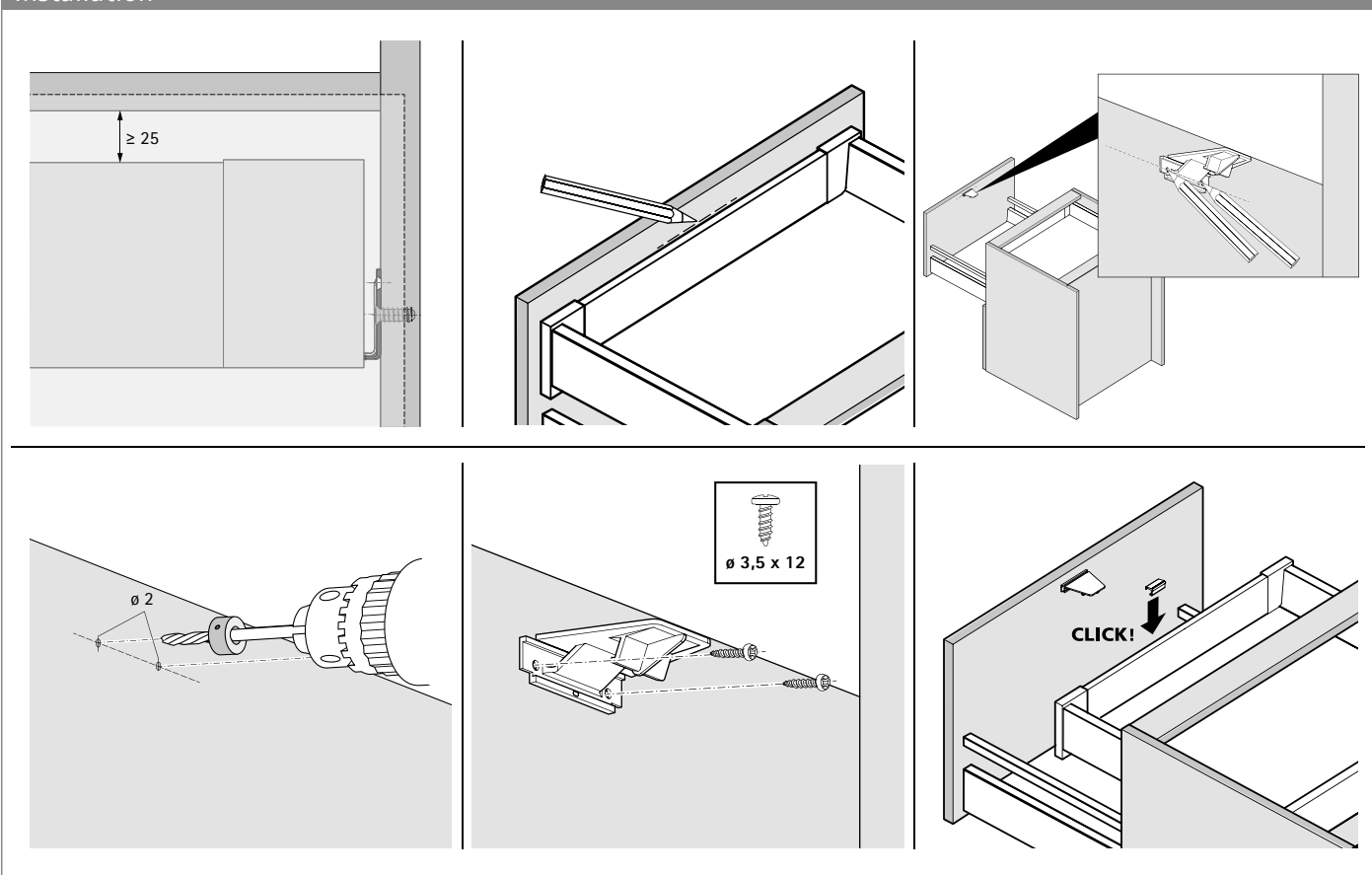


Set comprises:

- ▶ 1 catch for screwing on
- ▶ 1 adapter for clipping on
- ▶ Fixing material

Catch for internal drawers	Recommended for drawer side profile colour	Order no.	PU
ArciTech grey	silver, white	9 235 835	1 set
ArciTech in anthracite	anthracite	9 235 834	1 set
ArciTech quartz grey	champagne	9 235 836	1 set

Installation



► Range summary



Interior organisation for drawers / internal drawers

197 - 202



Interior organisation for pot-and-pan drawers / internal pot-and-pan drawers

203 - 205

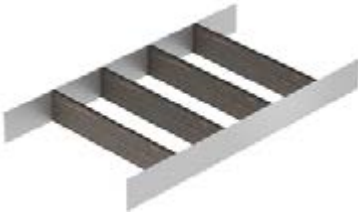
ArciTech double walled drawer system

► Interior organisation system for drawers and internal drawers



- High quality interior organisation system in elm effect and metal
- Variable in width
- All carcase widths are possible by combining individual articles
- An anti-slip mat must be used

OrgaTray 260 cutlery and utensil tray



- Width 250 mm, height 50 mm
- Elm effect, powder coated steel, silver

Nominal length mm	Order no.	PU
500	9 212 876	1 ea.

OrgaTray 260 basic divider



- Width 2 mm, height 50 mm
- Powder coated steel, silver

Set comprises:

- 2 basic dividers

Nominal length mm	Order no.	PU
500	9 212 898	1 set

OrgaTray 260 frame



- Width 100 mm, length 250 mm, height 50 mm
- Elm effect with magnets

Order no.	PU
9 212 874	1 ea.

OrgaTray 260, roll holder



- Width 87 mm, height 50 mm
- Powder coated steel, silver, anodized aluminium

Nominal length mm	Order no.	PU
500	9 212 889	1 ea.

ArciTech double walled drawer system

► Interior organisation system for drawers and internal drawers

OrgaTray 260, knife holder



- Width 187 mm, height 50 mm
- Elm effect, non-slip bottom panel, black, anodized aluminium, with magnets

Nominal length mm	Order no.	PU
500	9 212 892	1 ea.

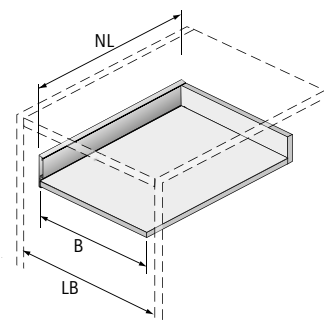
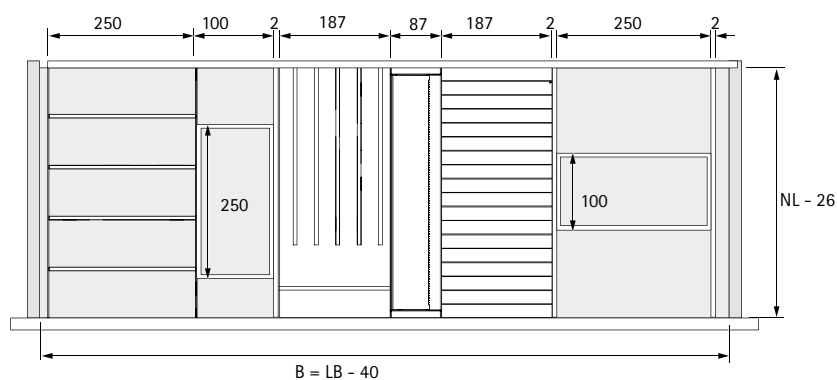
OrgaTray 260 wavy shelf for spices and utensils



- Width 187 mm, height 17 mm
- Powder coated steel, silver

Nominal length mm	Order no.	PU
500	9 212 895	1 ea.

Dimensional drawing



ArciTech double walled drawer system

► Interior organisation system for drawers and internal drawers

OrgaTray 260, possible combinations

350		1 x	2 x	2 x	1 x
400		1 x	2 x	1 x 1 x	1 x
450		1 x	2 x	1 x 1 x	1 x
500		1 x	2 x	1 x	*
550		1 x	2 x	1 x	*
600		1 x	3 x	1 x	*
800		2 x	3 x	1 x	*
900		2 x	1 x 3 x	1 x	*
1000		2 x	1 x 3 x	1 x	*
1200		3 x	1 x 3 x	1 x	*

* One basic divider set less is needed when using a roll holder.

ArciTech double walled drawer system

► Interior organisation system for drawers and internal drawers



- High quality interior organisation system in elm effect and metal
- Variable in width
- All carcass widths are possible by combining individual articles
- An anti-slip mat must be used

OrgaTray 260 frame with lid for facial tissues



- Width 130 mm, length 260 mm, height 71 mm
- Elm effect with magnets
- Please allow for higher installation space, for installed height, see page 65

Order no.	PU
9 212 918	1 set

OrgaTray 260 basic divider



- Width 2 mm, height 50 mm
- Powder coated steel, silver

Set comprises:
► 2 basic dividers

Nominal length mm	Order no.	PU
300	9 212 919	1 set
350	9 212 920	1 set
400	9 212 921	1 set

OrgaTray 260 frame



- Width 130 mm, length 260 mm, height 50 mm
- Elm effect with magnets

Order no.	PU
9 212 906	1 ea.

OrgaTray 260 frame with lid



- Width 130 mm, length 130 mm, height 50 mm
- Elm effect with magnets

Set comprises:
► 1 frame
► 1 lid

Order no.	PU
9 212 907	1 set

ArciTech double walled drawer system

► Interior organisation system for drawers and internal drawers

OrgaTray 260 divider for frame, 130 x 260 x 50



- Width 117 mm, length 247 mm, height 50 mm
- Aluminium, anodized

Order no.	PU
9 212 922	1 ea.

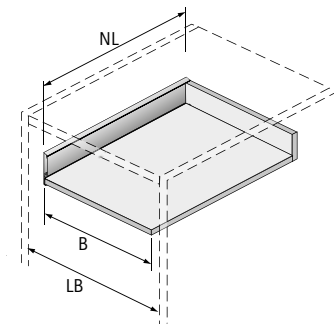
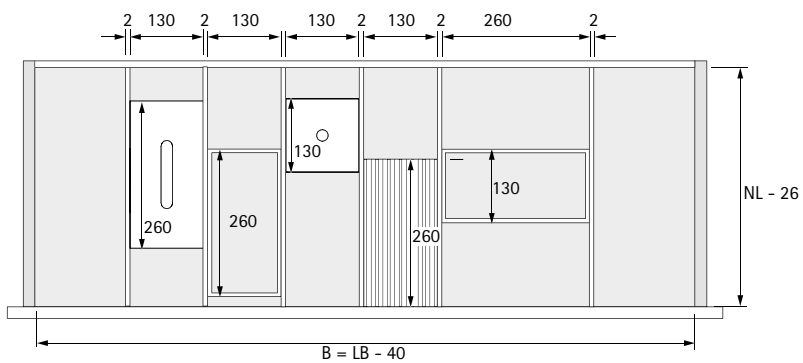
OrgaTray 260 wavy shelf for utensils



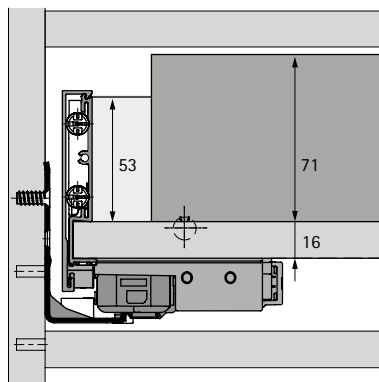
- Width 130 mm, length 260 mm, height 12 mm
- CDF, lacquered, silver

Order no.	PU
9 212 923	1 ea.

Dimensional drawing








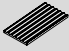







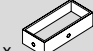


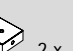







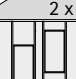





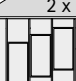





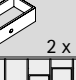




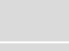
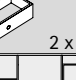

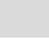









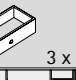





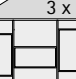











Dimensional drawing, inside height for frame with lid for facial tissues



ArciTech double walled drawer system

► Interior organisation system for drawers and internal drawers

OrgaTray 260, possible combinations

						
300		1 x 	1 x 	1 x 	1 x 	1 x 
350		2 x 	1 x 	1 x 	2 x 	1 x 
400		2 x 	1 x 	1 x 	2 x 	1 x 
450		2 x 	1 x 	1 x 	2 x 	1 x 
500		3 x 	1 x 	1 x 	1 x 	2 x 
550		3 x 	1 x 	1 x 	1 x 	2 x 
600		3 x 	1 x 	1 x 	2 x 	1 x 
800		4 x 	1 x 	1 x 	3 x 	2 x 
900		4 x 	1 x 	1 x 	3 x 	2 x 
1000		5 x 	1 x 	1 x 	3 x 	3 x 
1200		5 x 	1 x 	1 x 	3 x 	3 x 



- High quality interior organisation system in elm effect and metal
- Variable in width
- All carcase widths are possible by combining individual articles
- An anti-slip mat must be used

OrgaStore 260 frame with one divider



- Width 250 mm, length 250 mm, height 138 mm
- Elm effect with magnets

Set comprises:

- 1 frame, elm effect with magnets
- 1 cross partition, powder coated steel, silver

Order no.	PU
9 212 903	1 set

OrgaStore 260 frame with four dividers



- Width 250 mm, length 250 mm, height 138 mm
- Elm effect with magnets

Set comprises:

- 1 frame, elm effect with magnets
- 4 cross partitions, powder coated steel, silver

Order no.	PU
9 212 904	1 set

OrgaStore 260 basic divider



- Width 2 mm, height 138 mm
- Powder coated steel, silver

Set comprises:

- 2 basic dividers

Nominal length mm	Order no.	PU
500	9 212 901	1 set

OrgaStore 260 plate stacker

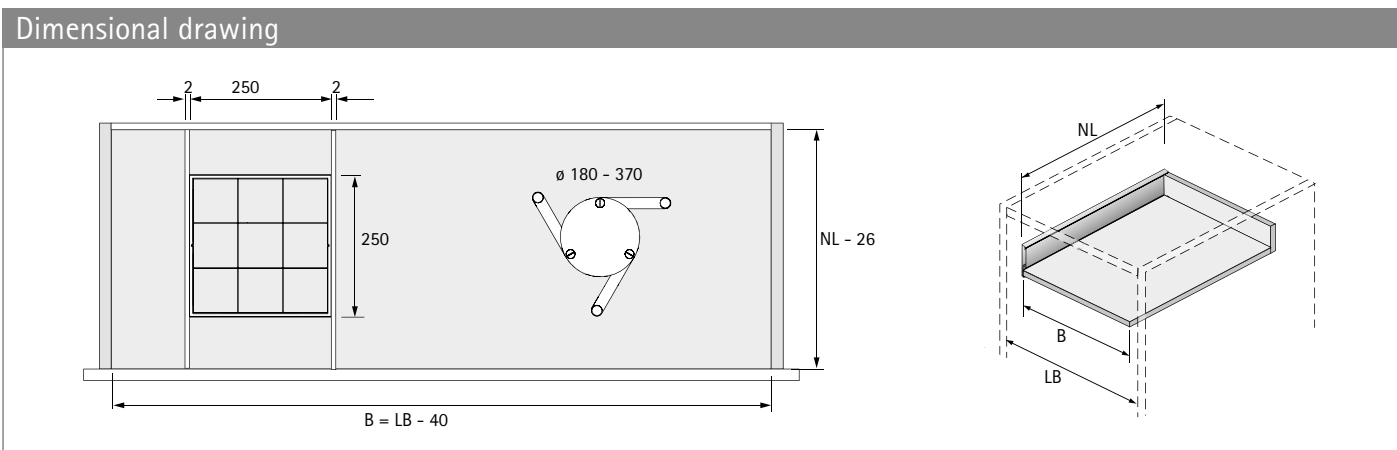


- Diameters from 180 mm to 370 mm, height 138 mm
- For plates in a diameter of 140 mm to 330 mm
- Aluminium, anodized, wood lacquered in silver

Order no.	PU
9 212 905	1 ea.

ArciTech double walled drawer system


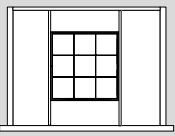
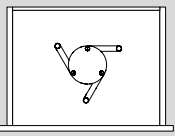
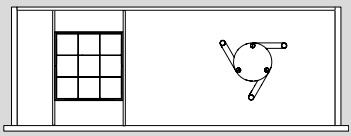
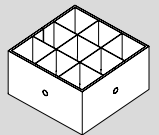
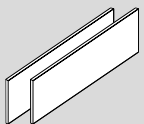
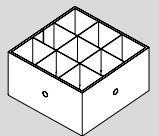
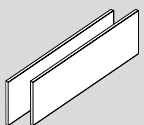
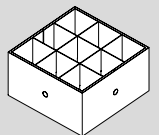
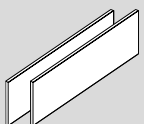
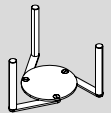
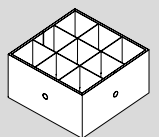
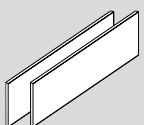
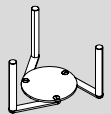
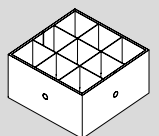
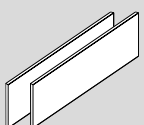
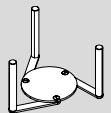
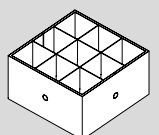
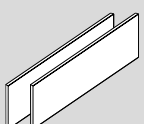
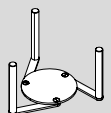
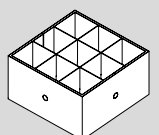
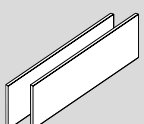
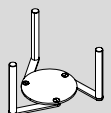
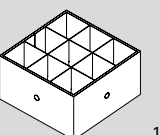
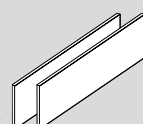
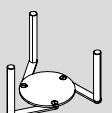
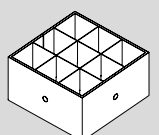
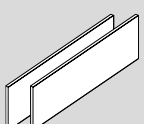
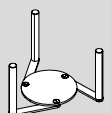
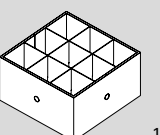
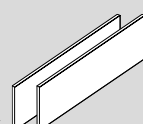
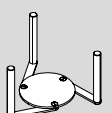
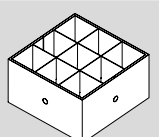
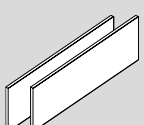
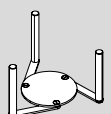
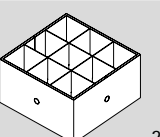
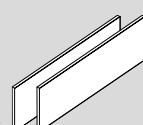
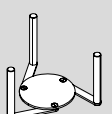
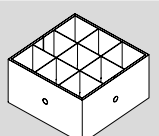
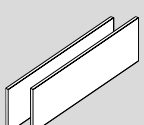
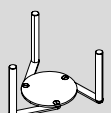
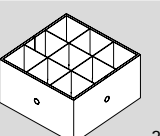
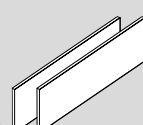
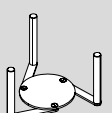
- ▶ Interior organisation system for pot-and-pan drawers and internal pot-and-pan drawers



ArciTech double walled drawer system

► Interior organisation system for drawers and internal drawers

OrgaTray 260, possible combinations

				
350	1 x 	1 x 		
400	1 x 	1 x 		
450	1 x 	1 x 	1 x 	
500	1 x 	1 x 	1 x 	
550	1 x 	1 x 	1 x 	
600	1 x 	1 x 	1 x 	
800	2 x 	2 x 	1 x 	1 x  1 x  1 x 
900	3 x 	3 x 	2 x 	1 x  1 x  1 x 
1000	3 x 	3 x 	2 x 	2 x  2 x  1 x 
1200	4 x 	4 x 	3 x 	3 x  3 x  1 x 

ArciTech double walled drawer system

- ▶ Actro drawer runner with Silent System
- ▶ Cabinet body side thickness 16 mm

Drawer runner



- ▶ Full extension runner
- ▶ With integrated Silent System
- ▶ Push to open Silent can be used by way of option
- ▶ Steel galvanised
- ▶ Load capacity to EN 15338, Level 3

Load capacity 10 kg

Nominal length mm	Order no.	PU	Order no. / cabinet side		PU
			left	right	
270	9 240 853	1 set	-	-	-
300	9 240 854	1 set	-	-	-
350	9 240 856	1 set	-	-	-

Load capacity 40 kg

Nominal length mm	Order no.	PU	Order no. / cabinet side		PU
			left	right	
270	9 240 857	1 set	-	-	-
300	9 240 869	1 set	-	-	-
350	9 240 870	1 set	9 238 764	9 238 765	15 ea.
400	9 240 871	1 set	9 238 766	9 238 768	15 ea.
450	9 240 872	1 set	9 238 773	9 238 774	15 ea.
500	9 240 873	1 set	9 238 777	9 238 778	15 ea.
550	9 240 874	1 set	-	-	-

Load capacity 60 kg

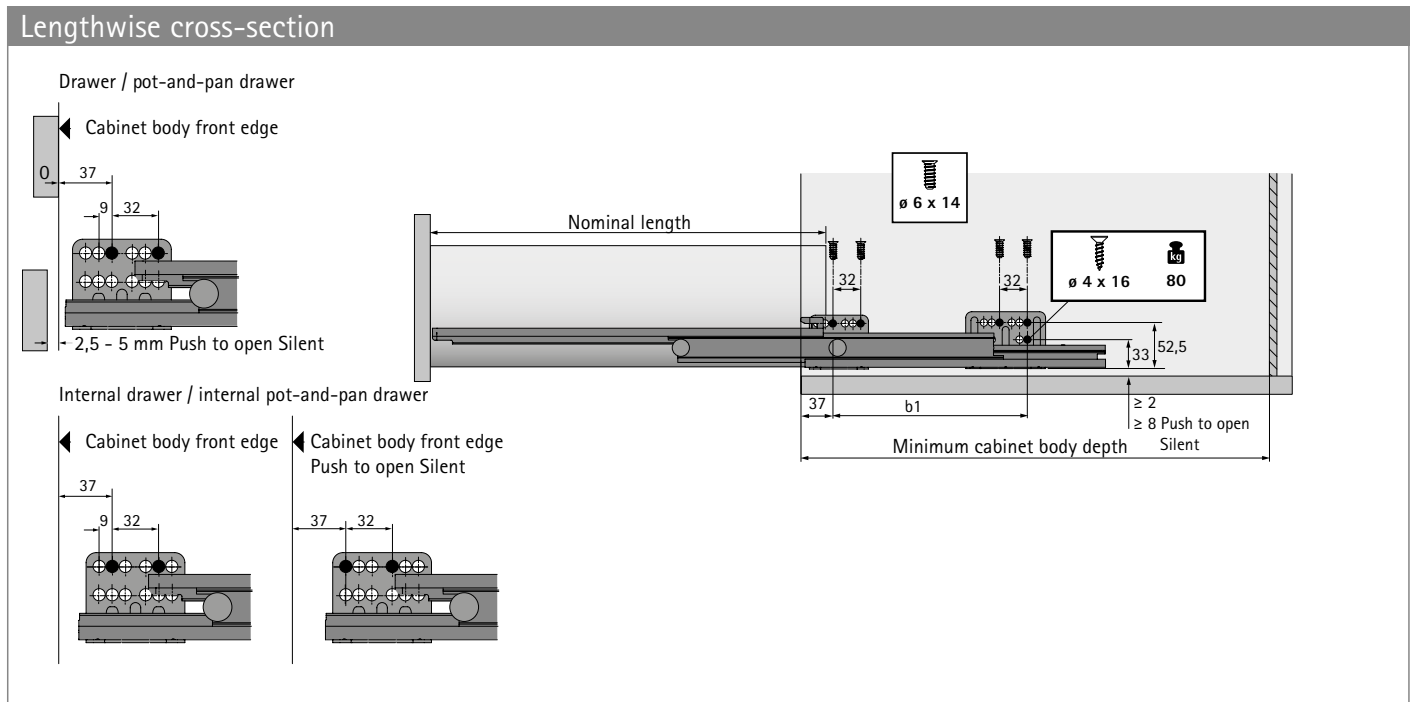
Nominal length mm	Order no.	PU	Order no. / cabinet side		PU
			left	right	
400	9 240 876	1 set	-	-	-
450	9 240 877	1 set	9 238 775	9 238 776	15 ea.
500	9 240 878	1 set	9 238 779	9 238 780	15 ea.
550	9 240 879	1 set	9 238 785	9 238 786	10 ea.
650	9 240 880	1 set	-	-	-

Load capacity 80 kg

Nominal length mm	Order no.	PU	Order no. / cabinet side		PU
			left	right	
500	9 240 881	1 set	-	-	-
550	9 240 882	1 set	-	-	-
650	9 240 883	1 set	-	-	-

ArciTech double walled drawer system

- ▶ Actro drawer runner with Silent System
- ▶ Cabinet body side thickness 16 mm



Installation dimensions with Silent System

Nominal length mm	Hole spacing b1 mm	Drawer / pot-and-pan drawer Minimum cabinet body depth mm	Internal drawer / internal pot-and-pan drawer Minimum cabinet body depth mm
270	128	273	282
300	160	303	312
350	192	353	362
400	192	403	412
450	192	453	462
500	224	503	512
550	256	553	562
650	288	653	662

Installation dimensions with Push to open Silent

Nominal length mm	Hole spacing b1 mm	Drawer / pot-and-pan drawer Minimum cabinet body depth mm	Internal drawer / internal pot-and-pan drawer Minimum cabinet body depth mm
270	128	273	291
300	160	303	321
350	192	353	371
400	192	403	421
450	192	453	471
500	224	503	521
550	256	553	571
650	288	653	671

ArciTech double walled drawer system

- ▶ Actro drawer runner with Silent System
- ▶ Cabinet body side thickness 16 mm

Push to open Silent opening system for ArciTech



- ▶ Optional synchronisation possible

Set comprises:

- ▶ 1 Push to open Silent unit, left and right
- ▶ 1 activator, left and right
- ▶ 2 adapters for synchronisation

Total weight kg	Actro kg	Nominal length mm	Order no.	PU
< 10	10	270 - 350	9 241 038	1 set
8 - 20	40	270 - 650	9 241 049	1 set
10 - 40	40	270 - 650	9 241 050	1 set
20 - 80	60 / 80	400 - 650	9 241 051	1 set

Optional synchronisation for Push to open Silent



- ▶ Recommended for cabinet body widths of 600 mm and over

Synchronisation bar:

- ▶ For cutting to length
- ▶ Length 2000 mm
- ▶ Aluminium, anodized

Connector:

- ▶ For connecting 2 synchronisation bars
- ▶ Plastic, grey

Article	Order no.	PU
1 Synchronisation bar	9 236 718	1/100 ea.
2 Connector	9 221 295	1/20 ea.

ArciTech double walled drawer system

- ▶ Actro drawer runner with Silent System
- ▶ Cabinet body side thickness 16 mm

Recommendation for drawer (front panel height up to approx. 150 mm)*

Nominal length mm	Nominal width mm											
	275	300	350	400	500	600	700	800	900	1000	1100	1200
270												
300												
350												
400												
450												
500												
550												
650												

Recommendation for pot-and-pan drawer (front panel height up to approx. 300 mm, light to medium duty loading)*

Nominal length mm	Nominal width mm											
	275	300	350	400	500	600	700	800	900	1000	1100	1200
270												
300												
350												
400												
450												
500												
550												
650												

Recommendation for pot-and-pan drawer, heavy duty (front panel height up to approx. 300 mm, heavy duty loading, e.g. with stacks of plates)*

Nominal length mm	Nominal width mm											
	275	300	350	400	500	600	700	800	900	1000	1100	1200
270												
300												
350												
400												
450												
500												
550												
650												

Order no. Push to open Silent:

9 241 038

9 241 049

9 241 050

9 241 051







* Recommendations for applications (front panel 19 mm chipboard, normal household loading), please refer to our online configurator to get more exact recommendations for customer chosen front panel dimensions and materials.



Further information:
<http://www.hettich.com/short/897f82>

Waste collecting systems

- ▶ Waste collecting systems behind front panels
- ▶ Range summary / technical comparison

	ArciTech Pull	Replacement bins / lids / summary	Laundry
			
Page	211 - 212	213	215 - 216
Description	<ul style="list-style-type: none"> ▶ Top running for <ul style="list-style-type: none"> - ArciTech drawers - Actro full extension runner ▶ Silent System 	<ul style="list-style-type: none"> ▶ Plastic bin and lid for customised configurations 	<ul style="list-style-type: none"> ▶ Top running for <ul style="list-style-type: none"> - ArciTech drawers ▶ Silent System
For cabinet width mm	<ul style="list-style-type: none"> ▶ 300, 400, 450, 500 or 600 mm 		<ul style="list-style-type: none"> ▶ 450, 600 mm
Separate waste collection	1-fold to 6-fold		1-fold, 2-fold
Capacity l	Flexibility is assured by the individual combination of containers		<ul style="list-style-type: none"> ▶  40l ▶  40l +  40l
Optional opening systems	<ul style="list-style-type: none"> ▶ Easys electromechanical opening system ▶ Foot pedal 		<ul style="list-style-type: none"> ▶ Easys electromechanical opening system ▶ Foot pedal

Waste collecting systems



- ▶ Waste collecting systems behind front panels
- ▶ ArciTech Pull



- ▶ Top running waste collecting system for ArciTech drawer, 94 mm high
- ▶ ArciTech Pull frame is fitted instead of drawer bottom panel
- ▶ Frame can be equipped as required with various bins and accessories
- ▶ Please order bin separately
- ▶ ArciTech drawer components must be ordered separately
- ▶ Powder coated steel, silver

Set comprises:

- ▶ 1 fitted frame including front stay and lid
- ▶ Fixing material

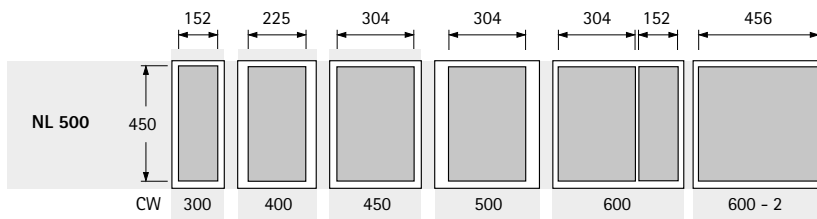
Page reference:

- ▶ For bin, see page 213
- ▶ For ArciTech drawer components, see page 10 - 11, 72 - 73, 132 - 133
- ▶ For further accessories, see page 204

ArciTech Pull frame

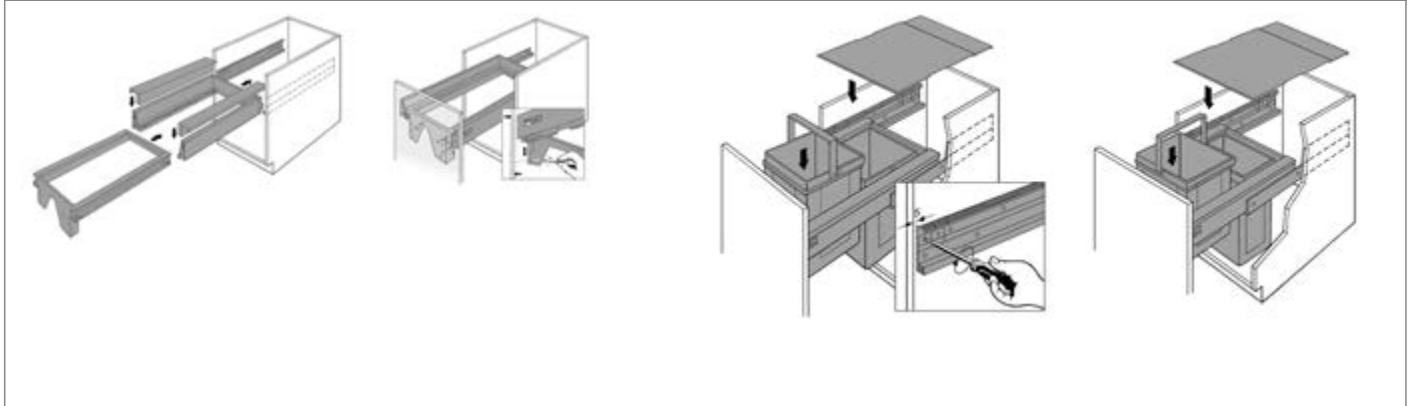
For cabinet body width mm	Type	Order no. / Nominal length mm 500	PU
300		9 132 365	1 set
400		9 132 366	1 set
450		9 132 367	1 set
500		9 132 368	1 set
600		9 132 371	1 set
600	600 - 2 (for 2 x 42 l)	9 134 772	1 set

Partitioning



NL = Nominal length CW = Cabinet body width

Installation





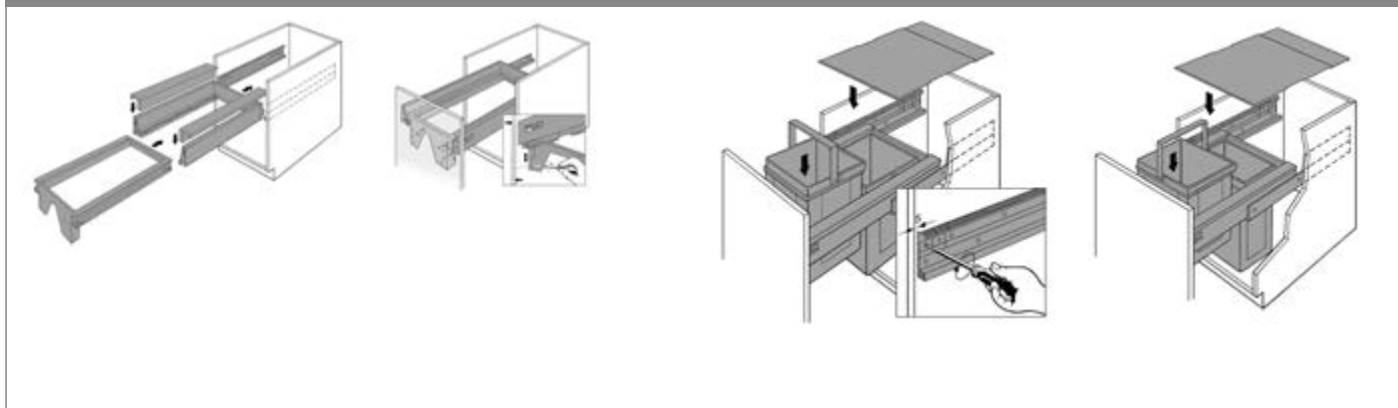
- ▶ Top running waste collecting system for ArciTech drawer, 94 mm high
- ▶ ArciTech Pull frame is fitted instead of drawer bottom panel
- ▶ Frame can be equipped as required with various bins and accessories
- ▶ ArciTech drawer components must be ordered separately
- ▶ Frame powder coated steel, silver
- ▶ Bin plastic grey

- Set comprises:
- ▶ 1 fitted frame including front stay and lid
 - ▶ Bins
 - ▶ Fixing material

ArciTech Pull, all inclusive sets

For carcase width mm	Capacity	Order no.	PU
300	+	9 162 419	1 set
350		9 234 127	1 set
400	+	9 162 420	1 set
400	+	9 162 421	1 set
400	+	9 162 422	1 set
450	+	9 162 423	1 set
450	+	9 162 424	1 set
500	+	9 162 425	1 set
500	+	9 162 426	1 set
500	+	9 162 427	1 set
600	+ + +	9 162 428	1 set
600	+ + +	9 162 429	1 set
600	+ + +	9 162 430	1 set
600	+	9 162 431	1 set

Installation



Waste collecting systems

► Waste collecting systems behind front panels

► ArciTech Pull



- For fitting any chosen component in the ArciTech Pull frame
- Plastic bin with sturdy double handle
- As standard, all bins are supplied without lid
- Lids must be ordered separately, see below
- The lid heights specified below are total dimensions, the additional height for all lids is 2 mm

Page reference:

- For ArciTech Pull frame, see page 211

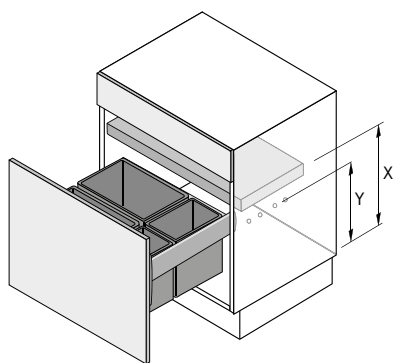
Bin

Article	Finish	Width mm	Depth mm	Height mm	Order no.	PU
Bin 5 l	Plastic grey	152	152	295	9 132 375	1 ea.
Bin 7 l	Plastic grey	152	225	260	9 132 376	1 ea.
Bin 8 l	Plastic grey	152	225	295	9 132 377	1 ea.
Bin 11 l	Plastic grey	152	304	295	9 132 378	1 ea.
Bin 15 l	Plastic grey	225	304	260	9 132 379	1 ea.
Bin 17 l	Plastic grey	225	304	295	9 132 380	1 ea.
Bin 29 l	Plastic grey	225	304	460	9 132 381	1 ea.
Bin 42 l	Plastic grey	225	456	495	9 134 859	1 ea.

Lid

Article	Finish	Width mm	Depth mm	Height mm	Order no.	PU
Lid 5 l	Plastic grey	152	152	21	9 132 383	1 ea.
Lid 5 l	Plastic green	152	152	21	9 132 344	1 ea.
Lid 7 / 8 l	Plastic grey	152	225	21	9 132 384	1 ea.
Lid 7 / 8 l	Plastic green	152	225	21	9 132 382	1 ea.
Cover 11 l	Plastic grey	152	304	21	9 132 385	1 ea.
Lid 15 / 17 / 29 l	Plastic grey	225	304	21	9 132 386	1 ea.
Lid 42 l	Plastic grey	225	456	21	9 134 860	1 ea.

Planning dimensions



Bin height mm	X mm	Y mm
260	332	247
295	367	282
460	532	447
495	567	482



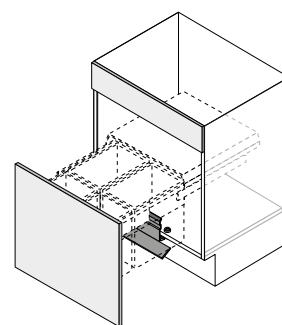
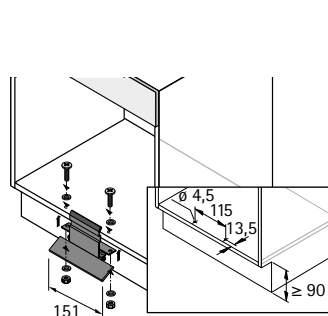
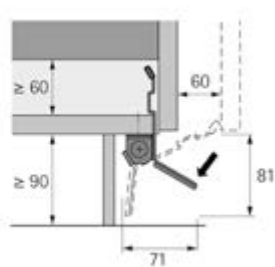
- ▶ Waste collecting systems behind front panels
- ▶ ArciTech Pull accessories

ArciTech Pull and InnoTech Pull foot pedal



- ▶ Retrofittable Pull foot pedal
- ▶ Suitable for ArciTech Pull waste collecting systems
- ▶ Elegant design
- ▶ Stainless steel

Order no.	PU
9 111 679	1 ea.



▶ Laundry basket pull-out, ArciTech Pull Laundry 600

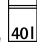


- ▶ Laundry basket pull-out for ArciTech drawers, height 94 mm
- ▶ For nominal length (NL) of 500 mm
- ▶ For cabinet body width 600 mm
- ▶ The ArciTech Pull Laundry frame is fitted instead of a drawer bottom panel
- ▶ Including two removable laundry baskets with handles
- ▶ ArciTech drawer components must be ordered separately
- ▶ Frame, powder coated, silver
- ▶ Laundry baskets, white plastic

ArciTech Pull Laundry 600



Set comprises:

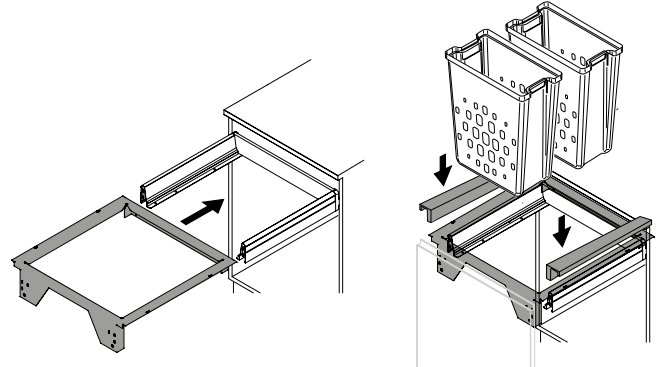
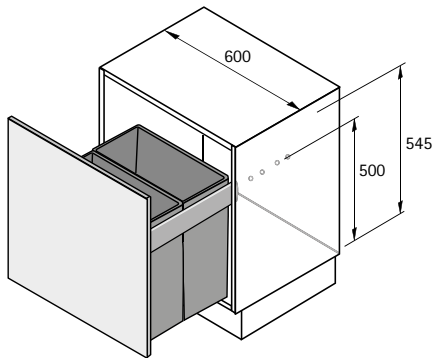
- ▶ 1 fitted frame including front stay
- ▶ 2 laundry baskets, 
- ▶ Fixing material

Page reference:

- ▶ For ArciTech drawer components, see page 10 - 11, 72 - 73, 132 - 133

Order no.	PU
9 207 634	1 set

Planning dimensions



▶ Laundry basket pull-out, ArciTech Pull Laundry 450

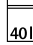


- ▶ Laundry basket pull-out for ArciTech drawers, height 94 mm
- ▶ For nominal length (NL) of 500 mm
- ▶ For cabinet body width 450 mm
- ▶ The ArciTech Pull Laundry frame is fitted instead of a drawer bottom panel
- ▶ Including one removable laundry baskets with handles
- ▶ ArciTech drawer components must be ordered separately
- ▶ Frame, powder coated, silver
- ▶ Laundry baskets, white plastic

ArciTech Pull Laundry 450



Set comprises:

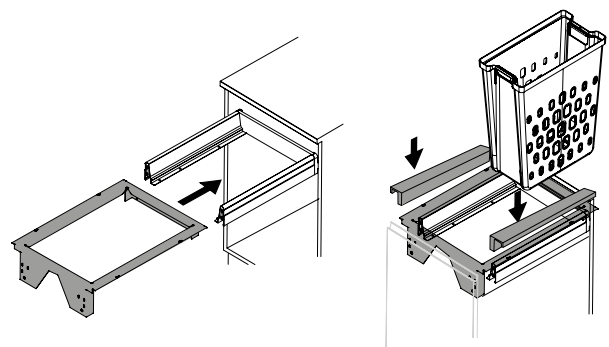
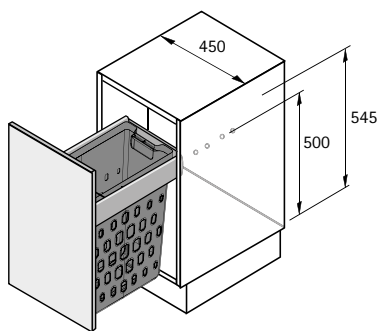
- ▶ 1 fitted frame including front stay
- ▶ 1 laundry basket, 
- ▶ Fixing material

Page reference:

- ▶ For ArciTech drawer components, see page 10 - 11, 72 - 73, 132 - 133

Order no.	PU
9 233 564	1 set

Planning dimensions



ArciTech double walled drawer system

- ▶ Assembly machinery
- ▶ Summary



Assembly aids for drawers

218 - 219



Drilling jigs

220 - 223



ArciFit 300



- For assembling ArciTech drawers and pot-and-pan drawers
- Manual system positioning and pneumatic system pressing
- All settings can be made without the need for tools
- Air pressure 6 - 8 bar / 100 psi
- Capacity: up to 65 drawers an hour
- Metal frame

Order no.	PU
9 123 527	1 ea.

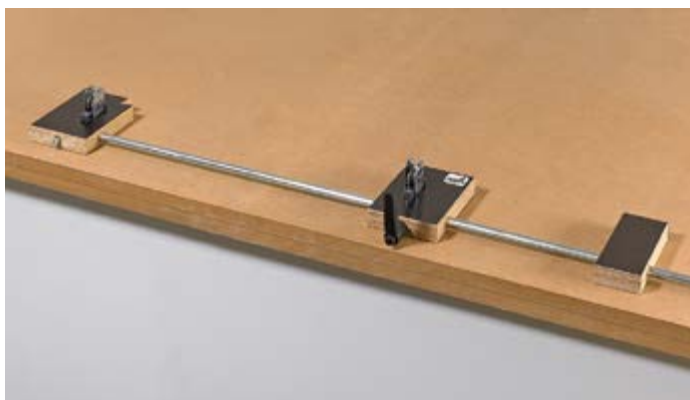
ArciFit 200



- For assembling ArciTech drawers and pot-and-pan drawers
- Manual system positioning and assembly
- All settings can be made without the need for tools
- Capacity: up to 40 drawers an hour
- Metal frame

Order no.	PU
9 123 525	1 ea.

ArciFit 100



- For assembling ArciTech drawers and pot-and-pan drawers
- Manual component positioning and assembling
- All settings can be made without the need for tools
- Galvanised metal bar with wooden panel
- Capacity: up to 15 drawers an hour

Order no.	PU
9 123 524	1 ea.

ArciFit 100 upgrade set



- For installing ArciTech wooden and aluminium rear panels
- Manual component positioning and assembling
- All settings can be made without the need for tools
- Wooden panel

Order no.	PU
9 184 696	1 set

Assembly aids for drawers

▶ Stacking aid for ArciTech and InnoTech Atira

Assembly jig for ArciTech, InnoTech and InnoTech Atira wooden rear panel



- ▶ For installing ArciTech / InnoTech / InnoTech Atira wooden and aluminium rear panels
- ▶ Manual component positioning and assembling
- ▶ All settings can be made without the need for tools
- ▶ Aluminium frame

Order no.	PU
9 184 693	1 ea.

Stacking profile for ArciTech

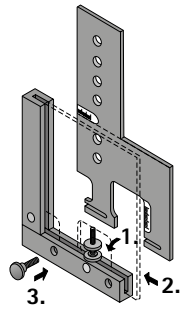


- ▶ For stacking drawers and pot-and-pan drawers
- ▶ Plastic
- ▶ Length 500 mm
- ▶ Can be shortened as required

Order no.	PU
9 153 351	1/40 ea.

- ▶ Practica
- ▶ For front panel connector

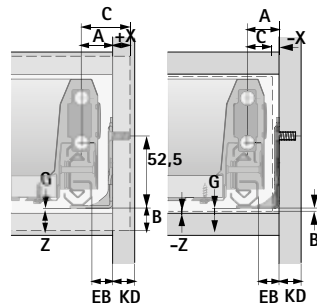
face angle application



- ▶ Face angle application for combination with Practica drilling jig for
 - AvanTech / ArciTech / InnoTech / InnoTech Aтира
- ▶ Aluminium

Order no.	PU
0 078 093	1 ea.

Practica for ArciTech



- ▶ For installing the front panel connector for
 - ArciTech drawer / pot-and-pan drawer
 - ArciTech pot-and-pan drawer with 2nd railing level
- ▶ ArciTech adjustment range
 - Side front panel overlay: up to -5 mm, up to +19 mm
 - Front panel height: from bottom edge of drawer runner, up to + 25 mm
- ▶ Aluminium
- ▶ Please order sleeve drill accessories separately

Page reference:

- ▶ For accessory sleeve drill, see page 223

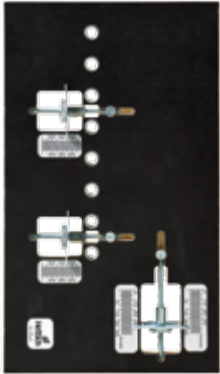
Order no.	PU
9 128 172	1 ea.

Drilling jigs

- ▶ Practica 200
- ▶ For connecting front panels



Practica 200 for ArciTech / InnoTech / InnoTech Atira



- ▶ For installing the front panel connector for
 - ArciTech / InnoTech / InnoTech Atira
 - Drawer and pot-and-pan drawer
- ▶ Plywood
- ▶ Hardened steel drilling bushes for 10 mm drill bit with depth setting ring
- ▶ ArciTech adjustment range
 - Side front panel overlay: up to -5 mm, up to +20 mm
 - Front panel height: up to +30 mm from bottom edge of drawer base
- ▶ InnoTech / InnoTech Atira adjustment range
 - Side front panel overlay: up to -6 mm, up to +20 mm
 - Front panel height: up to +35 mm from bottom edge of drawer base

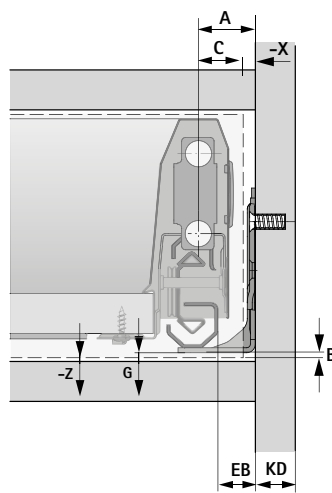
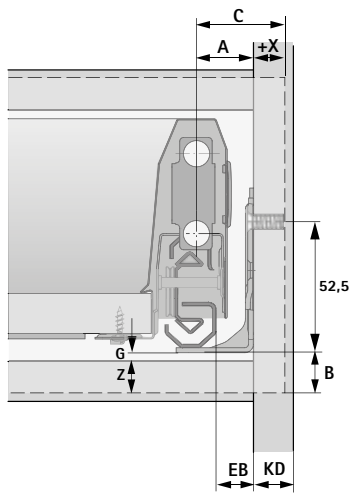
Order no.	PU
9 162 018	1 ea.

Planning dimensions

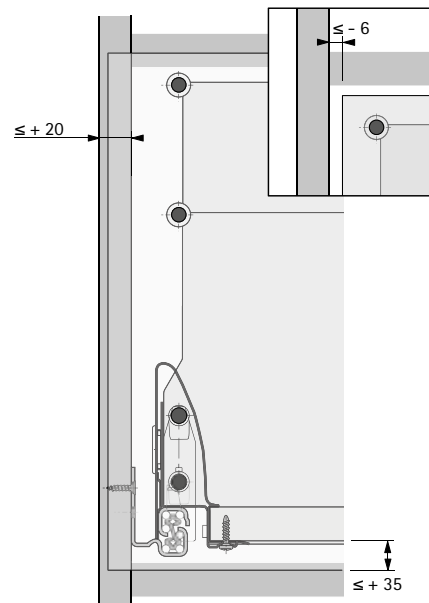
<http://www.hettich.com/short/5b9550>



ArciTech



InnoTech / InnoTech Atira





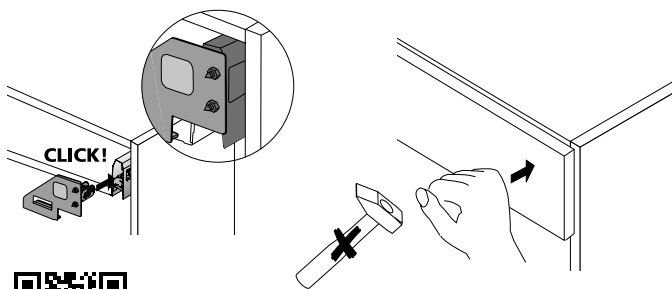
BlueJig AT



- For marking the holes for fitting ArciTech front panel connector
- Steel

Set comprises:
 ► 2 BlueJig AT (right / left)

Order no.	PU
9 163 229	1 set



<http://www.hettich.com/short/731f6e>

Knock in tool for ArciTech front panel connector



- For knock in assembly of the ArciTech drawer front connector
- For knock in assembly of the ArciTech drawer front connector for drawer side profile

Type	Order no.	PU
Drawer side profile height 94 / 126 mm	9 127 211	1 ea.

Knock in tool for ArciTech railing front connector



- For knock in assembly of the ArciTech drawer front connector for lengthwise railing

Order no.	PU
9 140 129	1 ea.

Wood drill bit with cylindrical shaft

▶ Sleeve drill

Sleeve drill



- ▶ Minimal drill wear as the drill bit does not come into contact with the jig
- ▶ Precision drill bit guidance through sleeve
- ▶ Adjustable drill depth stop
- ▶ Can be used with Accura, Practica, Lift Advanced drilling jigs

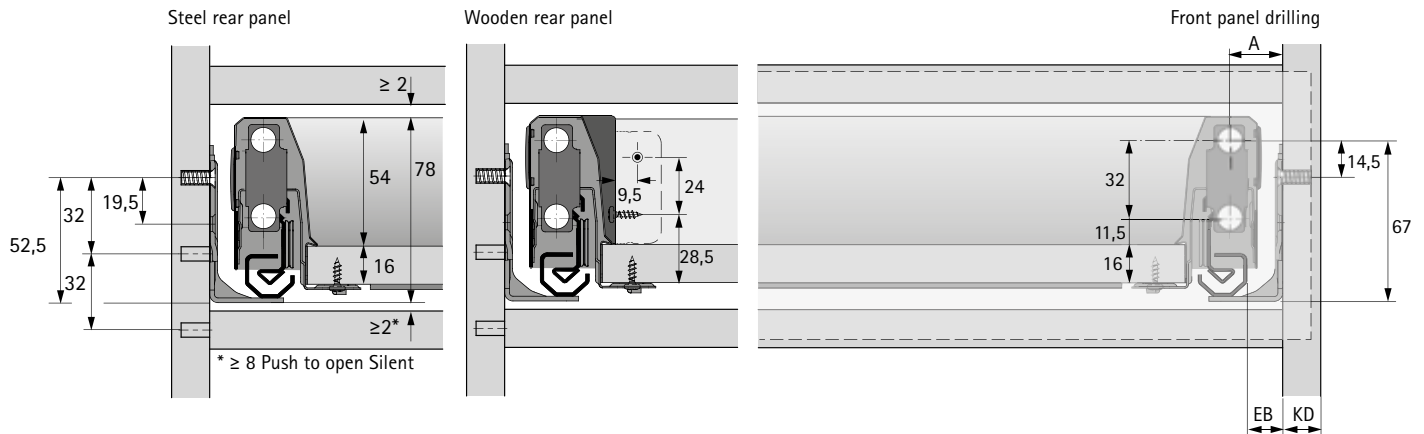
Page reference:

- ▶ For Practica drilling jig, see page 220

Article	Diameter mm	Order no.	PU
Sleeve drill	10	0 078 096	1 ea.
Spare drill bit without sleeve	10	0 079 005	1 ea.

- ▶ Drawer, height 78 mm
- ▶ Technical Information

Planning dimensions

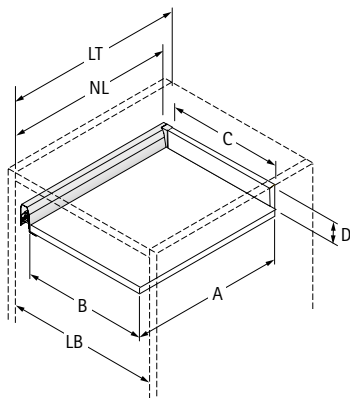


Actro Installed width

With 3 Actro installed widths (EB) to choose from, 3 different carcass side panel thicknesses (KD) can be accommodated – without having to change the drawer dimensions. The following dimensions apply:

KD mm	16	18	19
EB mm	15	13	12
Dimension A mm	23	21	20

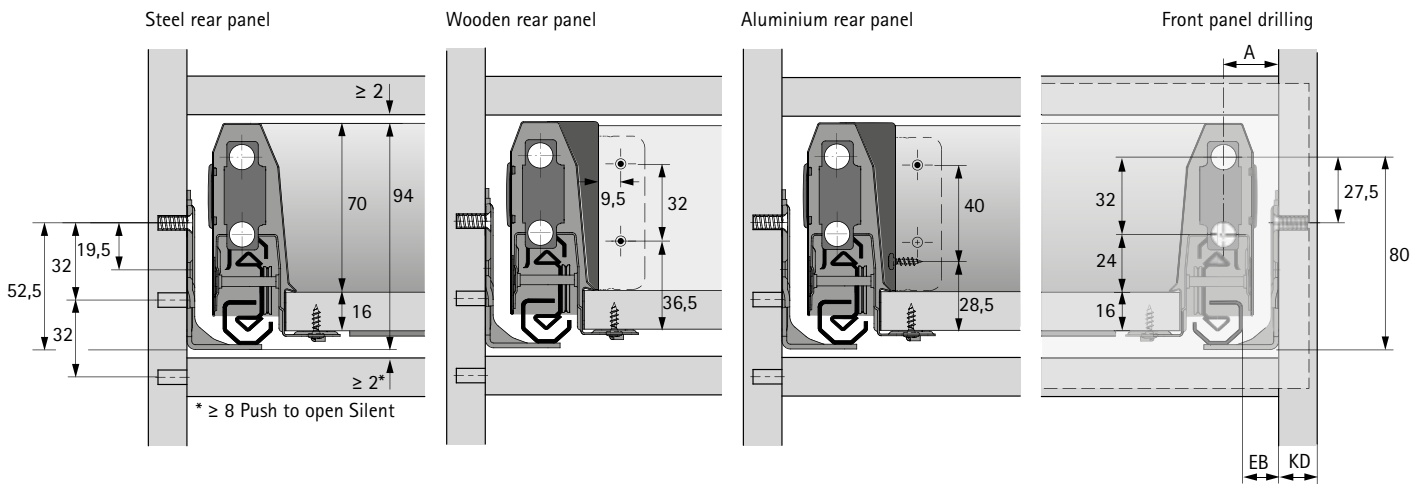
Dimensions for cutting to size



Dimension	Steel rear panel	Wooden rear panel
A	NL - 21	NL - 24.5
B	LB - 2 x EB - 52.5	LB - 2 x EB - 52.5
C	-	LB - 2 x EB - 64
D	-	68.5

- ▶ Drawer, height 94 mm
- ▶ Technical Information

Planning dimensions

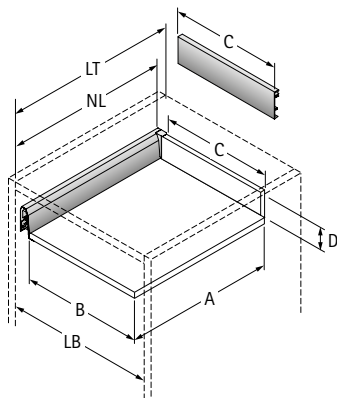


Actro Installed width

With 3 Actro installed widths (EB) to choose from, 3 different carcass side panel thicknesses (KD) can be accommodated – without having to change the drawer dimensions. The following dimensions apply:

KD mm	16	18	19
EB mm	15	13	12
Dimension A mm	23	21	20

Dimensions for cutting to size



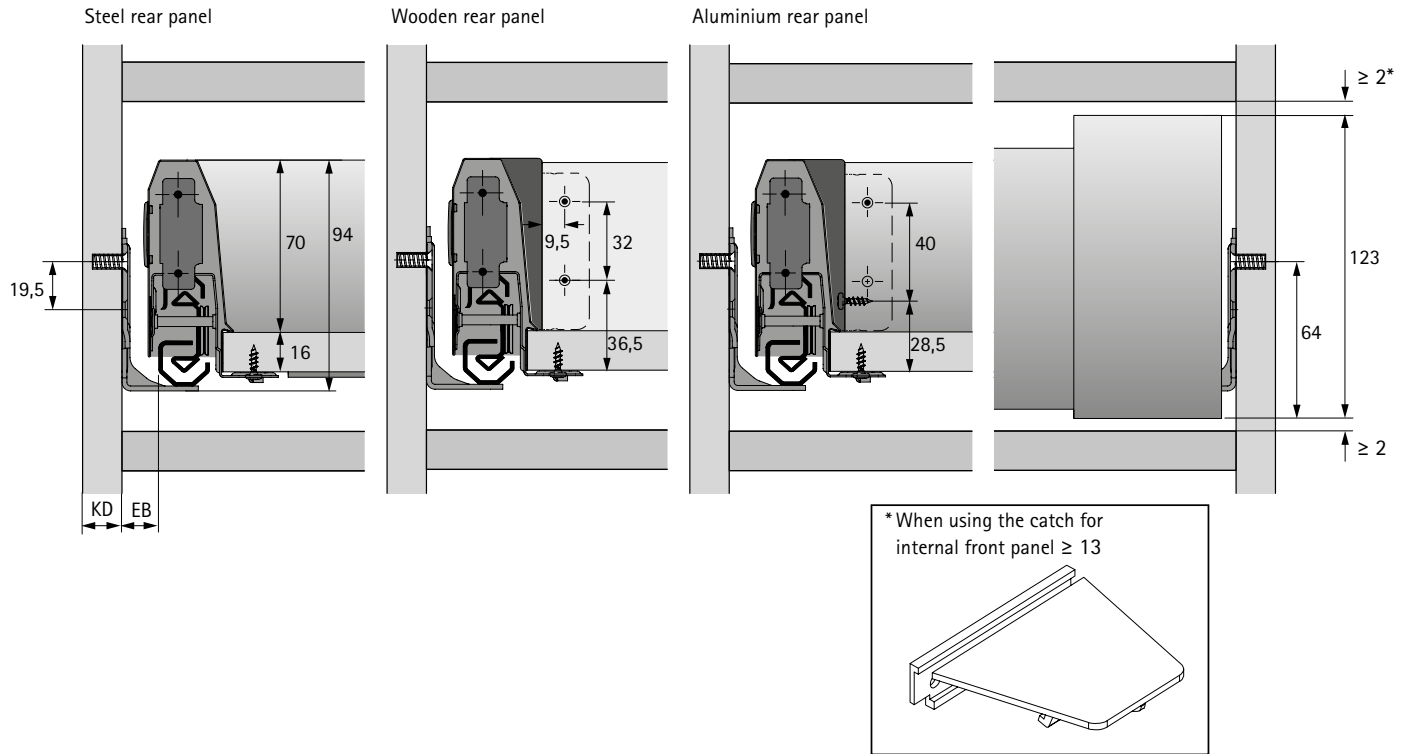
Dimension	Steel rear panel	Wooden rear panel	Aluminium rear panel
A	NL - 21	NL - 24.5	NL - 24.5
B	LB - 2 x EB - 52.5	LB - 2 x EB - 52.5	LB - 2 x EB - 52.5
C	-	LB - 2 x EB - 64	LB - 2 x EB - 64
D	-	84.5	-

ArciTech double walled drawer system



- ▶ Internal drawer, height 94 mm
- ▶ Technical Information

Planning dimensions

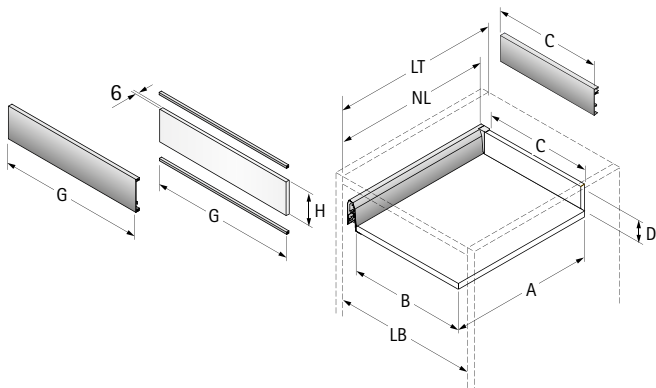


Actro Installed width

With 3 Actro installed widths (EB) to choose from, 3 different carcass side panel thicknesses (KD) can be accommodated – without having to change the drawer dimensions. The following dimensions apply:

KD mm	16	18	19
EB mm	15	13	12

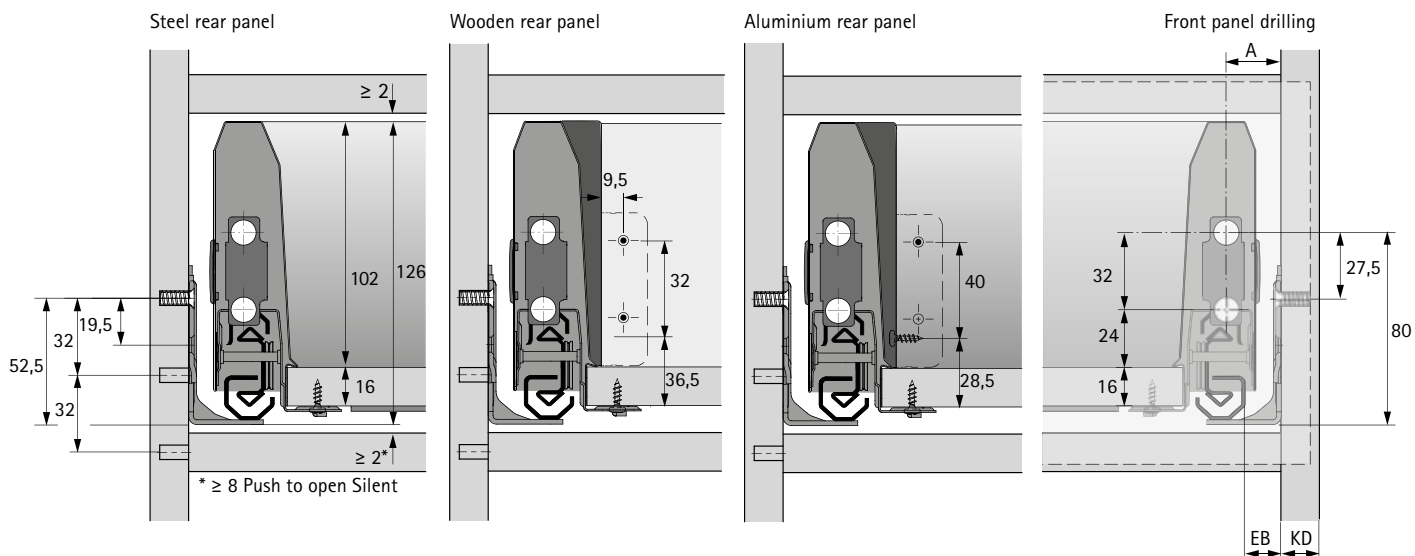
Dimensions for cutting to size



Dimension	Steel rear panel	Wooden rear panel	Aluminium rear panel
A	NL - 21	NL - 24.5	NL - 24.5
B	LB - 2 x EB - 52.5	LB - 2 x EB - 52.5	LB - 2 x EB - 52.5
C	-	LB - 2 x EB - 64	LB - 2 x EB - 64
D	-	84.5	-
G	LB - 2 x EB - 62	LB - 2 x EB - 62	LB - 2 x EB - 62
H	105.5	105.5	105.5

- ▶ Drawer, height 126 mm
- ▶ Technical Information

Planning dimensions

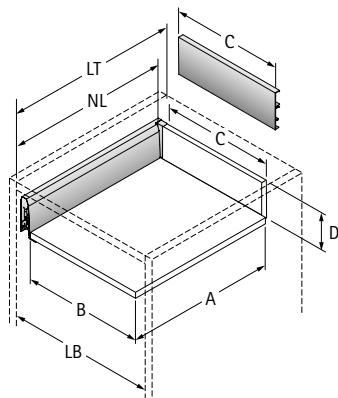


Actro Installed width

With 3 Actro installed widths (EB) to choose from, 3 different carcass side panel thicknesses (KD) can be accommodated – without having to change the drawer dimensions. The following dimensions apply:

KD mm	16	18	19
EB mm	15	13	12
Dimension A mm	23	21	20

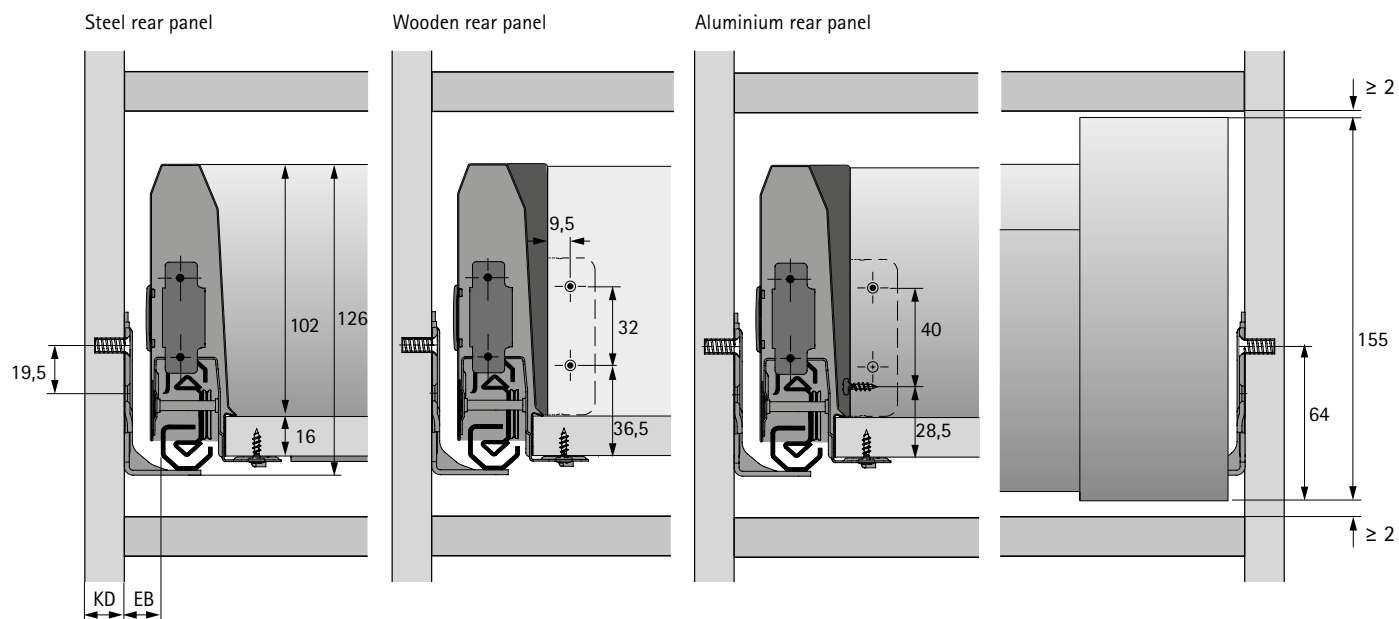
Dimensions for cutting to size



Dimension	Steel rear panel	Wooden rear panel	Aluminium rear panel
A	NL - 21	NL - 24.5	NL - 24.5
B	LB - 2 x EB - 52.5	LB - 2 x EB - 52.5	LB - 2 x EB - 52.5
C	-	LB - 2 x EB - 64	LB - 2 x EB - 64
D	-	116.5	-

- ▶ Internal drawer, height 126 mm
- ▶ Technical Information

Planning dimensions

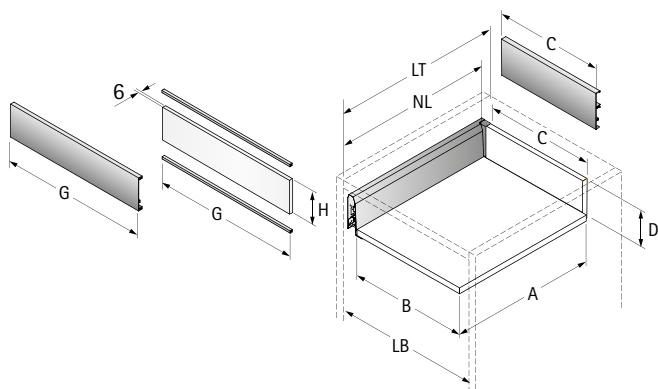


Actro Installed width

With 3 Actro installed widths (EB) to choose from, 3 different carcass side panel thicknesses (KD) can be accommodated – without having to change the drawer dimensions. The following dimensions apply:

KD mm	16	18	19
EB mm	15	13	12

Dimensions for cutting to size



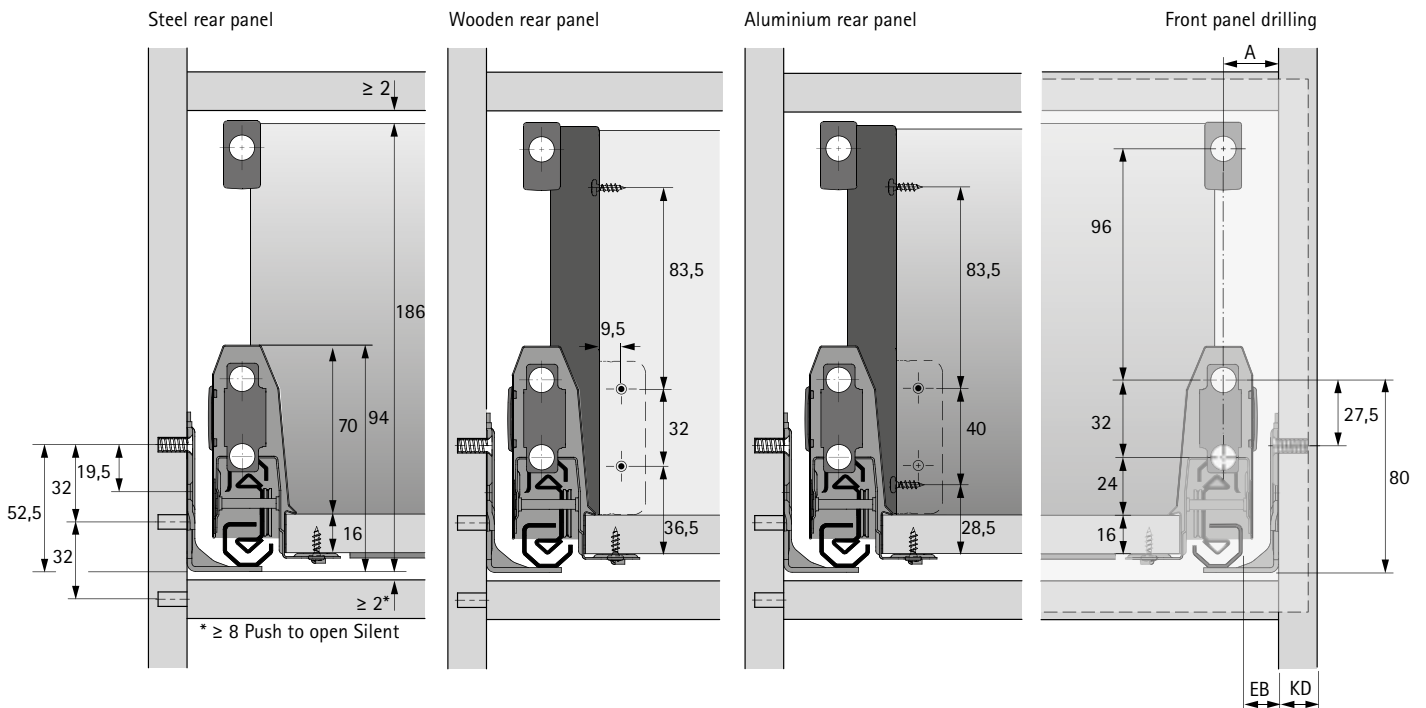
Dimension	Steel rear panel	Wooden rear panel	Aluminium rear panel
A	NL - 21	NL - 24.5	NL - 24.5
B	LB - 2 x EB - 52.5	LB - 2 x EB - 52.5	LB - 2 x EB - 52.5
C	-	LB - 2 x EB - 64	LB - 2 x EB - 64
D	-	116.5	-
G	LB - 2 x EB - 62	LB - 2 x EB - 62	LB - 2 x EB - 62
H	105.5	105.5	105.5

ArciTech double walled drawer system



- ▶ Pot-and-pan drawer with railing, height 186 mm, drawer side profile height 94 mm
- ▶ Technical Information

Planning dimensions

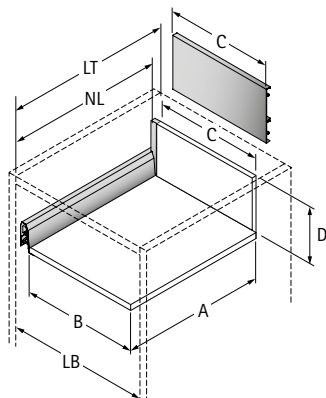


Actro Installed width

With 3 Actro installed widths (EB) to choose from, 3 different carcass side panel thicknesses (KD) can be accommodated – without having to change the drawer dimensions. The following dimensions apply:

KD mm	16	18	19
EB mm	15	13	12
Dimension A mm	23	21	20

Dimensions for cutting to size



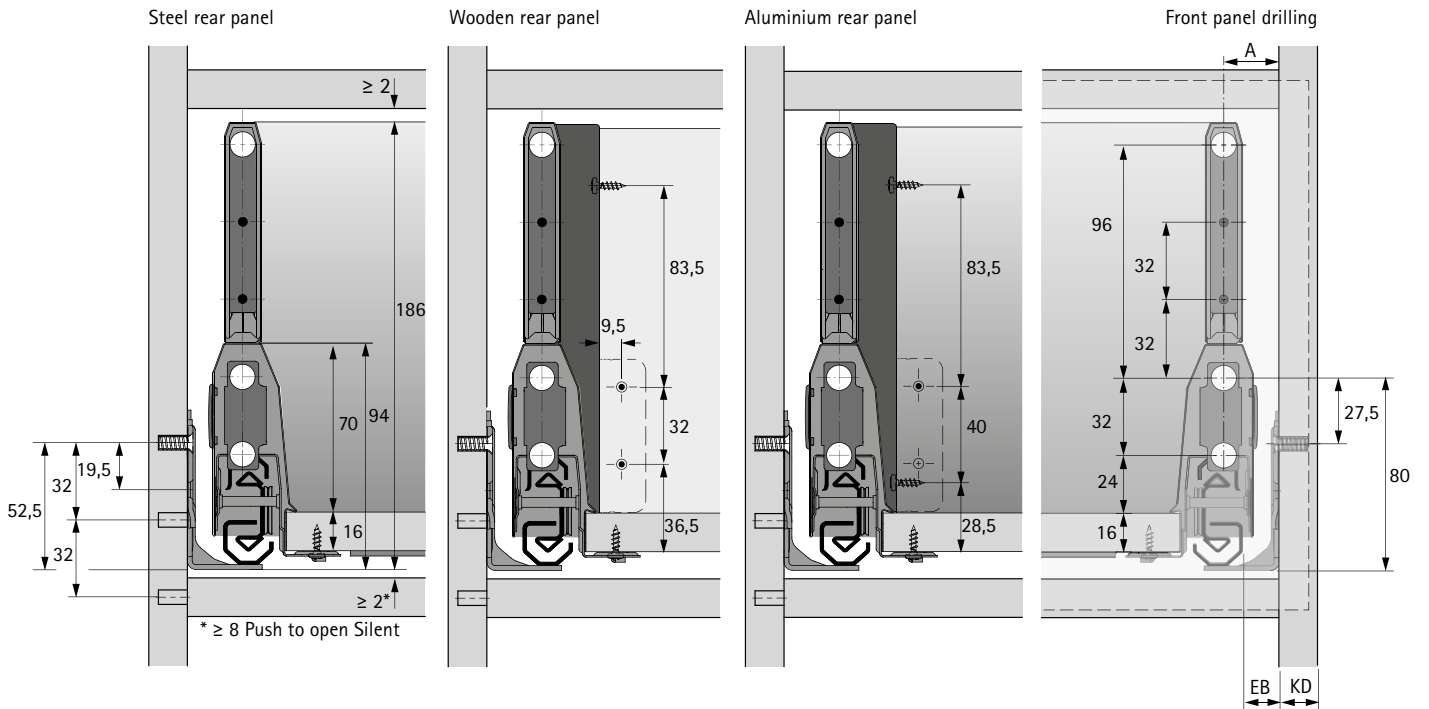
Dimension	Steel rear panel	Wooden rear panel	Aluminium rear panel
A	NL - 21	NL - 24.5	NL - 24.5
B	LB - 2 x EB - 52.5	LB - 2 x EB - 52.5	LB - 2 x EB - 52.5
C	-	LB - 2 x EB - 64	LB - 2 x EB - 64
D	-	176	-

ArciTech double walled drawer system



- ▶ Pot-and-pan drawer with DesignSide / TopSide, height 186 mm, drawer side profile height 94 mm
- ▶ Technical Information

Planning dimensions

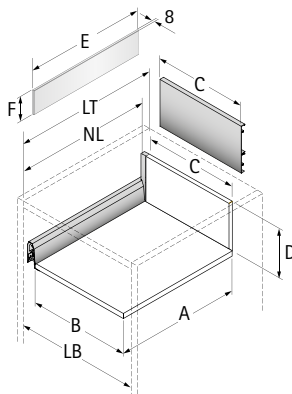


Actro Installed width

With 3 Actro installed widths (EB) to choose from, 3 different carcass side panel thicknesses (KD) can be accommodated – without having to change the drawer dimensions. The following dimensions apply:

KD mm	16	18	19
EB mm	15	13	12
Dimension A mm	23	21	20

Dimensions for cutting to size



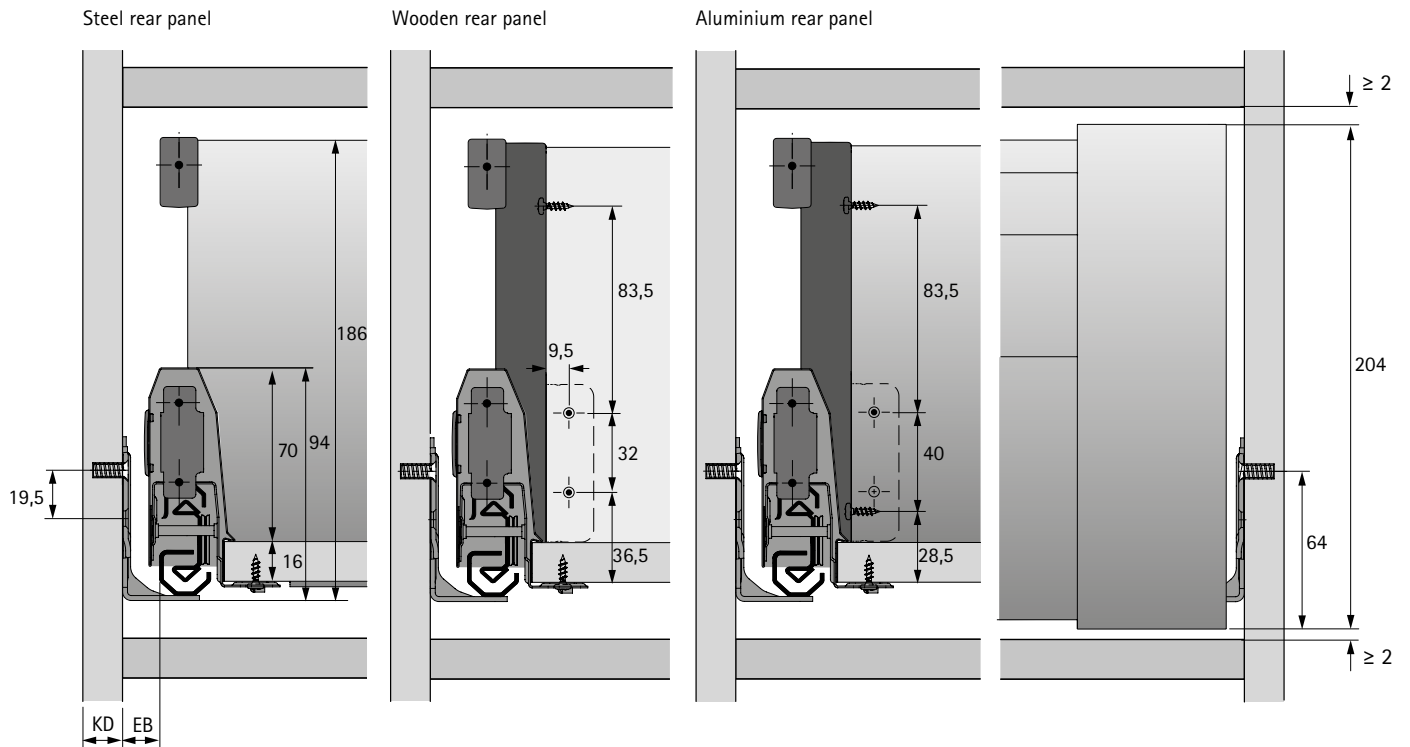
Dimension	Steel rear panel	Wooden rear panel	Aluminium rear panel
A	NL - 21	NL - 24.5	NL - 24.5
B	LB - 2 x EB - 52.5	LB - 2 x EB - 52.5	LB - 2 x EB - 52.5
C	-	LB - 2 x EB - 64	LB - 2 x EB - 64
D	-	176	-
E	NL - 46	NL - 46	NL - 46
F	89	89	89

ArciTech double walled drawer system



- ▶ Internal pot-and-pan drawer with railing, height 186 mm, drawer side profile height 94 mm
- ▶ Technical Information

Planning dimensions

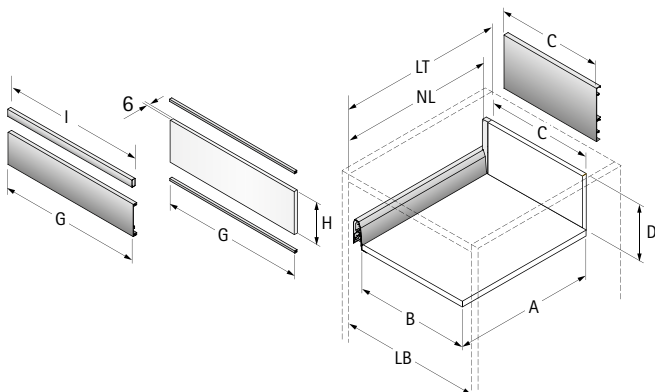


Actro Installed width

With 3 Actro installed widths (EB) to choose from, 3 different carcass side panel thicknesses (KD) can be accommodated – without having to change the drawer dimensions. The following dimensions apply:

KD mm	16	18	19
EB mm	15	13	12

Dimensions for cutting to size



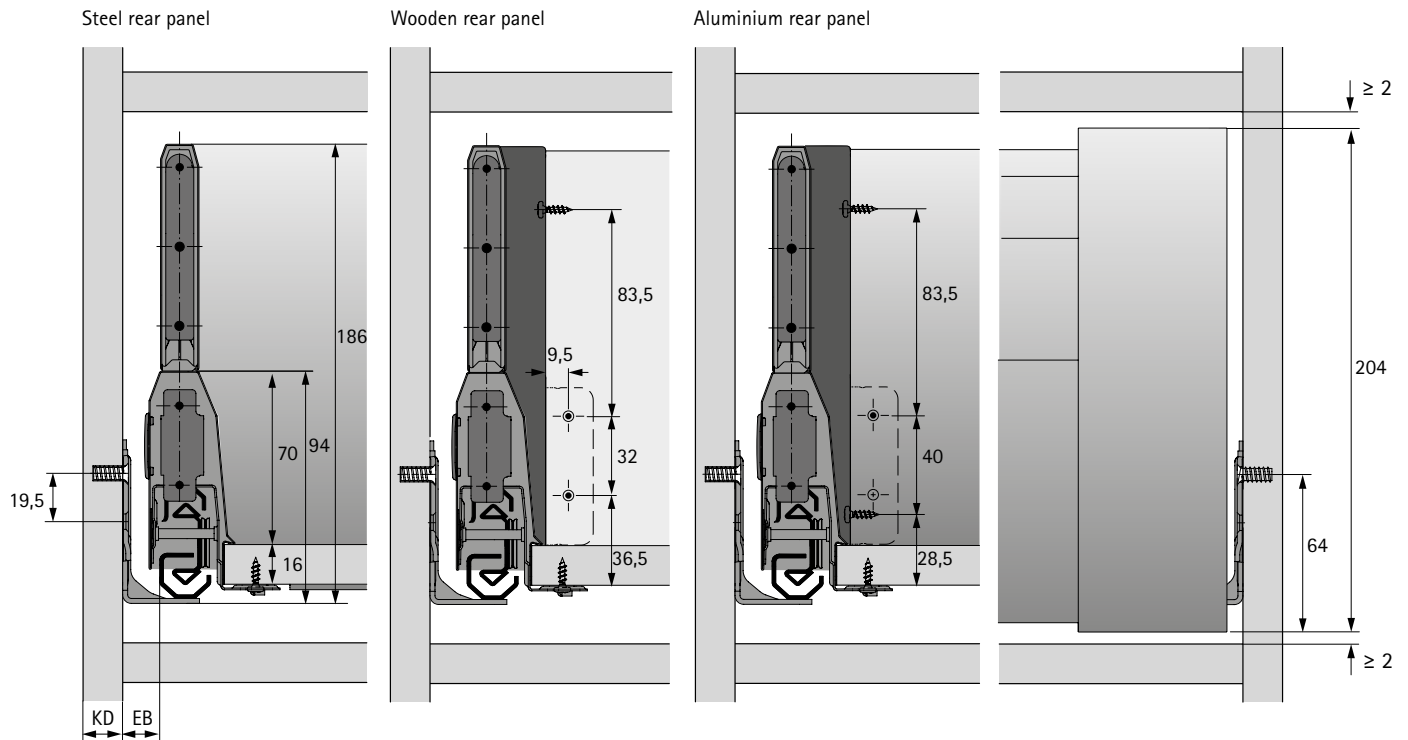
Dimension	Steel rear panel	Wooden rear panel	Aluminium rear panel
A	NL - 21	NL - 24.5	NL - 24.5
B	LB - 2 x EB - 52.5	LB - 2 x EB - 52.5	LB - 2 x EB - 52.5
C	-	LB - 2 x EB - 64	LB - 2 x EB - 64
D	-	176	-
G	LB - 2 x EB - 62	LB - 2 x EB - 62	LB - 2 x EB - 62
H	157	157	157
I	LB - 2 x EB - 66.5	LB - 2 x EB - 66.5	LB - 2 x EB - 66.5

ArciTech double walled drawer system



- ▶ Internal pot-and-pan drawer with DesignSide / TopSide, height 186 mm, side-profile height 94 mm
- ▶ Technical Information

Planning dimensions

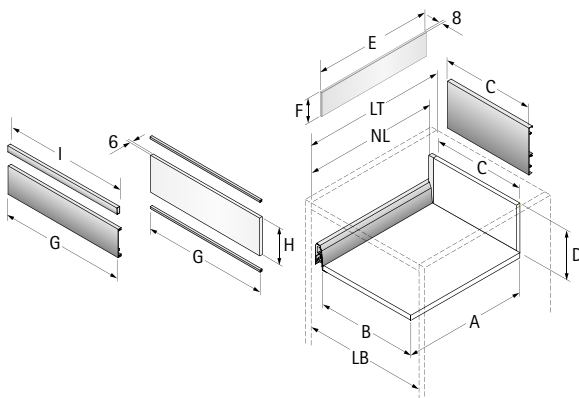


Actro Installed width

With 3 Actro installed widths (EB) to choose from, 3 different carcass side panel thicknesses (KD) can be accommodated – without having to change the drawer dimensions. The following dimensions apply:

KD mm	16	18	19
EB mm	15	13	12

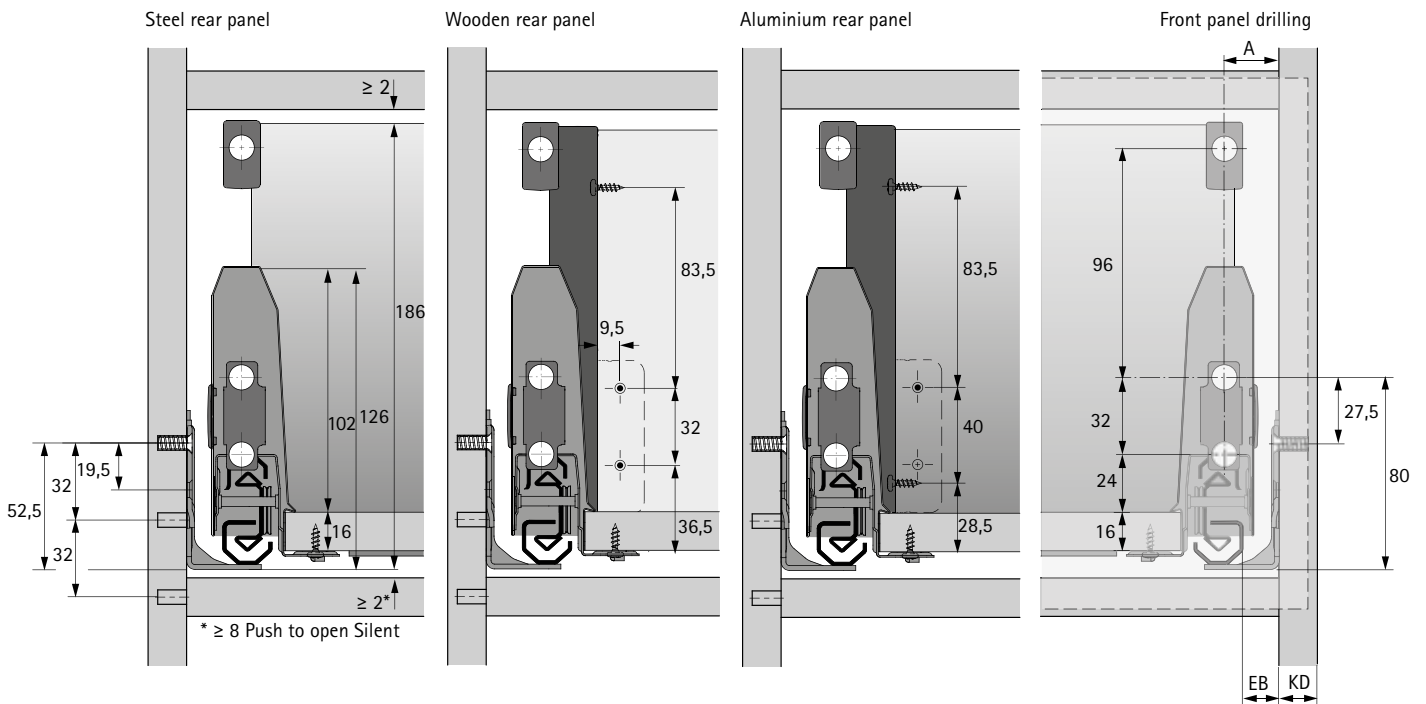
Dimensions for cutting to size



Dimension	Steel rear panel	Wooden rear panel	Aluminium rear panel
A	NL - 21	NL - 24.5	NL - 24.5
B	LB - 2 x EB - 52.5	LB - 2 x EB - 52.5	LB - 2 x EB - 52.5
C	-	LB - 2 x EB - 64	LB - 2 x EB - 64
D	-	176	-
E	NL - 46	NL - 46	NL - 46
F	89	89	89
G	LB - 2 x EB - 62	LB - 2 x EB - 62	LB - 2 x EB - 62
H	157	157	157
I	LB - 2 x EB - 66.5	LB - 2 x EB - 66.5	LB - 2 x EB - 66.5

- ▶ Pot-and-pan drawer with railing, height 186 mm, side profile height 126 mm
- ▶ Technical Information

Planning dimensions

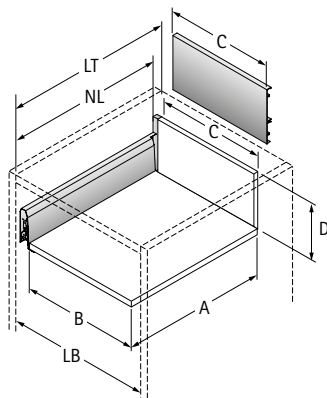


Actro Installed width

With 3 Actro installed widths (EB) to choose from, 3 different carcass side panel thicknesses (KD) can be accommodated – without having to change the drawer dimensions. The following dimensions apply:

KD mm	16	18	19
EB mm	15	13	12
Dimension A mm	23	21	20

Dimensions for cutting to size



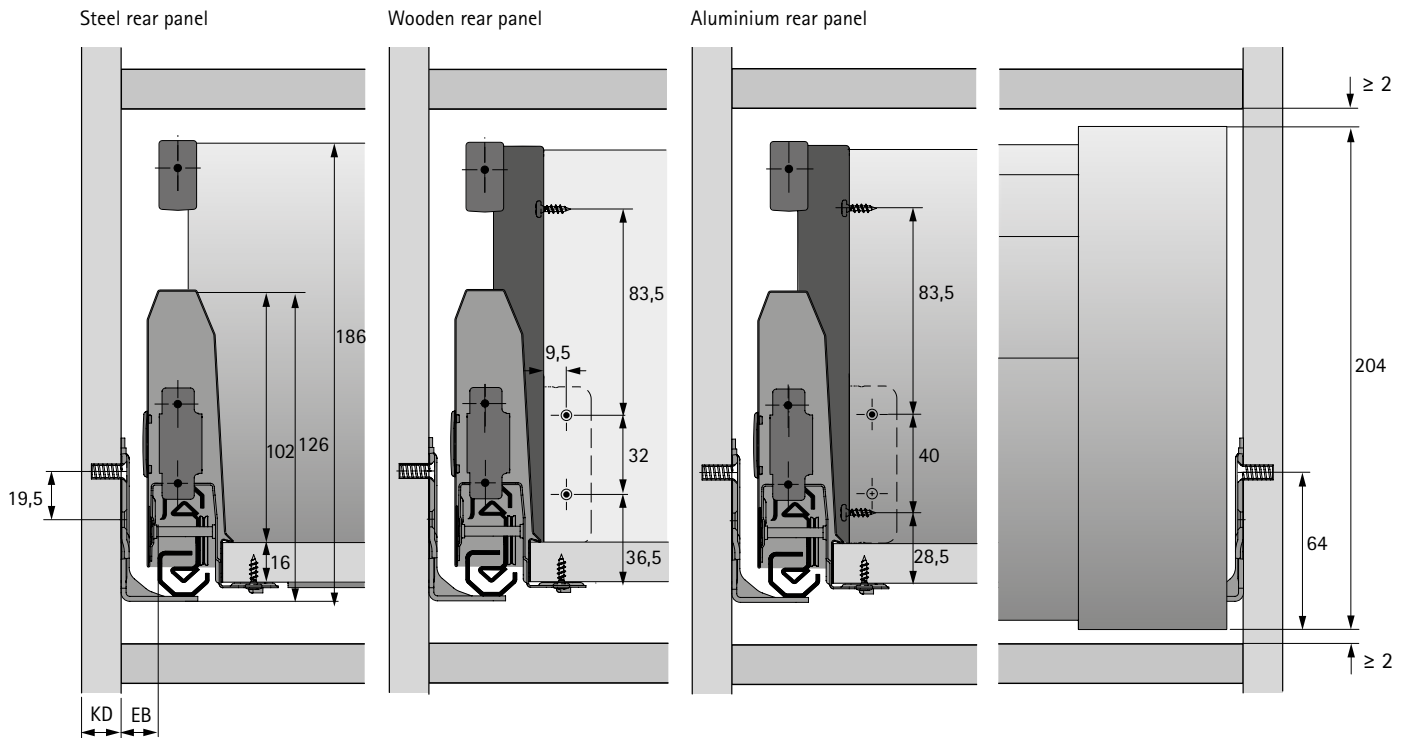
Dimension	Steel rear panel	Wooden rear panel	Aluminium rear panel
A	NL - 21	NL - 24.5	NL - 24.5
B	LB - 2 x EB - 52.5	LB - 2 x EB - 52.5	LB - 2 x EB - 52.5
C	-	LB - 2 x EB - 64	LB - 2 x EB - 64
D	-	176	-

ArciTech double walled drawer system



- ▶ Internal pot-and-pan drawer with railing, height 186 mm, drawer side profile height 126 mm
- ▶ Technical Information

Planning dimensions

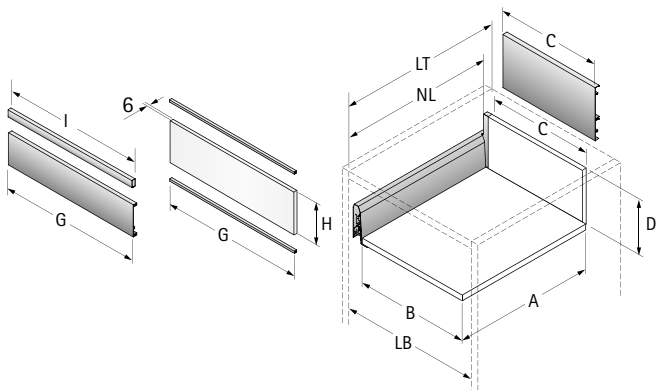


Actro Installed width

With 3 Actro installed widths (EB) to choose from, 3 different carcass side panel thicknesses (KD) can be accommodated – without having to change the drawer dimensions. The following dimensions apply:

KD mm	16	18	19
EB mm	15	13	12

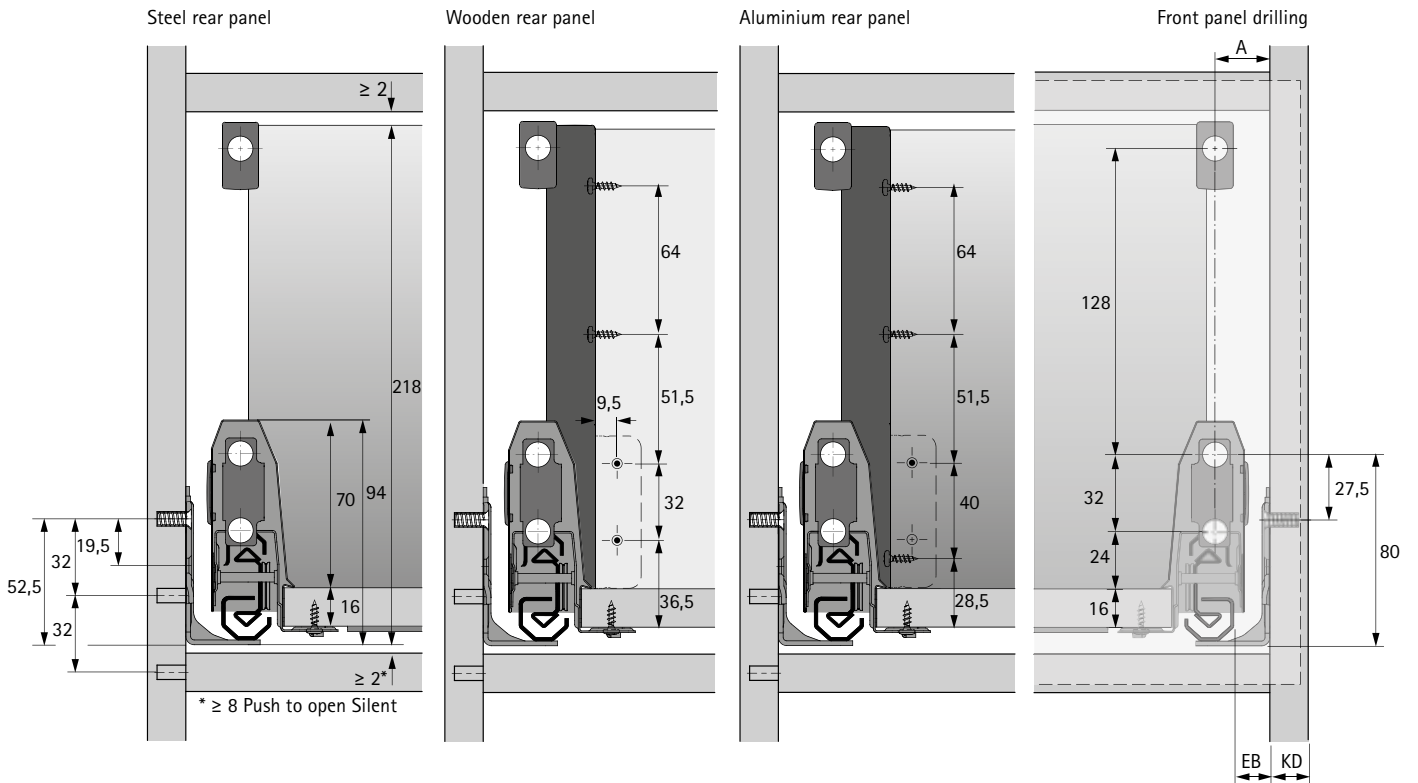
Dimensions for cutting to size



Dimension	Steel rear panel	Wooden rear panel	Aluminium rear panel
A	NL - 21	NL - 24.5	NL - 24.5
B	LB - 2 x EB - 52.5	LB - 2 x EB - 52.5	LB - 2 x EB - 52.5
C	-	LB - 2 x EB - 64	LB - 2 x EB - 64
D	-	176	-
G	LB - 2 x EB - 62	LB - 2 x EB - 62	LB - 2 x EB - 62
H	157	157	157
I	LB - 2 x EB - 66.5	LB - 2 x EB - 66.5	LB - 2 x EB - 66.5

- ▶ Pot-and-pan drawer with railing, height 218 mm, side profile height 94 mm
- ▶ Technical Information

Planning dimensions



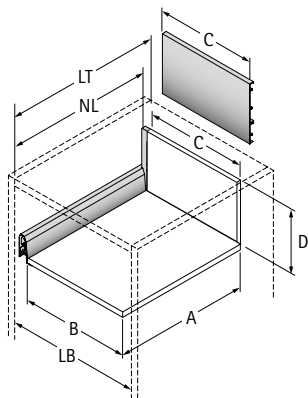
A second railing can be installed at a space of 64 mm below the upper railing.

Actro Installed width

With 3 Actro installed widths (EB) to choose from, 3 different carcass side panel thicknesses (KD) can be accommodated – without having to change the drawer dimensions. The following dimensions apply:

KD mm	16	18	19
EB mm	15	13	12
Dimension A mm	23	21	20

Dimensions for cutting to size



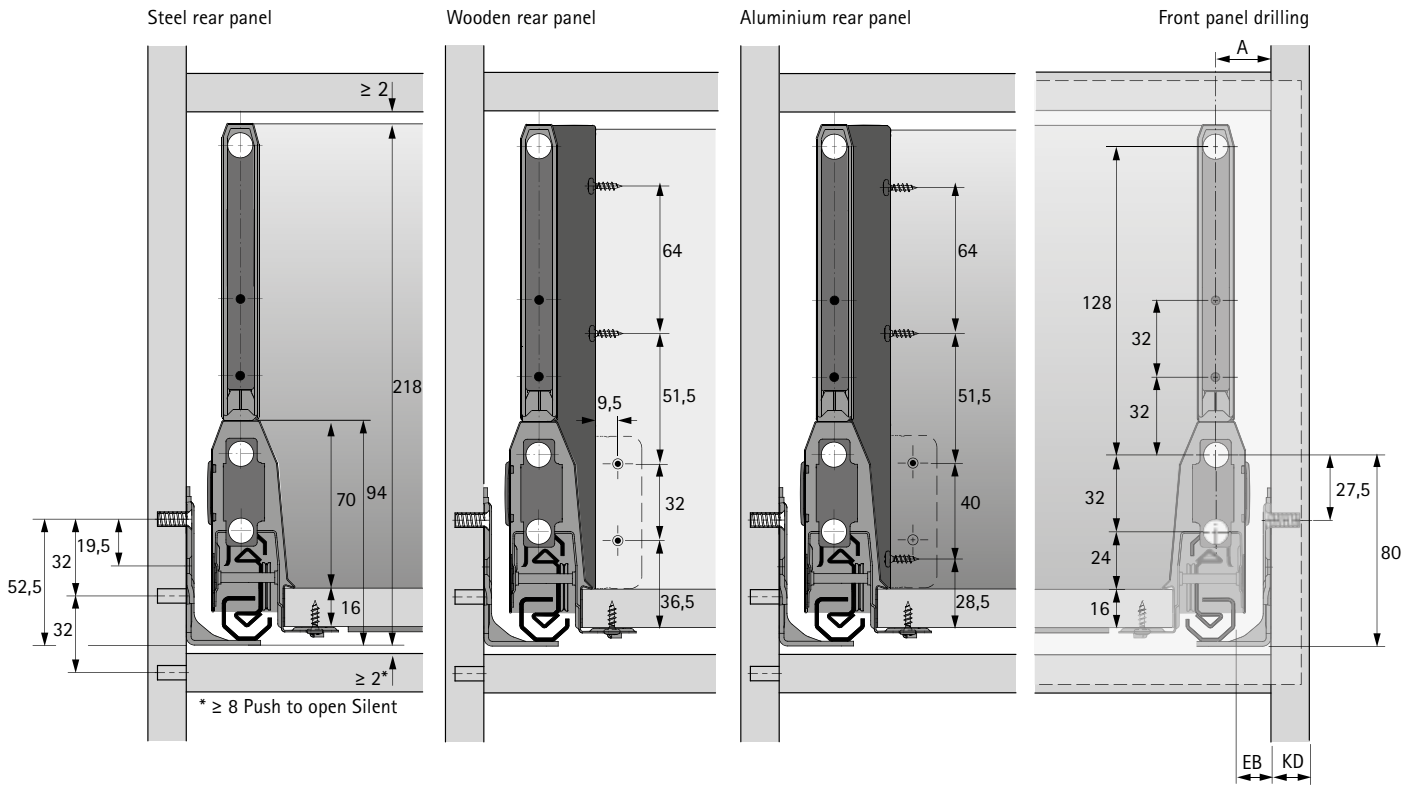
Dimension	Steel rear panel	Wooden rear panel	Aluminium rear panel
A	NL - 21	NL - 24.5	NL - 24.5
B	LB - 2 x EB - 52.5	LB - 2 x EB - 52.5	LB - 2 x EB - 52.5
C	-	LB - 2 x EB - 64	LB - 2 x EB - 64
D	-	208	-

ArciTech double walled drawer system



- ▶ Pot-and-pan drawer with DesignSide / TopSide, height 218 mm, drawer side profile height 94 mm
- ▶ Technical Information

Planning dimensions

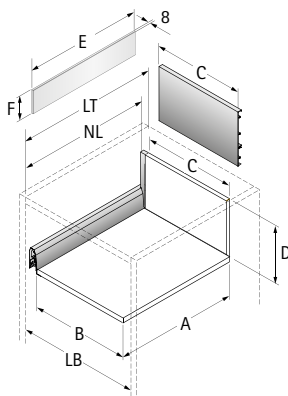


Actro Installed width

With 3 Actro installed widths (EB) to choose from, 3 different carcass side panel thicknesses (KD) can be accommodated – without having to change the drawer dimensions. The following dimensions apply:

KD mm	16	18	19
EB mm	15	13	12
Dimension A mm	23	21	20

Dimensions for cutting to size



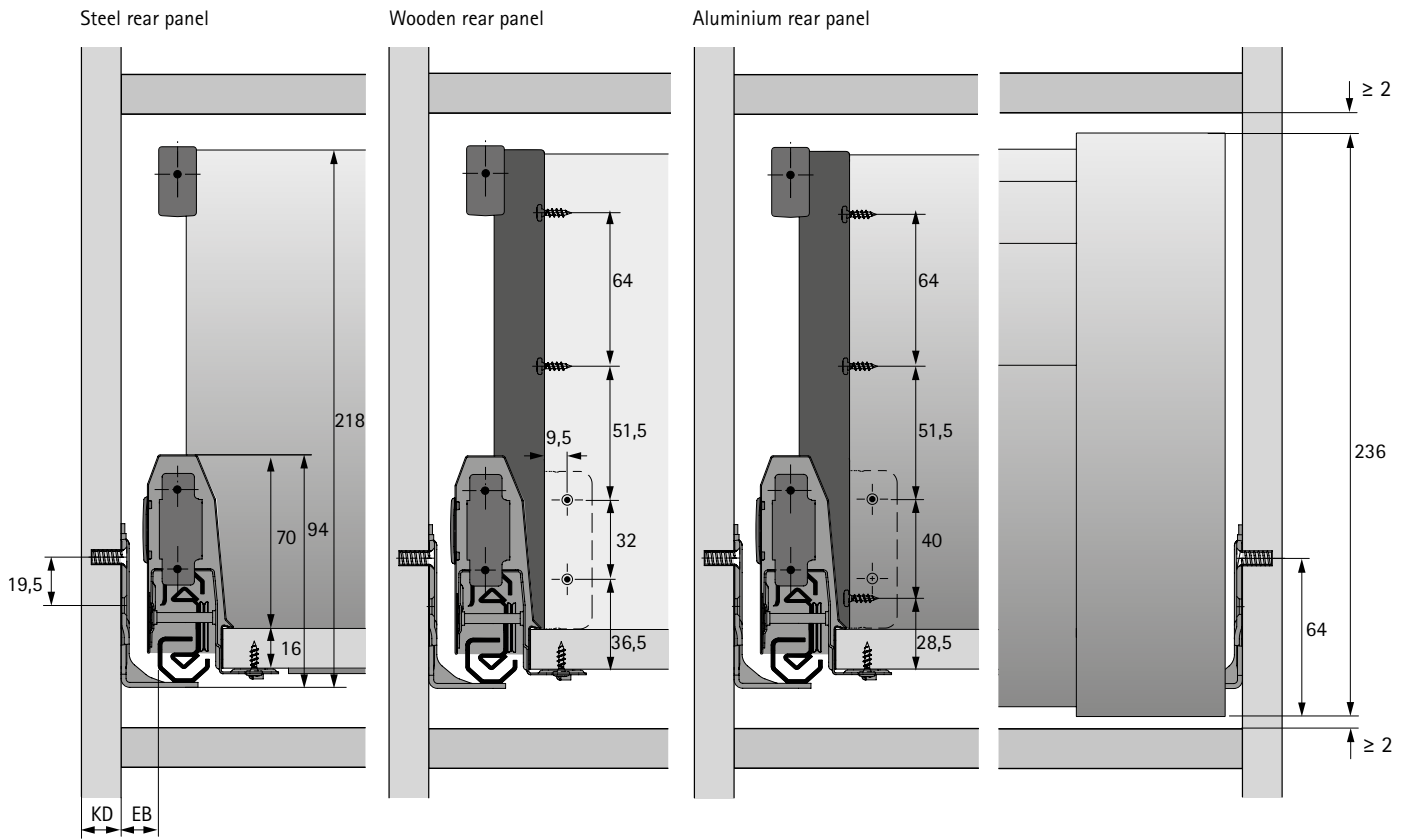
Dimension	Steel rear panel	Wooden rear panel	Aluminium rear panel
A	NL - 21	NL - 24.5	NL - 24.5
B	LB - 2 x EB - 52.5	LB - 2 x EB - 52.5	LB - 2 x EB - 52.5
C	-	LB - 2 x EB - 64	LB - 2 x EB - 64
D	-	208	-
E	NL - 46	NL - 46	NL - 46
F	121	121	121

ArciTech double walled drawer system



- ▶ Internal pot-and-pan drawer with railing, height 218 mm, drawer side profile height 94 mm
- ▶ Technical Information

Planning dimensions

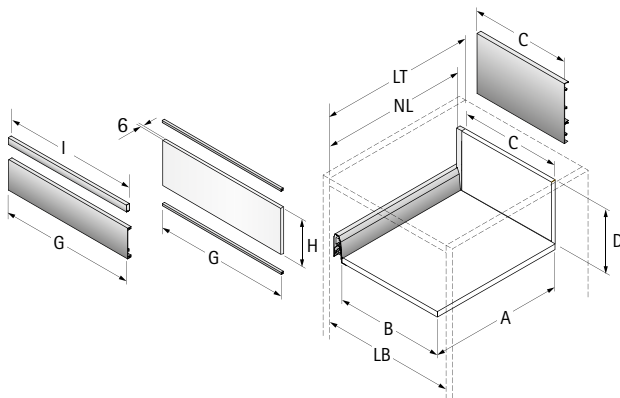


Actro Installed width

With 3 Actro installed widths (EB) to choose from, 3 different carcass side panel thicknesses (KD) can be accommodated – without having to change the drawer dimensions. The following dimensions apply:

KD mm	16	18	19
EB mm	15	13	12

Dimensions for cutting to size



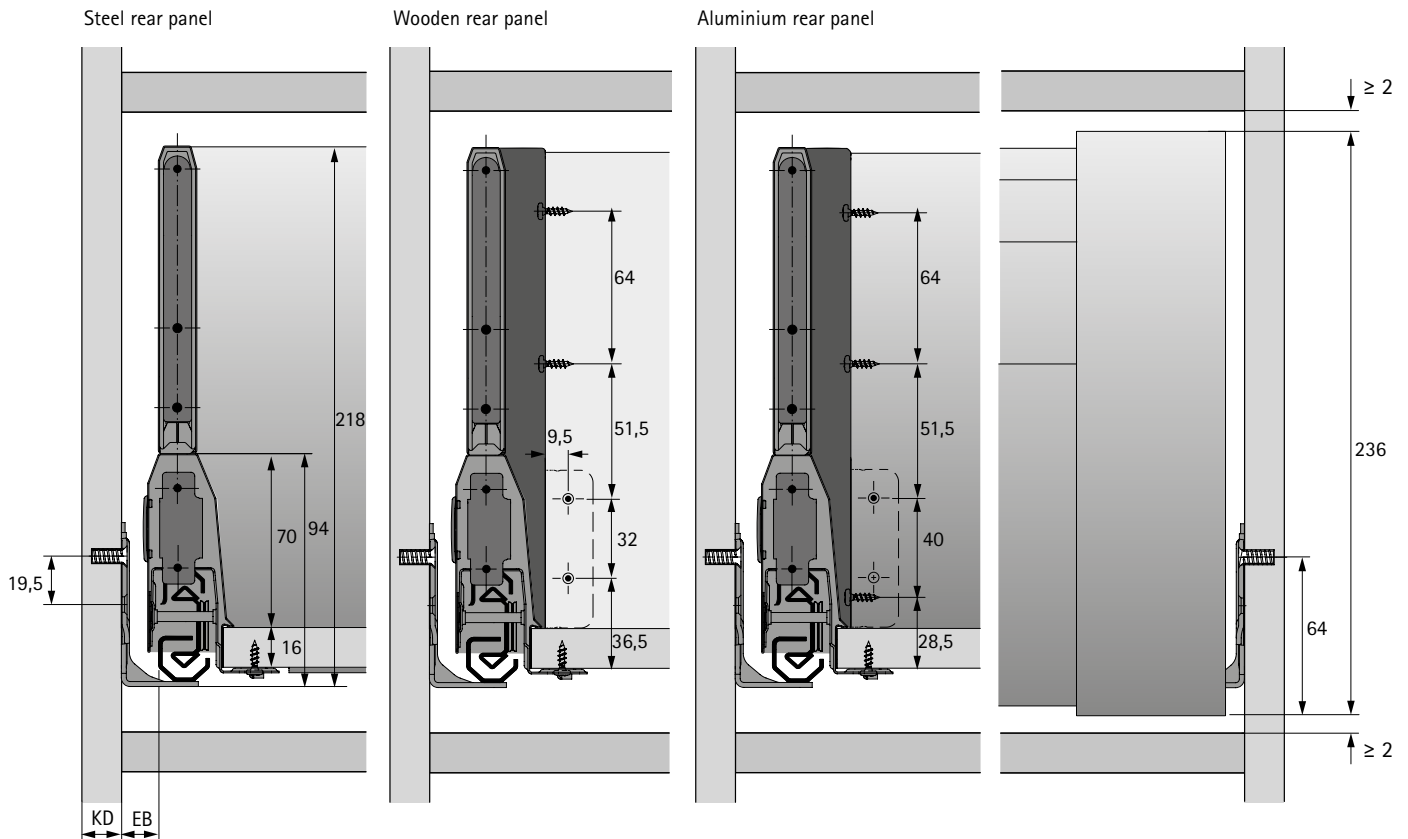
Dimension	Steel rear panel	Wooden rear panel	Aluminium rear panel
A	NL - 21	NL - 24.5	NL - 24.5
B	LB - 2 x EB - 52.5	LB - 2 x EB - 52.5	LB - 2 x EB - 52.5
C	-	LB - 2 x EB - 64	LB - 2 x EB - 64
D	-	208	-
G	LB - 2 x EB - 62	LB - 2 x EB - 62	LB - 2 x EB - 62
H	157	157	157
I	LB - 2 x EB - 66.5	LB - 2 x EB - 66.5	LB - 2 x EB - 66.5

ArciTech double walled drawer system



- ▶ Internal pot-and-pan drawer with DesignSide / TopSide, height 218 mm, drawer side profile height 94 mm
- ▶ Technical Information

Planning dimensions

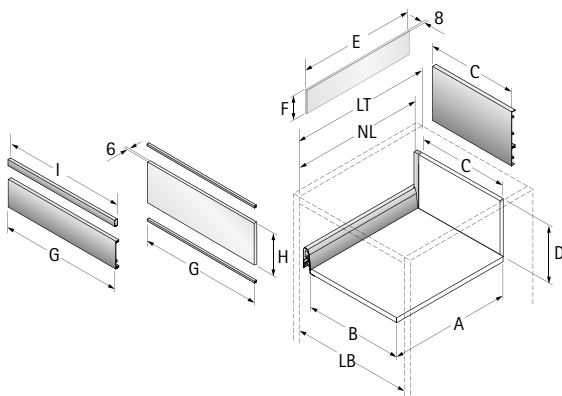


Actro Installed width

With 3 Actro installed widths (EB) to choose from, 3 different carcass side panel thicknesses (KD) can be accommodated – without having to change the drawer dimensions. The following dimensions apply:

KD mm	16	18	19
EB mm	15	13	12

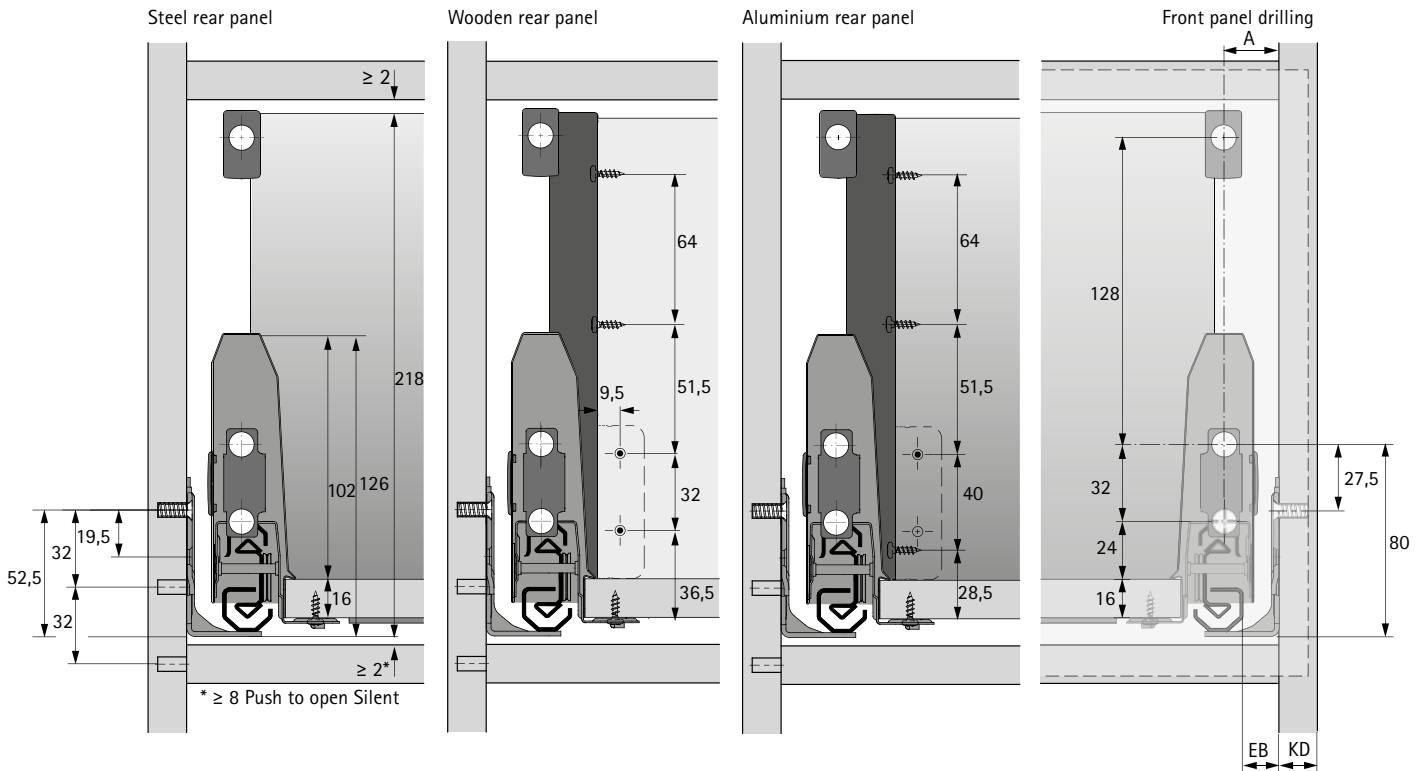
Dimensions for cutting to size



Dimension	Steel rear panel	Wooden rear panel	Aluminium rear panel
A	NL - 21	NL - 24.5	NL - 24.5
B	LB - 2 x EB - 52.5	LB - 2 x EB - 52.5	LB - 2 x EB - 52.5
C	-	LB - 2 x EB - 64	LB - 2 x EB - 64
D	-	208	-
E	NL - 46	NL - 46	NL - 46
F	121	121	121
G	LB - 2 x EB - 62	LB - 2 x EB - 62	LB - 2 x EB - 62
H	157	157	157
I	LB - 2 x EB - 66.5	LB - 2 x EB - 66.5	LB - 2 x EB - 66.5

- ▶ Pot-and-pan drawer with railing, height 218 mm, side profile height 126 mm
- ▶ Technical Information

Planning dimensions

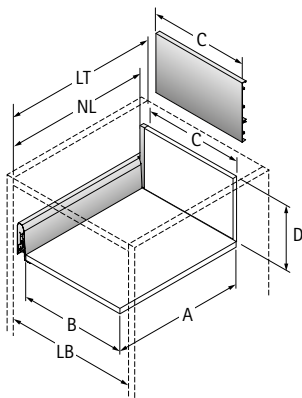


Actro Installed width

With 3 Actro installed widths (EB) to choose from, 3 different carcass side panel thicknesses (KD) can be accommodated – without having to change the drawer dimensions. The following dimensions apply:

KD mm	16	18	19
EB mm	15	13	12
Dimension A mm	23	21	20

Dimensions for cutting to size



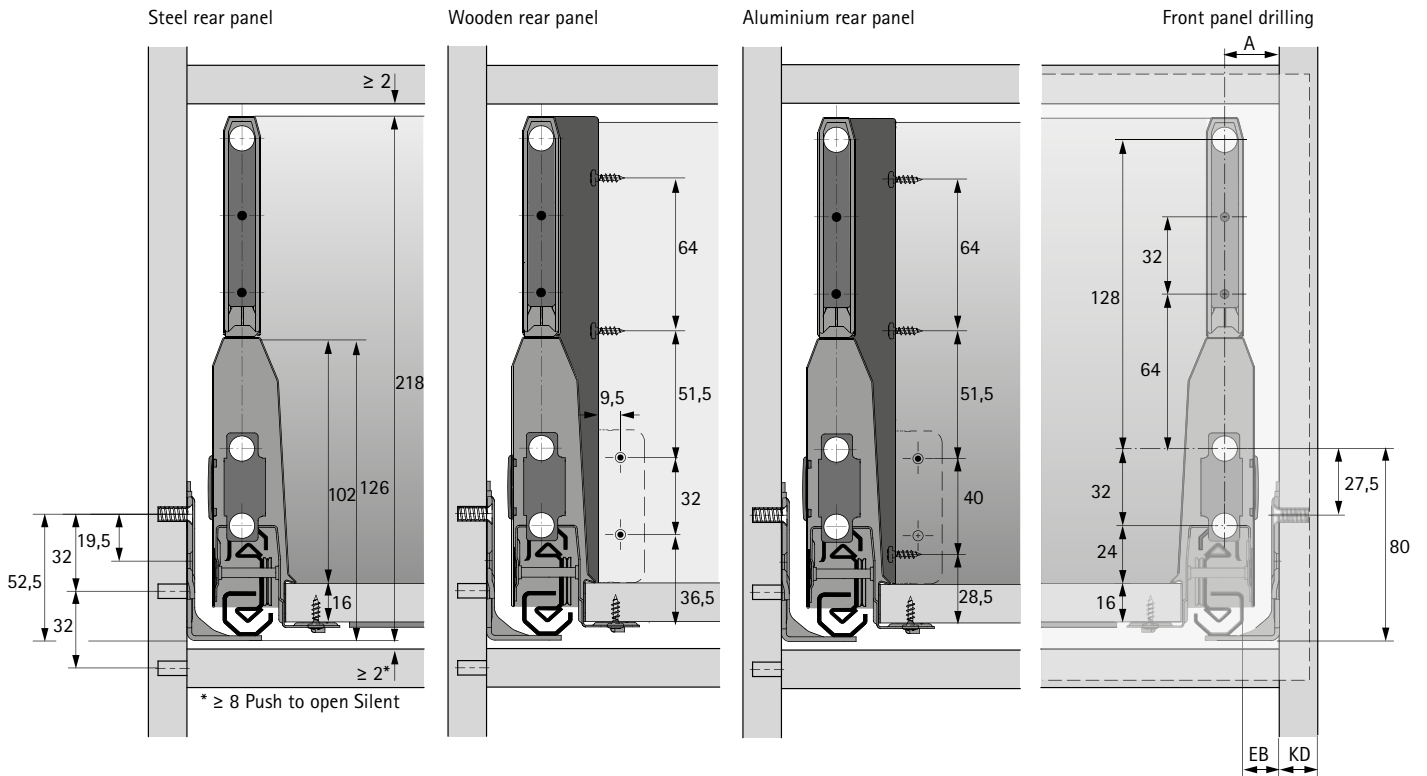
Dimension	Steel rear panel	Wooden rear panel	Aluminium rear panel
A	NL - 21	NL - 24.5	NL - 24.5
B	LB - 2 x EB - 52.5	LB - 2 x EB - 52.5	LB - 2 x EB - 52.5
C	-	LB - 2 x EB - 64	LB - 2 x EB - 64
D	-	208	-

ArciTech double walled drawer system



- ▶ Pot-and-pan drawer with DesignSide / TopSide, height 218 mm, drawer side profile height 126 mm
- ▶ Technical Information

Planning dimensions

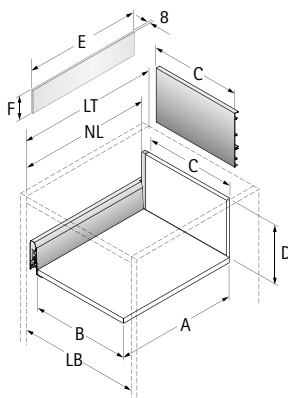


Actro Installed width

With 3 Actro installed widths (EB) to choose from, 3 different carcass side panel thicknesses (KD) can be accommodated – without having to change the drawer dimensions. The following dimensions apply:

KD mm	16	18	19
EB mm	15	13	12
Dimension A mm	23	21	20

Dimensions for cutting to size



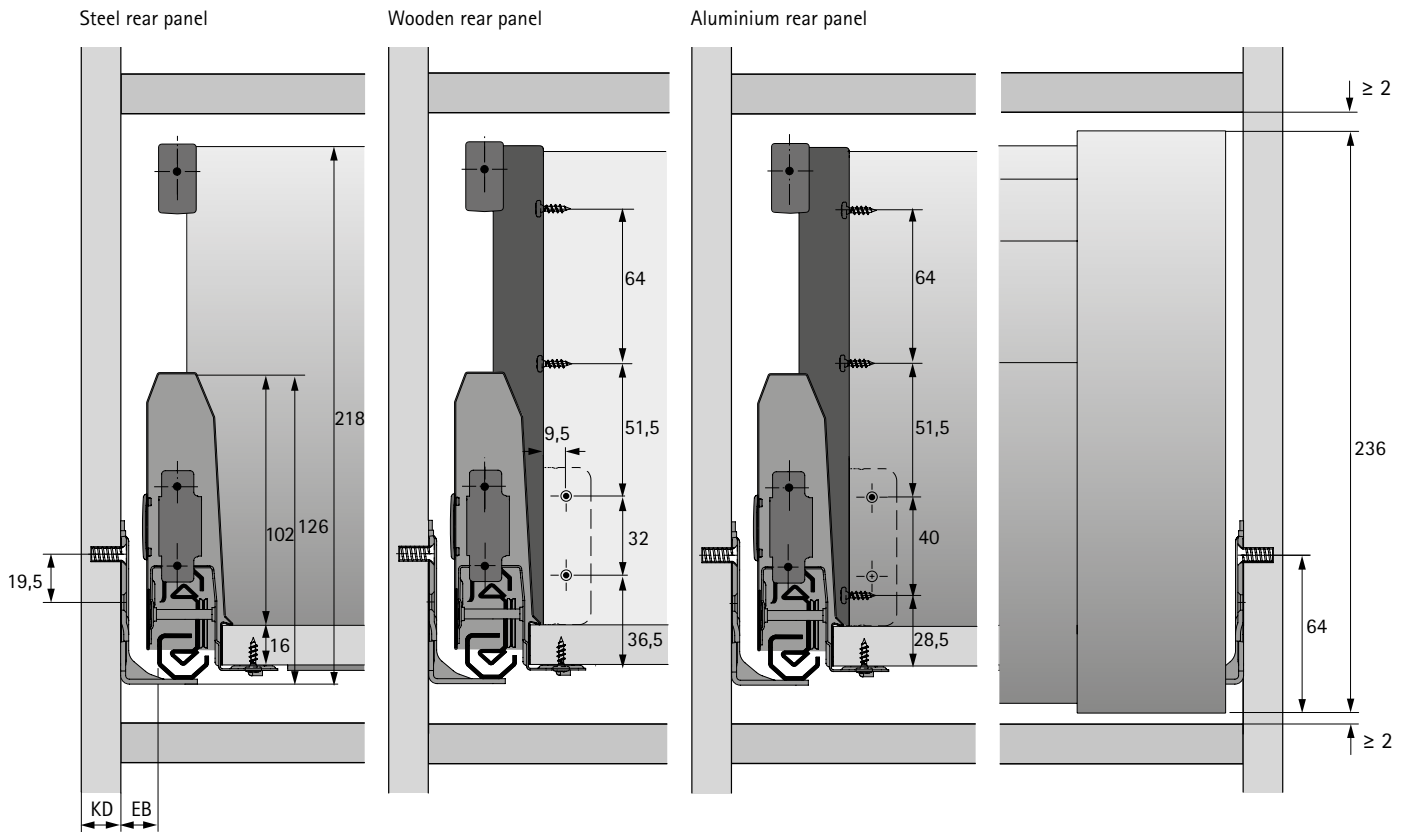
Dimension	Steel rear panel	Wooden rear panel	Aluminium rear panel
A	NL - 21	NL - 24.5	NL - 24.5
B	LB - 2 x EB - 52.5	LB - 2 x EB - 52.5	LB - 2 x EB - 52.5
C	-	LB - 2 x EB - 64	LB - 2 x EB - 64
D	-	208	-
E	NL - 46	NL - 46	NL - 46
F	89	89	89

ArciTech double walled drawer system



- ▶ Internal pot-and-pan drawer with railing, height 218 mm, drawer side profile height 126 mm
- ▶ Technical Information

Planning dimensions

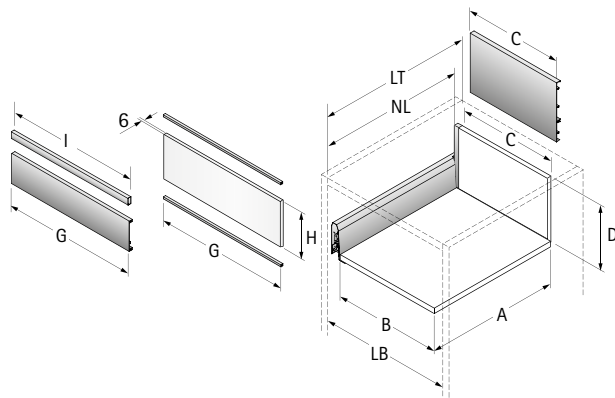


Actro Installed width

With 3 Actro installed widths (EB) to choose from, 3 different carcass side panel thicknesses (KD) can be accommodated – without having to change the drawer dimensions. The following dimensions apply:

KD mm	16	18	19
EB mm	15	13	12

Dimensions for cutting to size



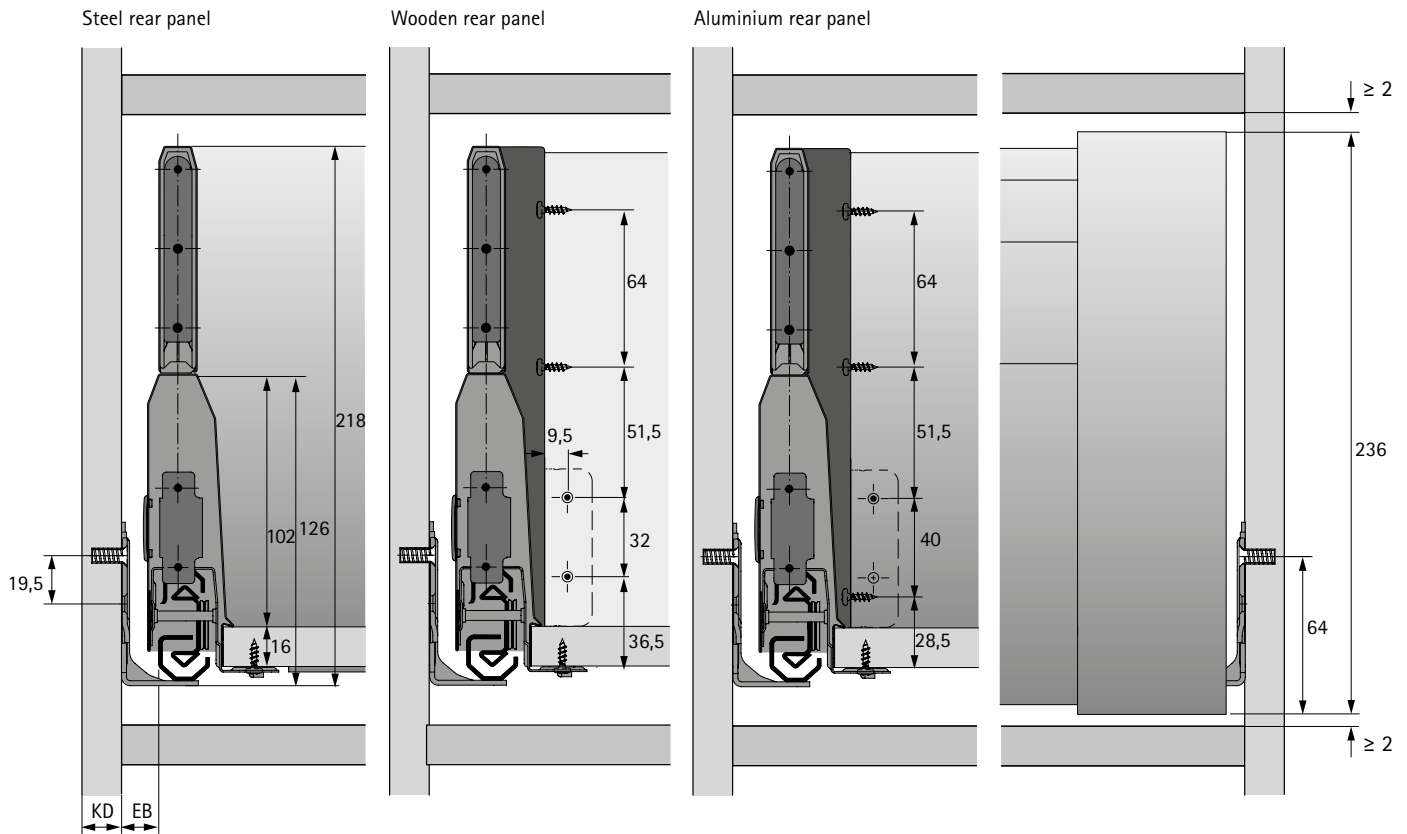
Dimension	Steel rear panel	Wooden rear panel	Aluminium rear panel
A	NL - 21	NL - 24.5	NL - 24.5
B	LB - 2 x EB - 52.5	LB - 2 x EB - 52.5	LB - 2 x EB - 52.5
C	-	LB - 2 x EB - 64	LB - 2 x EB - 64
D	-	208	-
G	LB - 2 x EB - 62	LB - 2 x EB - 62	LB - 2 x EB - 62
H	157	157	157
I	LB - 2 x EB - 66.5	LB - 2 x EB - 66.5	LB - 2 x EB - 66.5

ArciTech double walled drawer system



- ▶ Internal pot-and-pan drawer with DesignSide / TopSide, height 218 mm, side profile height 126 mm
- ▶ Technical Information

Planning dimensions

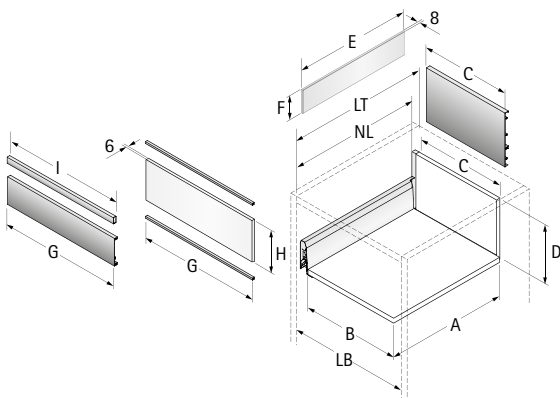


Actro Installed width

With 3 Actro installed widths (EB) to choose from, 3 different carcass side panel thicknesses (KD) can be accommodated – without having to change the drawer dimensions. The following dimensions apply:

KD mm	16	18	19
EB mm	15	13	12

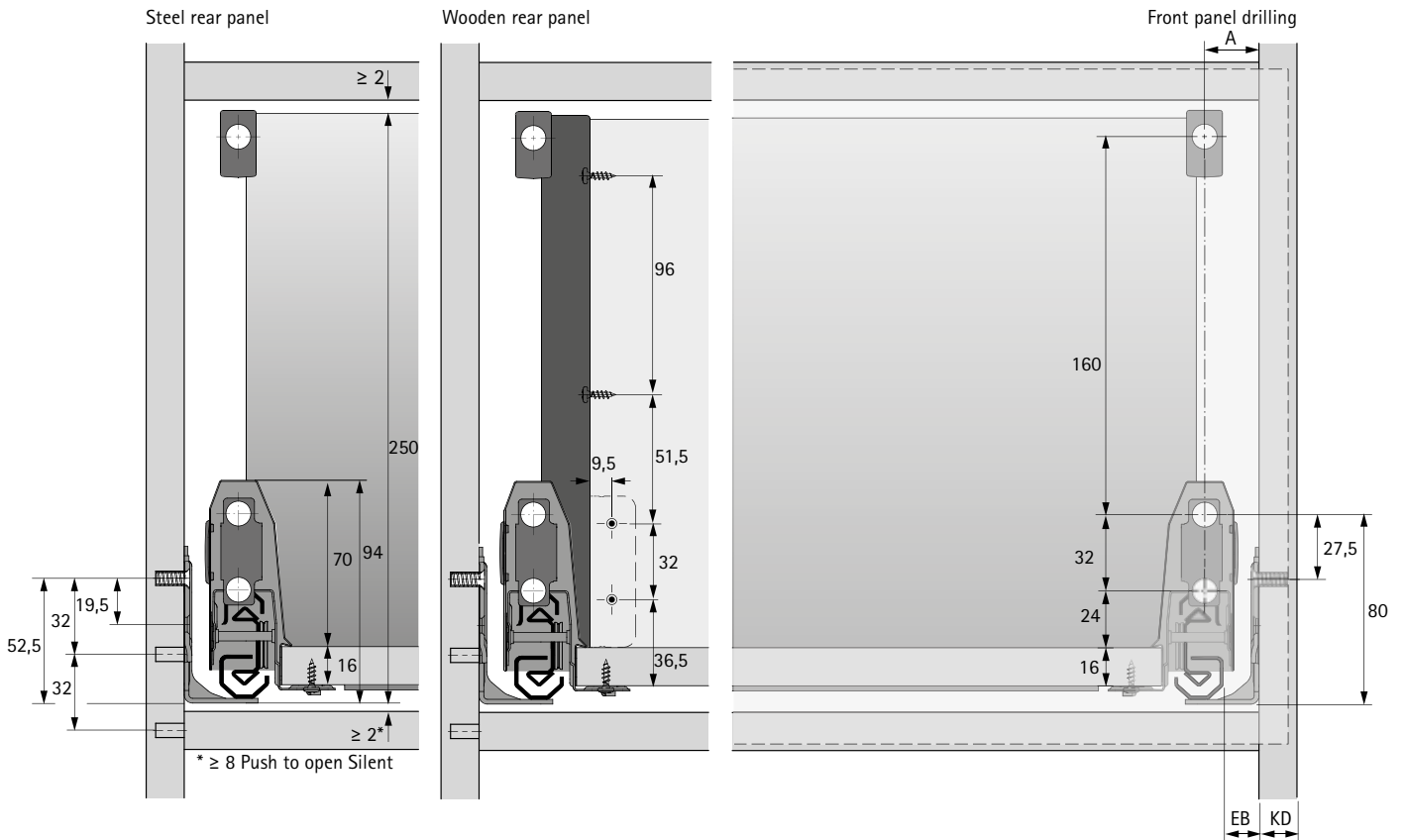
Dimensions for cutting to size



Dimension	Steel rear panel	Wooden rear panel	Aluminium rear panel
A	NL - 21	NL - 24.5	NL - 24.5
B	LB - 2 x EB - 52.5	LB - 2 x EB - 52.5	LB - 2 x EB - 52.5
C	-	LB - 2 x EB - 64	LB - 2 x EB - 64
D	-	208	-
E	NL - 46	NL - 46	NL - 46
F	89	89	89
G	LB - 2 x EB - 62	LB - 2 x EB - 62	LB - 2 x EB - 62
H	157	157	157
I	LB - 2 x EB - 66.5	LB - 2 x EB - 66.5	LB - 2 x EB - 66.5

- ▶ Pot-and-pan drawer with railing, height 250 mm, side profile height 94 mm
- ▶ Technical Information

Planning dimensions



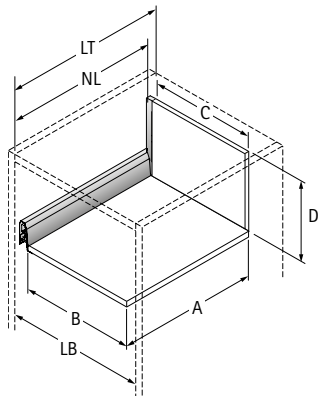
A second railing can be installed at a space of 64 mm below the upper railing.

Actro Installed width

With 3 Actro installed widths (EB) to choose from, 3 different carcass side panel thicknesses (KD) can be accommodated – without having to change the drawer dimensions. The following dimensions apply:

KD mm	16	18	19
EB mm	15	13	12
Dimension A mm	23	21	20

Dimensions for cutting to size



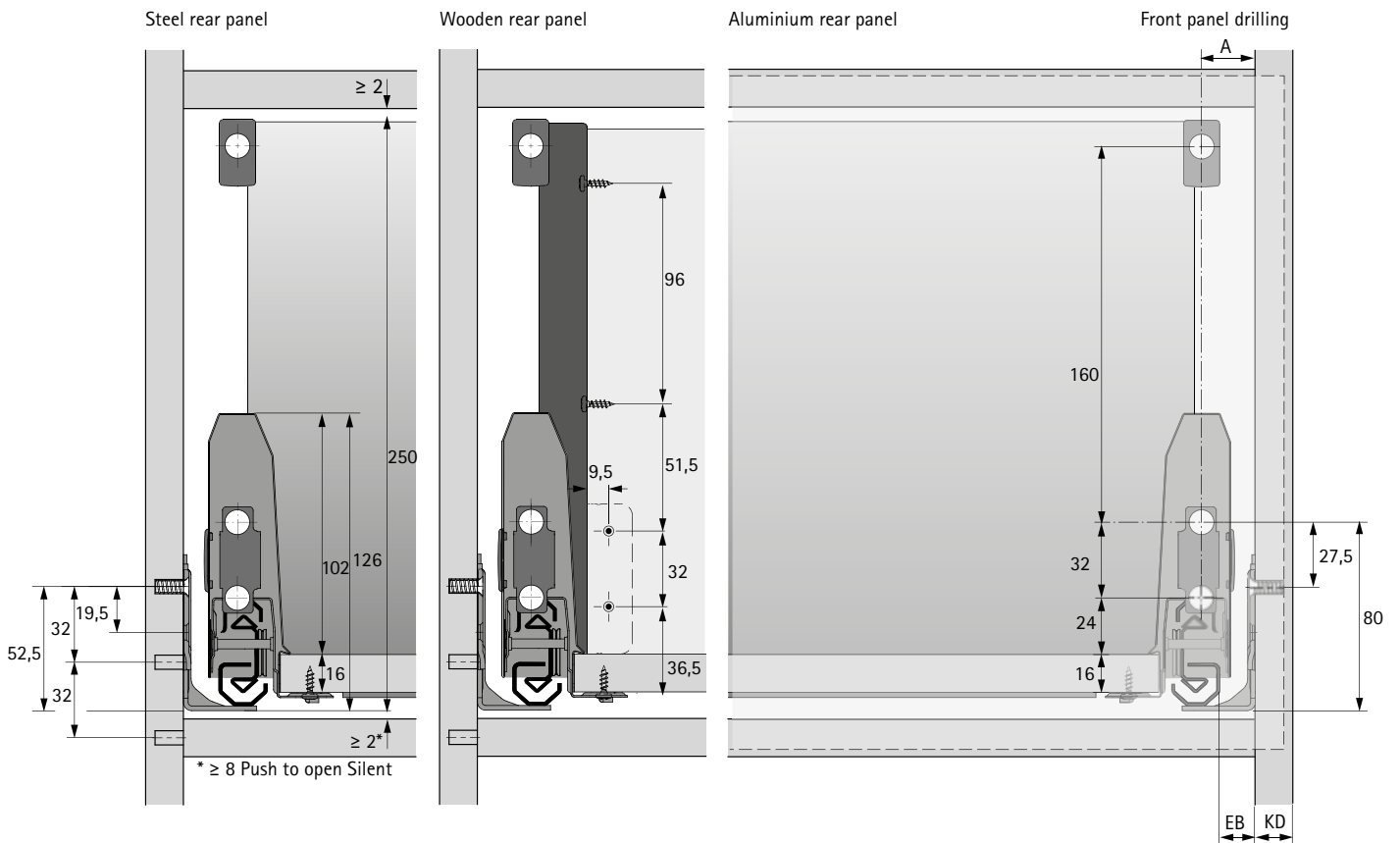
Dimension	Steel rear panel	Wooden rear panel
A	NL - 21	NL - 24.5
B	LB - 2 x EB - 52.5	LB - 2 x EB - 52.5
C	-	LB - 2 x EB - 64
D	-	240

ArciTech double walled drawer system



- ▶ Pot-and-pan drawer with railing, height 250 mm, side profile height 126 mm
- ▶ Technical Information

Planning dimensions



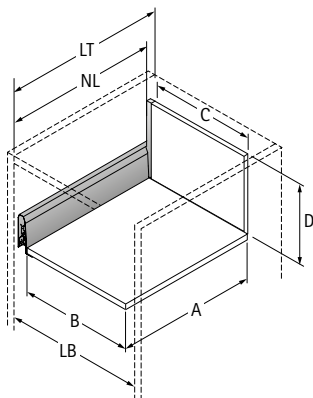
A second railing can be installed at a space of 64 mm below the upper railing.

Actro Installed width

With 3 Actro installed widths (EB) to choose from, 3 different carcass side panel thicknesses (KD) can be accommodated – without having to change the drawer dimensions. The following dimensions apply:

KD mm	16	18	19
EB mm	15	13	12
Dimension A mm	23	21	20

Dimensions for cutting to size



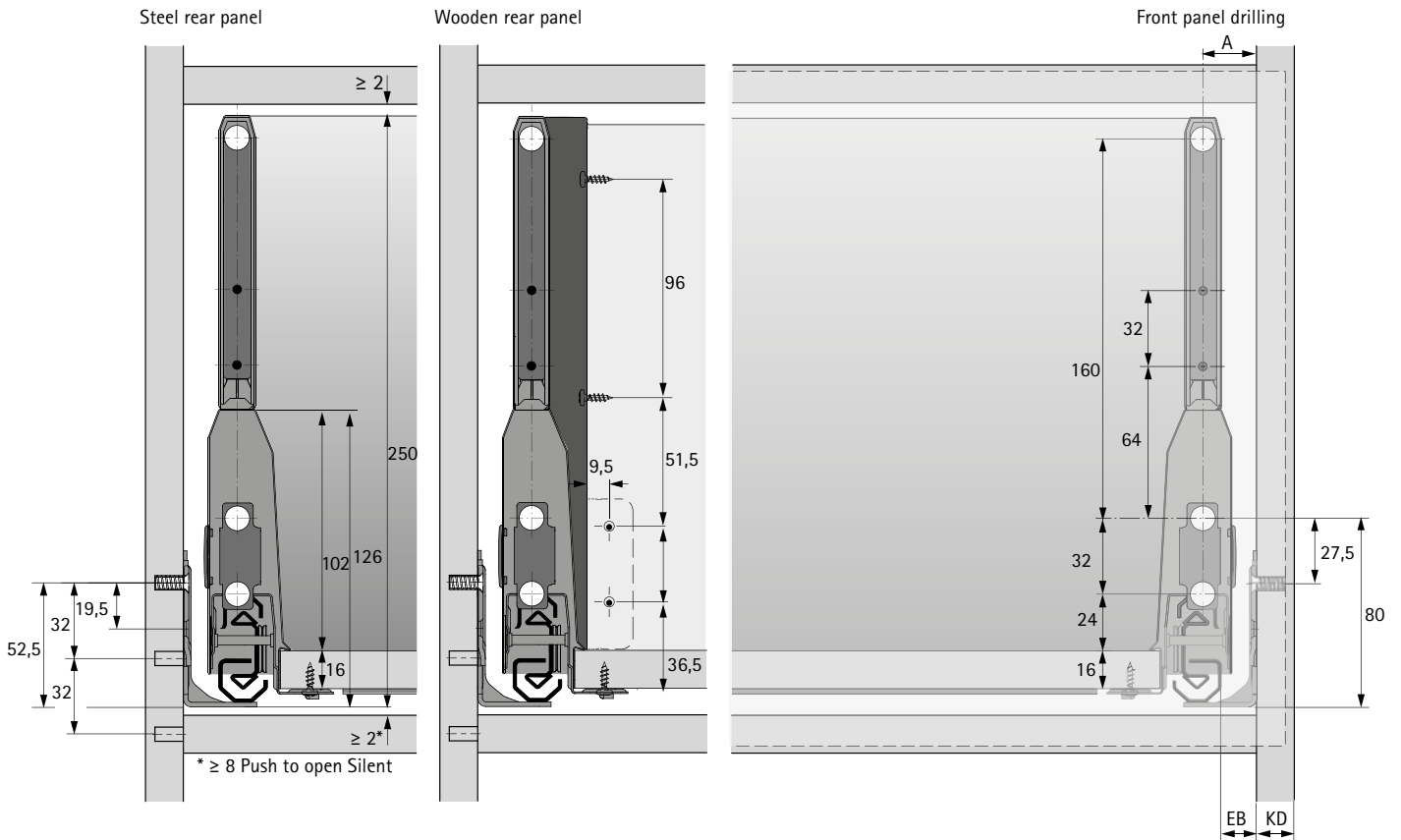
Dimension	Steel rear panel	Wooden rear panel
A	NL - 21	NL - 24.5
B	LB - 2 x EB - 52.5	LB - 2 x EB - 52.5
C	-	LB - 2 x EB - 64
D	-	240

ArciTech double walled drawer system



- ▶ Pot-and-pan drawer with DesignSide / TopSide, height 250 mm, drawer side profile height 126 mm
- ▶ Technical Information

Planning dimensions

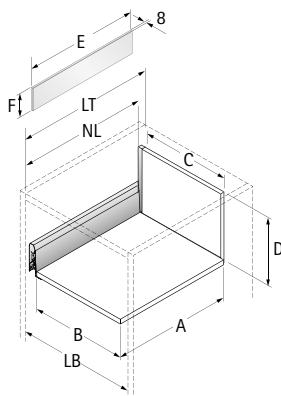


Actro Installed width

With 3 Actro installed widths (EB) to choose from, 3 different carcass side panel thicknesses (KD) can be accommodated – without having to change the drawer dimensions. The following dimensions apply:

KD mm	16	18	19
EB mm	15	13	12
Dimension A mm	23	21	20

Dimensions for cutting to size



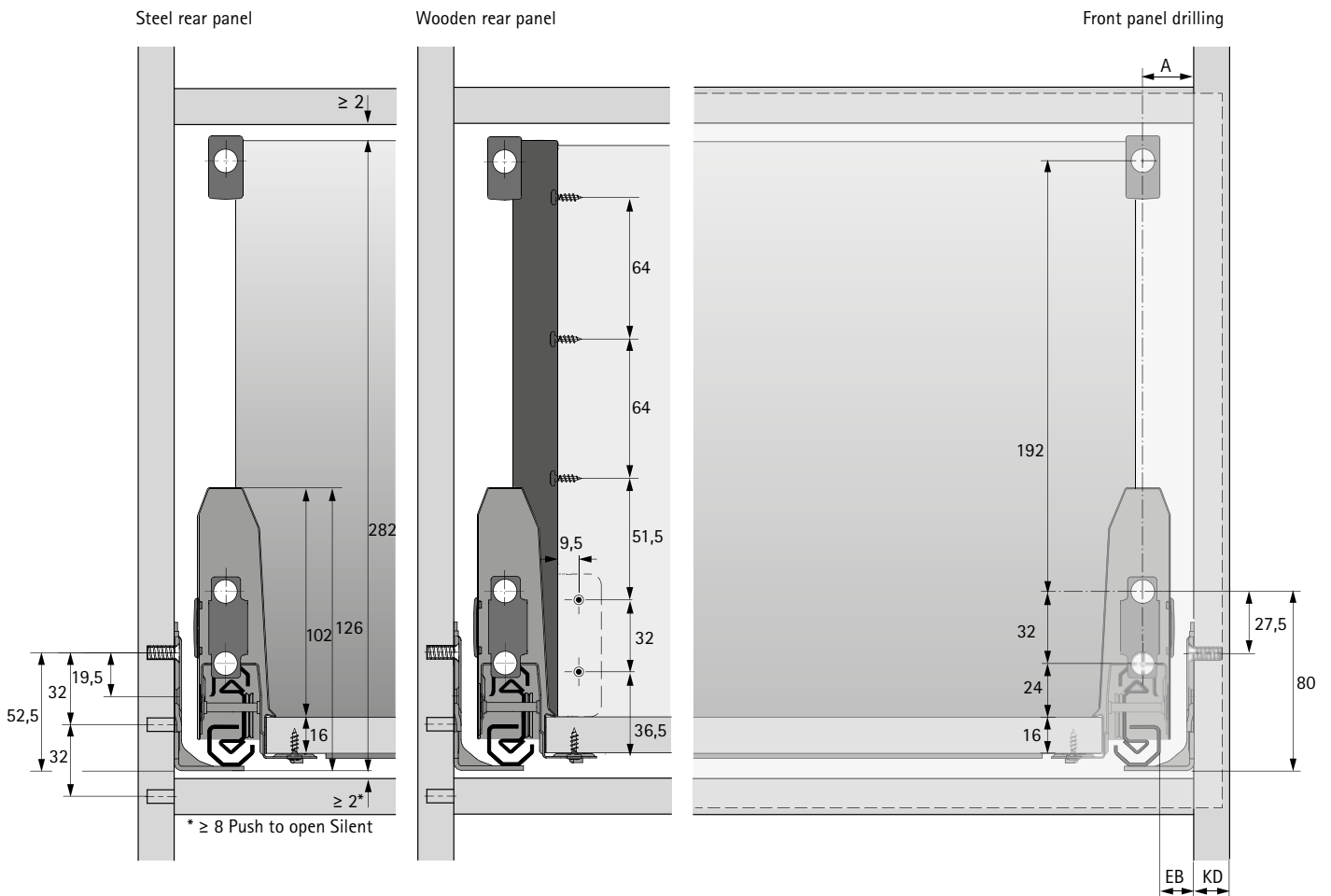
Dimension	Steel rear panel	Wooden rear panel
A	NL - 21	NL - 24.5
B	LB - 2 x EB - 52.5	LB - 2 x EB - 52.5
C	-	LB - 2 x EB - 64
D	-	240
E	NL - 46	NL - 46
F	121	121

ArciTech double walled drawer system



- ▶ Pot-and-pan drawer with railing, height 282 mm, side profile height 126 mm
- ▶ Technical Information

Planning dimensions



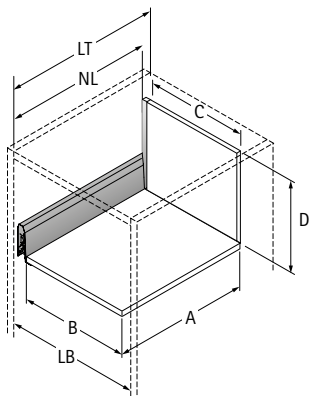
A second railing can be installed at a space of 64 mm below the upper railing.

Actro Installed width

With 3 Actro installed widths (EB) to choose from, 3 different carcass side panel thicknesses (KD) can be accommodated – without having to change the drawer dimensions. The following dimensions apply:

KD mm	16	18	19
EB mm	15	13	12
Dimension A mm	23	21	20

Dimensions for cutting to size

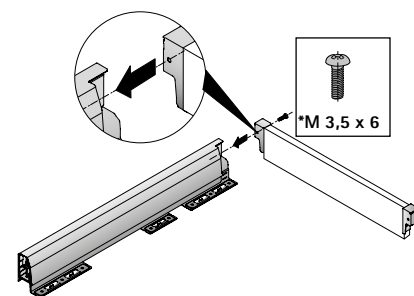
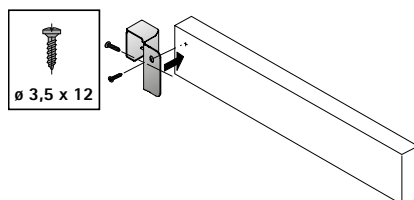
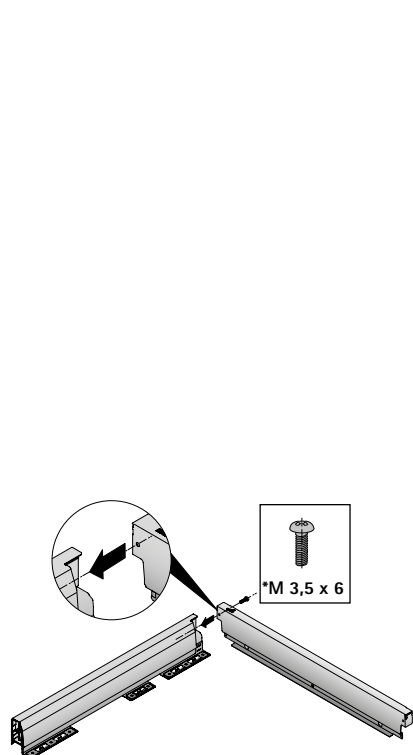


Dimension	Steel rear panel	Wooden rear panel
A	NL - 21	NL - 24.5
B	LB - 2 x EB - 52.5	LB - 2 x EB - 52.5
C	-	LB - 2 x EB - 64
D	-	272

ArciTech double walled drawer system

► Assembly, adjustment, removal

Assembling drawer, height 78 mm



ArciTech

<http://www.hettich.com/short/b6af2f>



ArciFit 100

<http://www.hettich.com/short/354e7c>



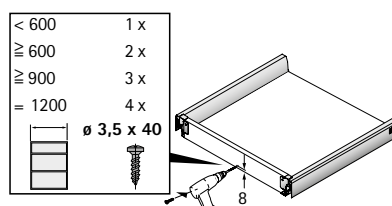
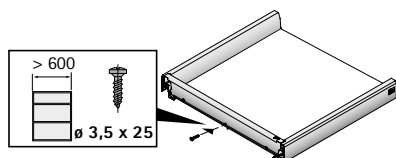
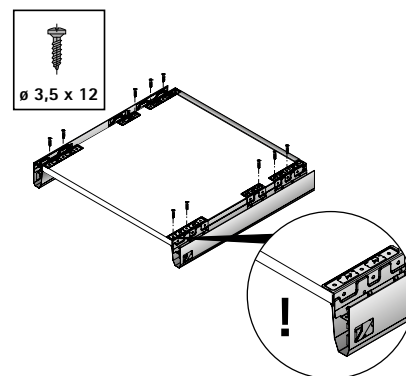
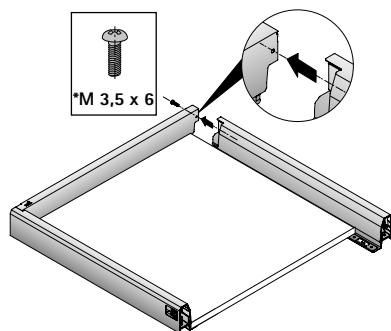
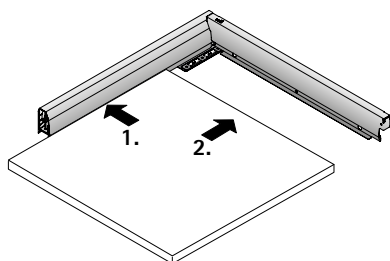
ArciFit 200

<http://www.hettich.com/short/7760a0>



ArciFit 300

<http://www.hettich.com/short/c8a03e>

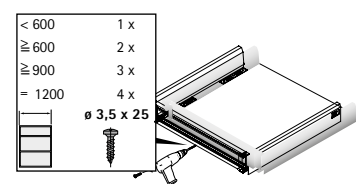
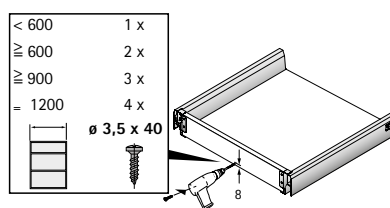
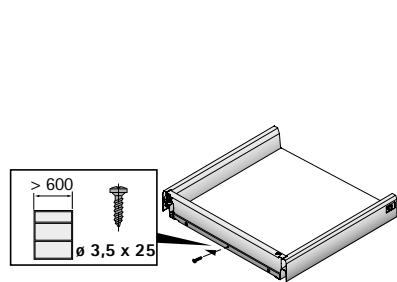
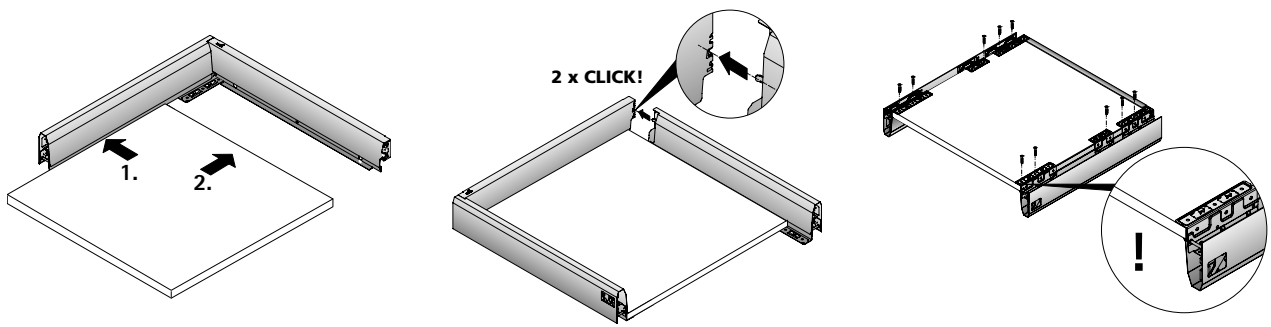
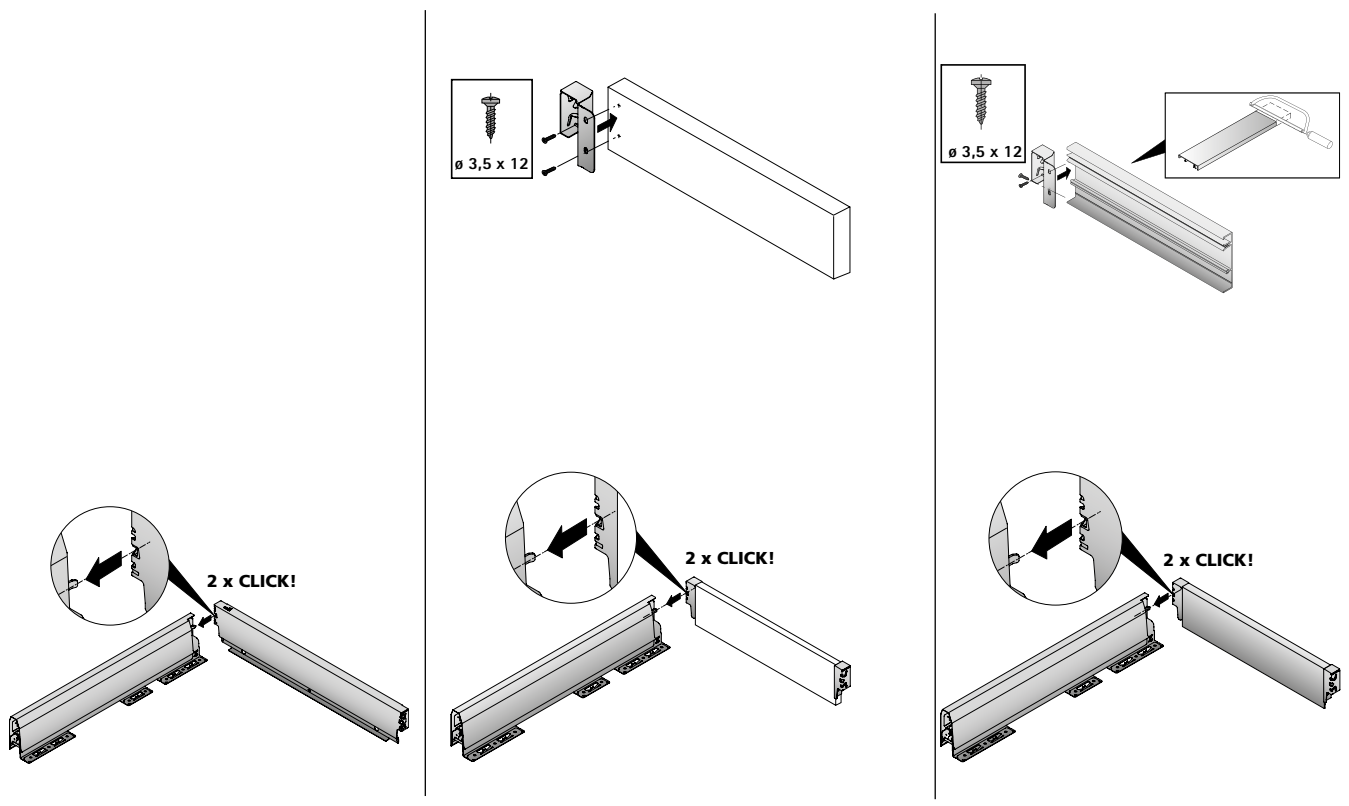


< 600	1 x
≥ 600	2 x
≥ 900	3 x
≥ 1200	4 x

ArciTech double walled drawer system

► Assembly, adjustment, removal

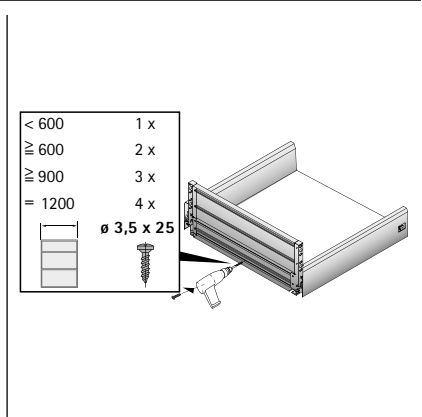
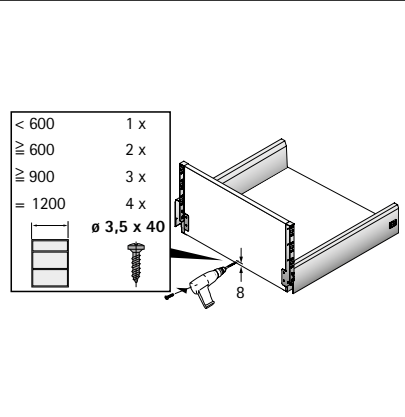
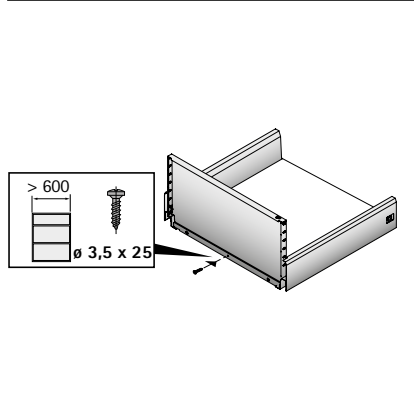
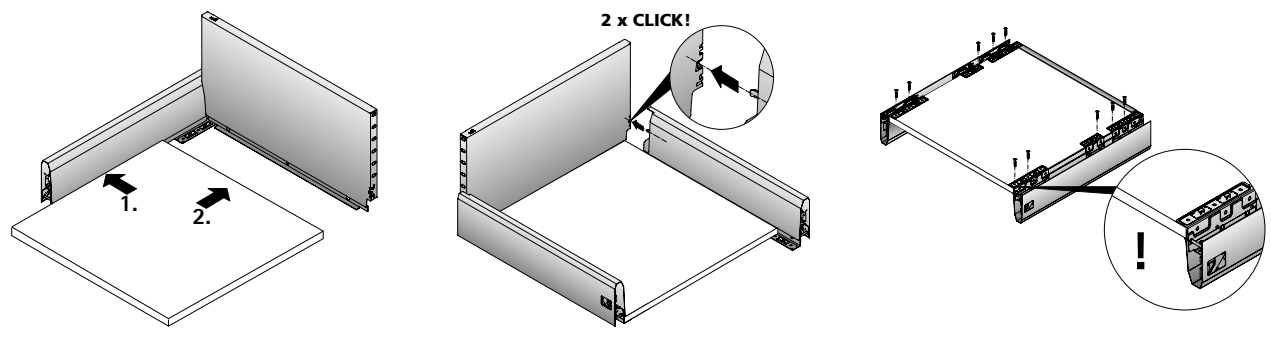
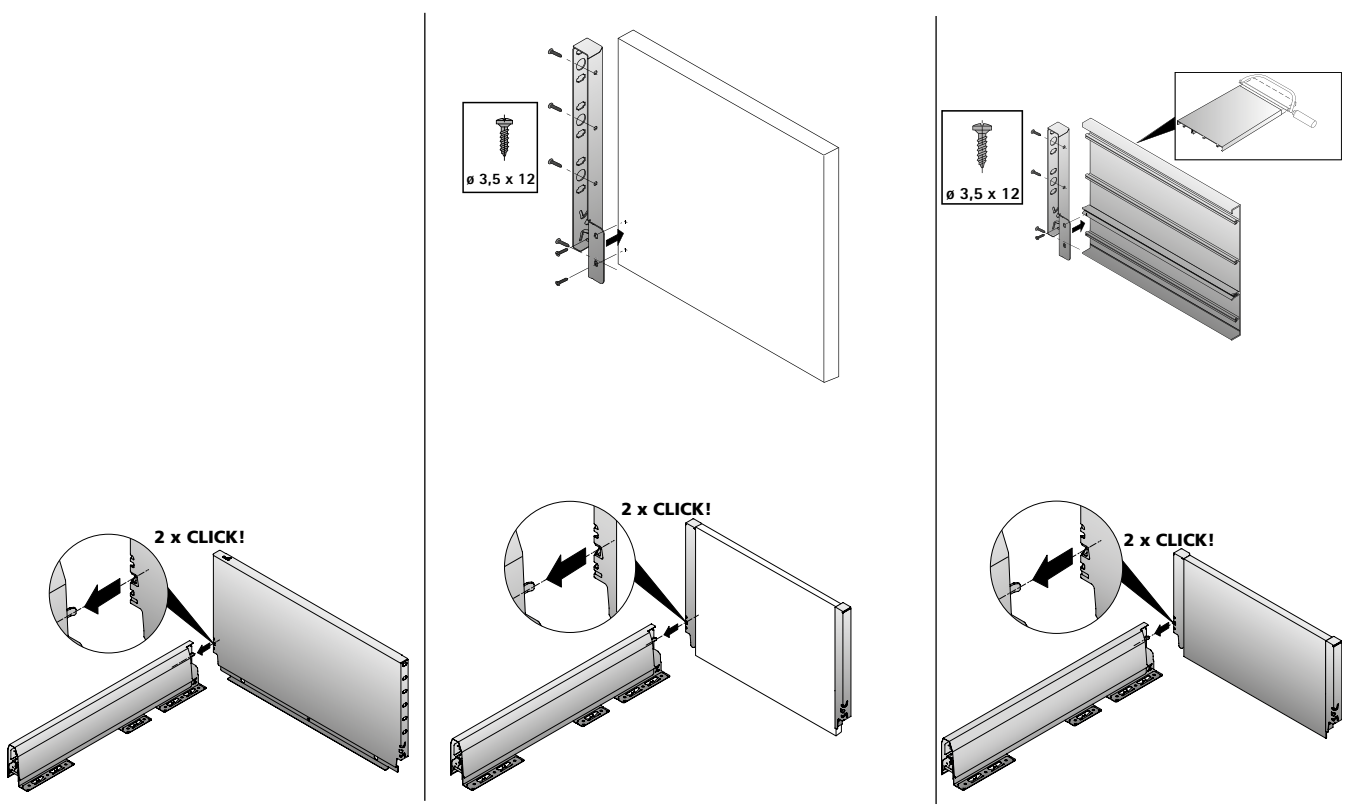
Assembling drawer, height 94 / 126 mm



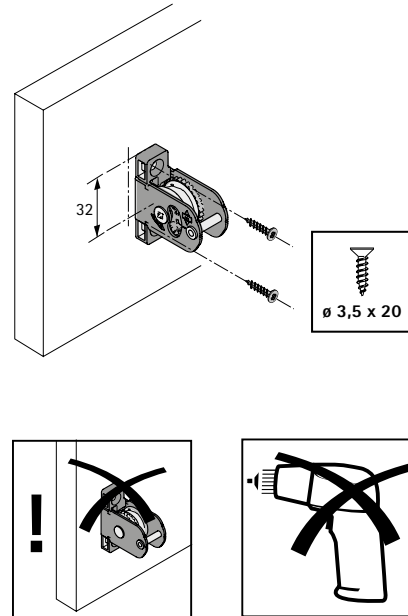
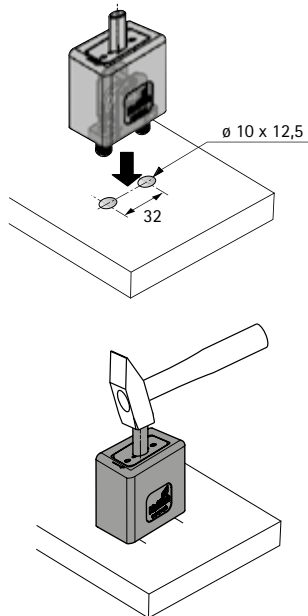
ArciTech double walled drawer system

► Assembly, adjustment, removal

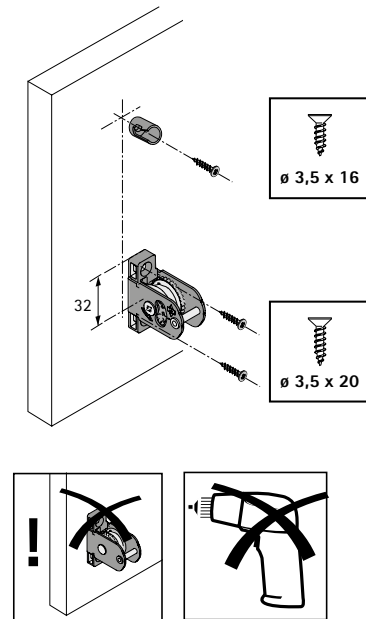
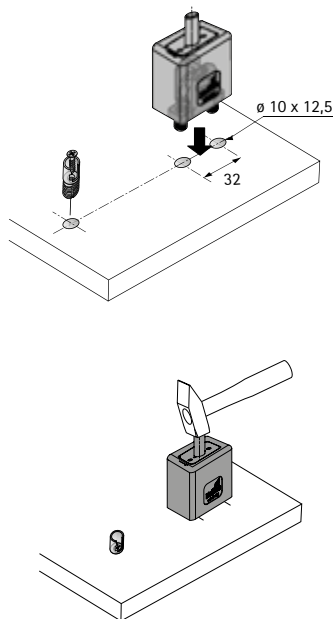
Assembling pot-and-pan drawer



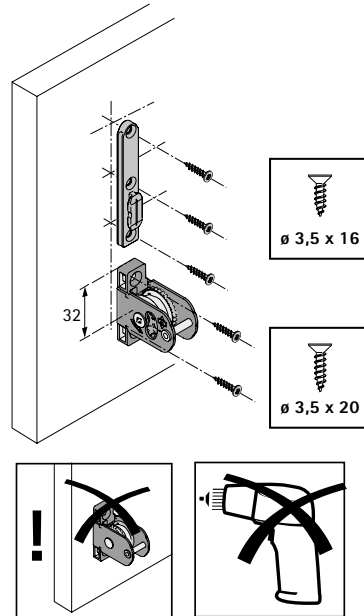
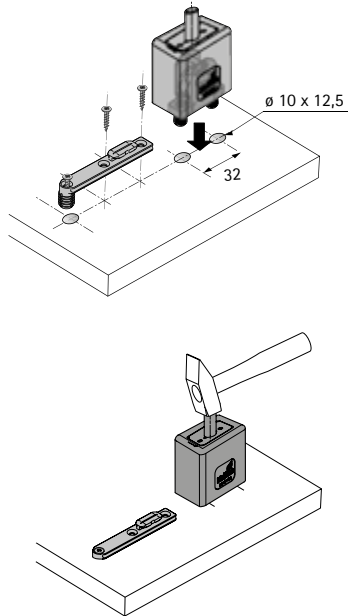
Installing drawer front connector, drawer



Installing drawer front connector, pot-and-pan drawer with railing



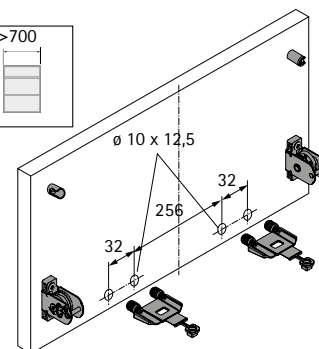
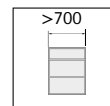
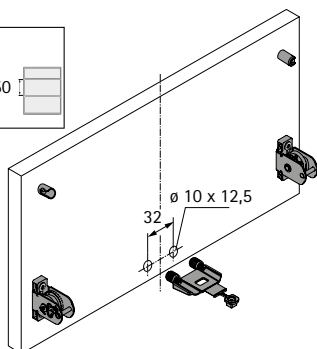
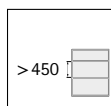
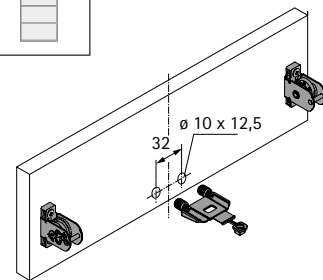
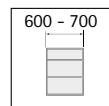
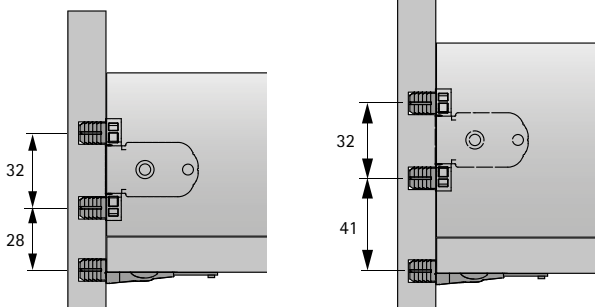
Installing drawer front connector, pot-and-pan drawer with DesignSide / TopSide



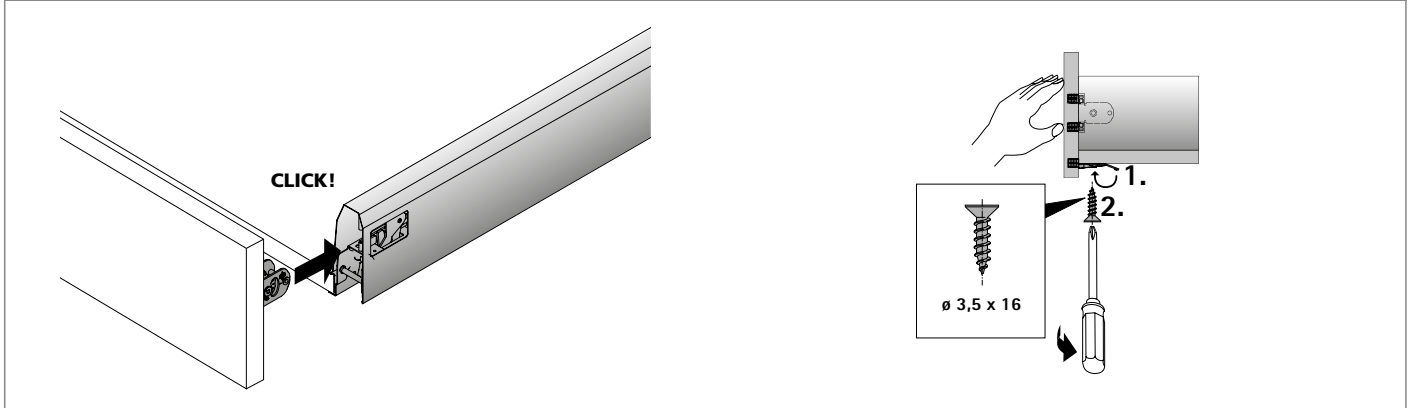
Installing front stabiliser

H 78

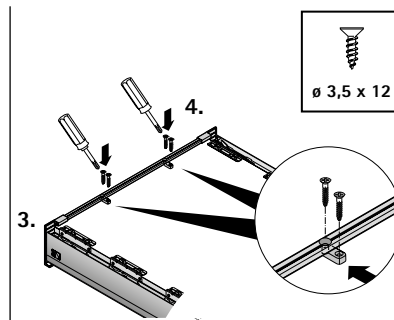
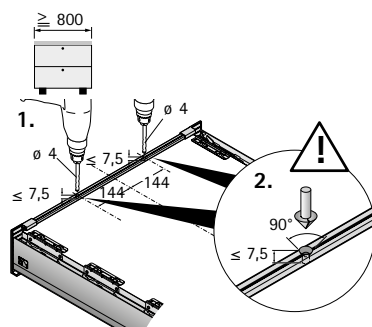
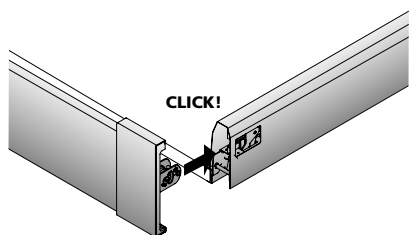
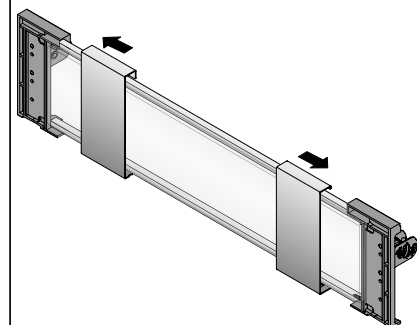
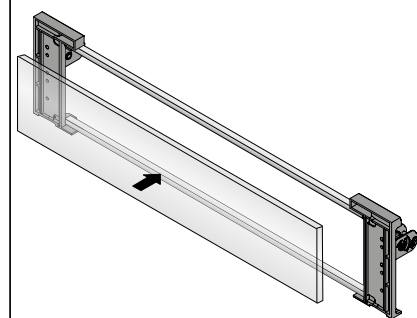
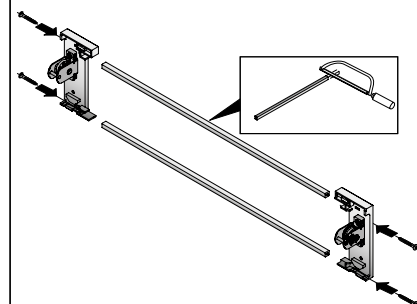
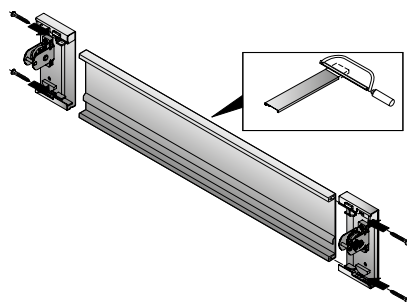
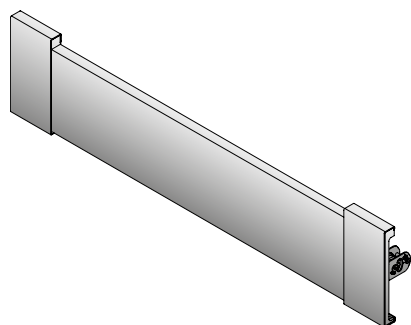
H 94 - 282



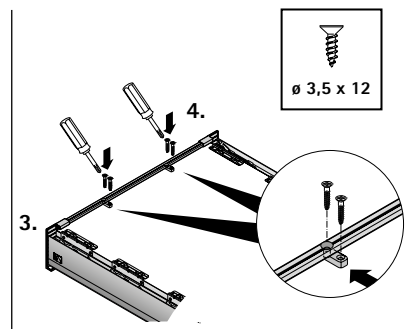
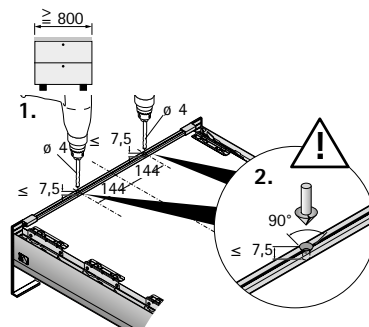
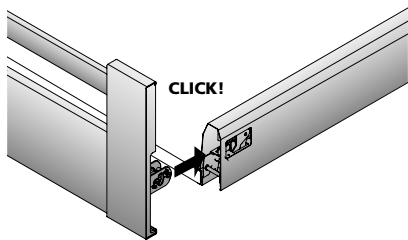
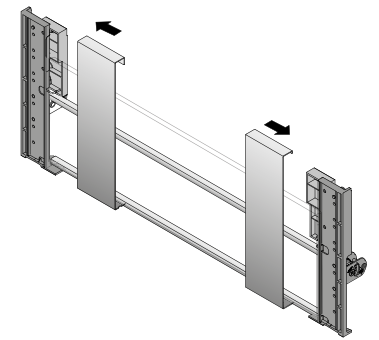
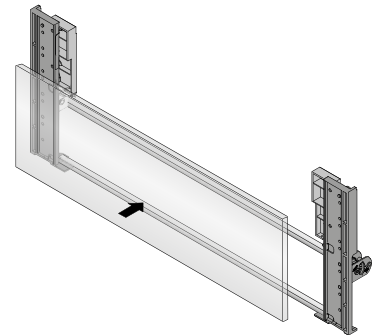
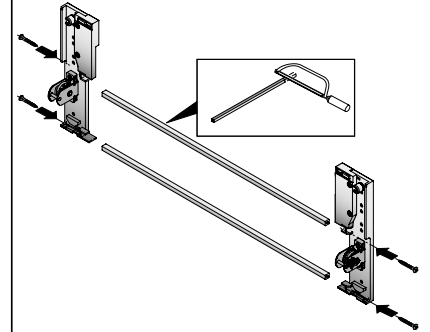
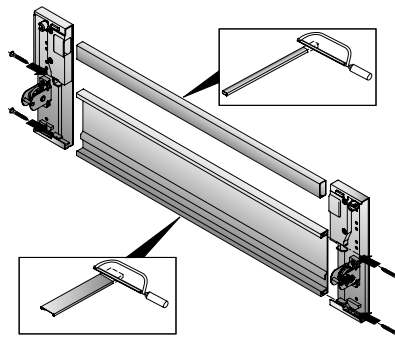
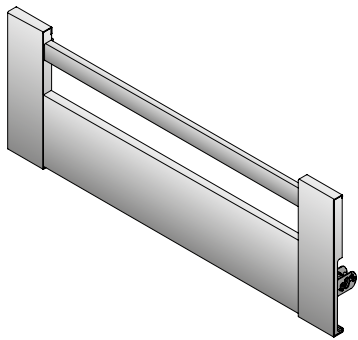
Installing front panel



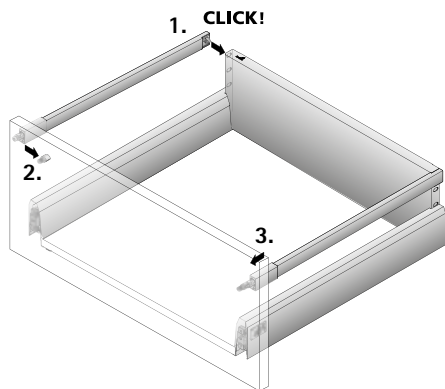
Installing front panel, internal drawer



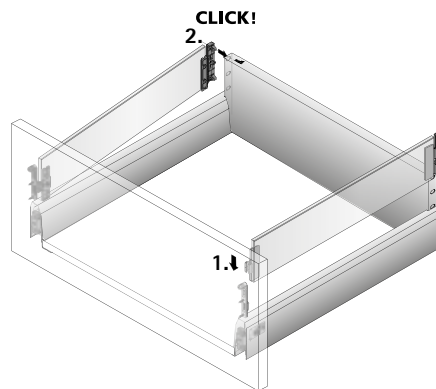
Installing front panel, internal pot-and-pan drawer



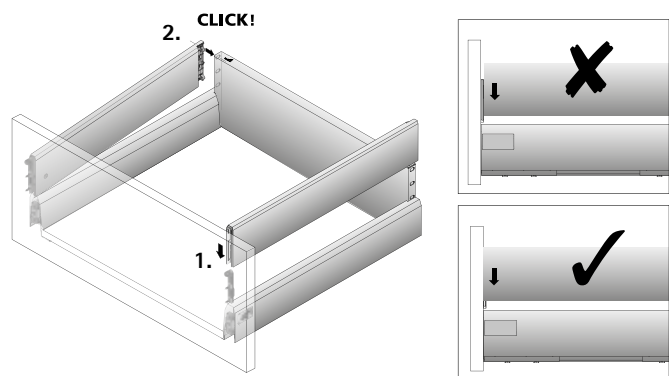
Installing lengthwise railing



Installing DesignSide



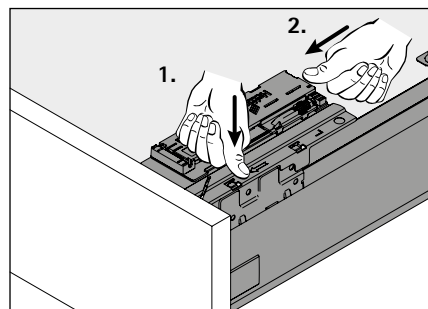
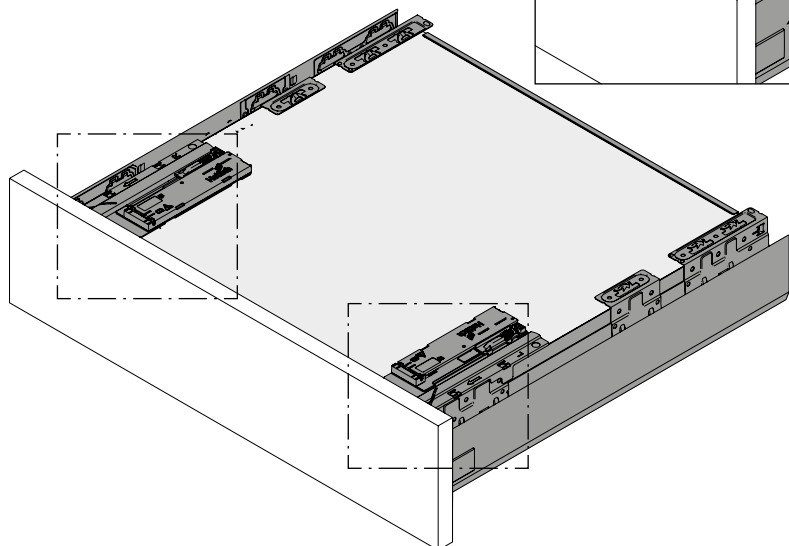
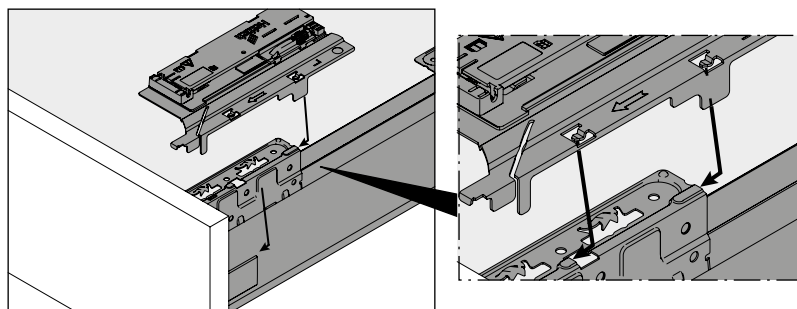
Installing TopSide



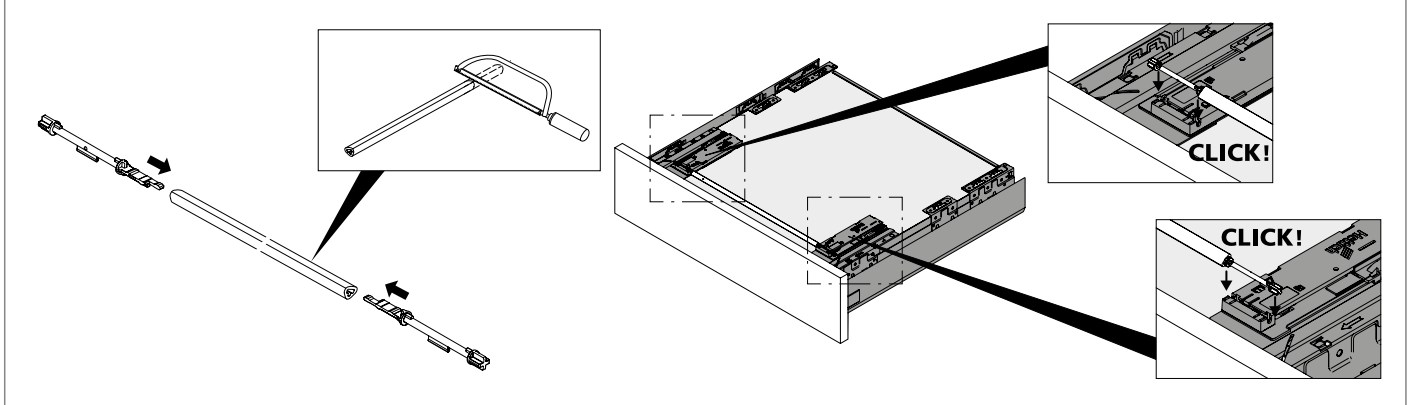
Installing Push to open Silent unit



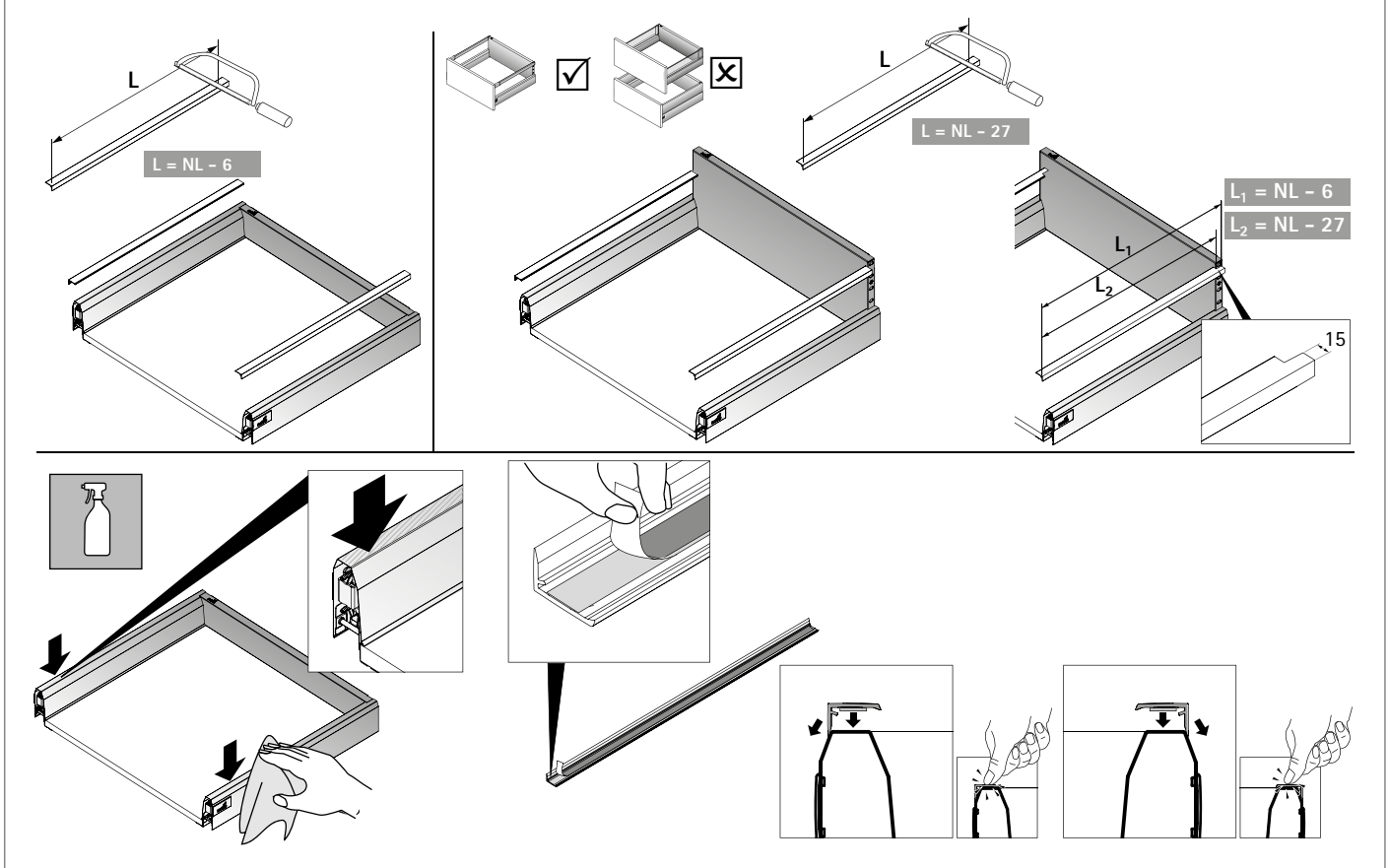
<http://www.hettich.com/short/897f82>



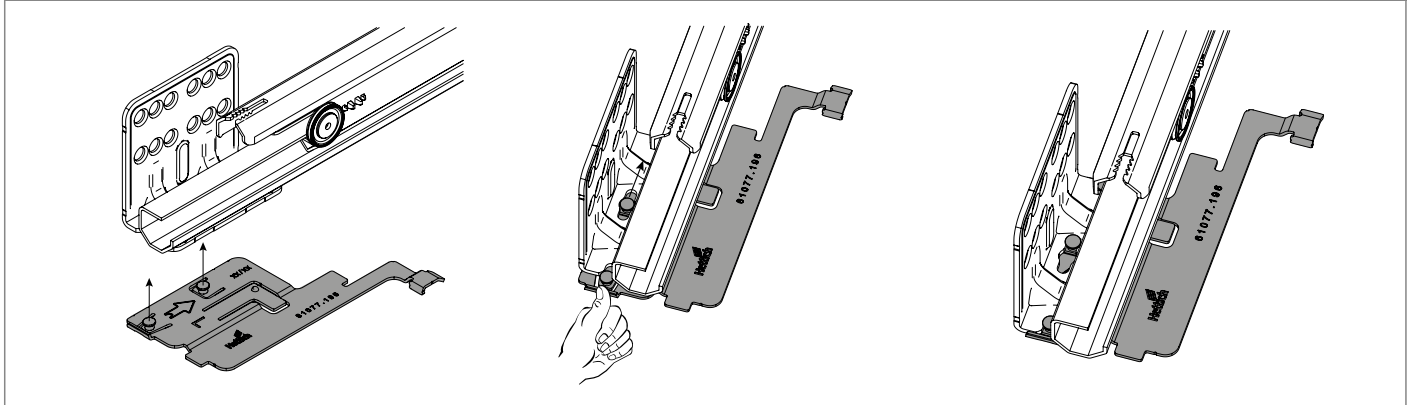
Installing Push to open Silent synchronisation



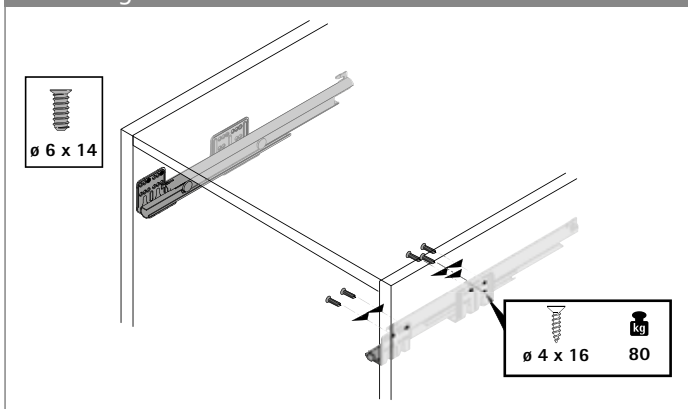
Installing designer profile



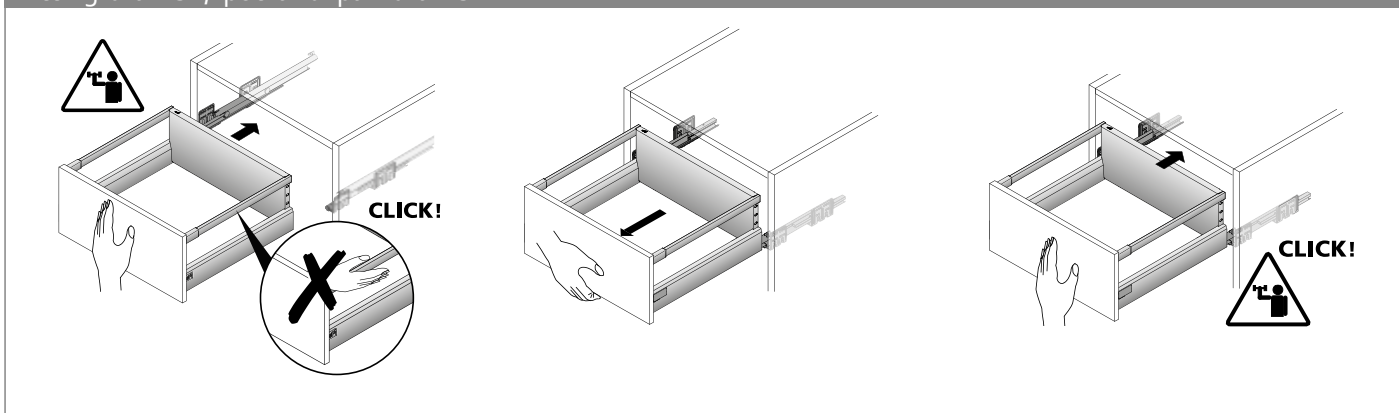
Installing Push to open Silent activator



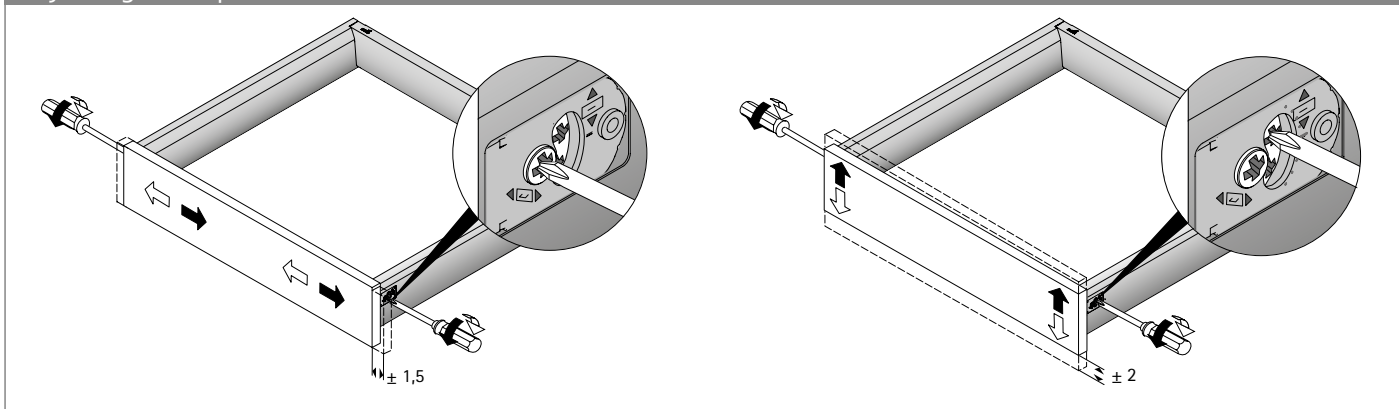
Installing Actro drawer runner



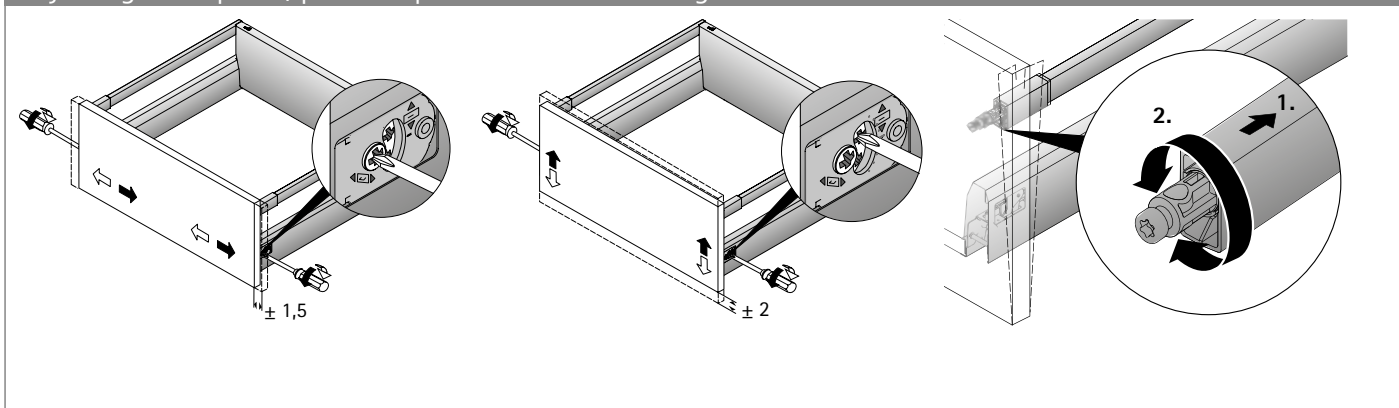
Fitting drawer / pot-and-pan drawer



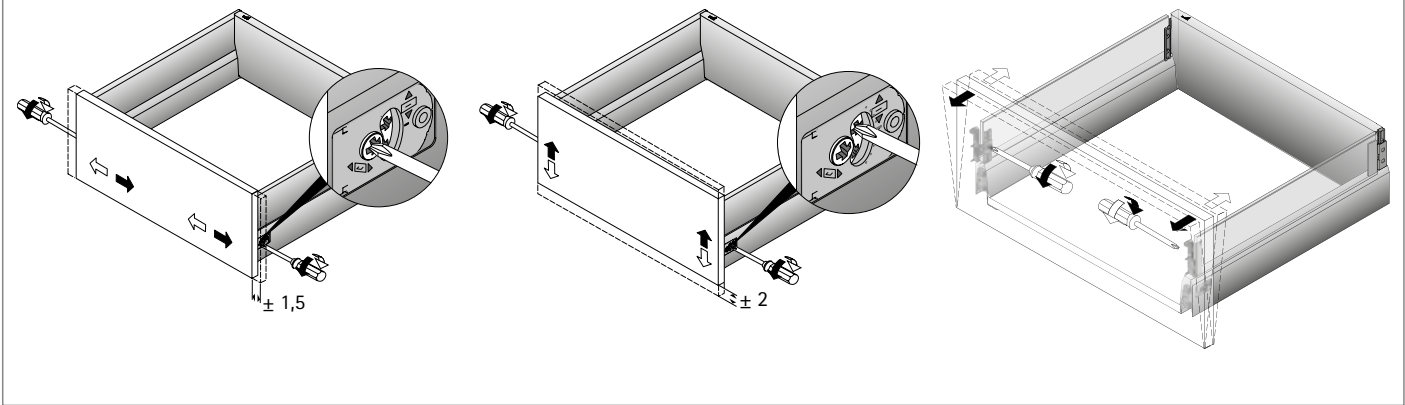
Adjusting front panel, drawer



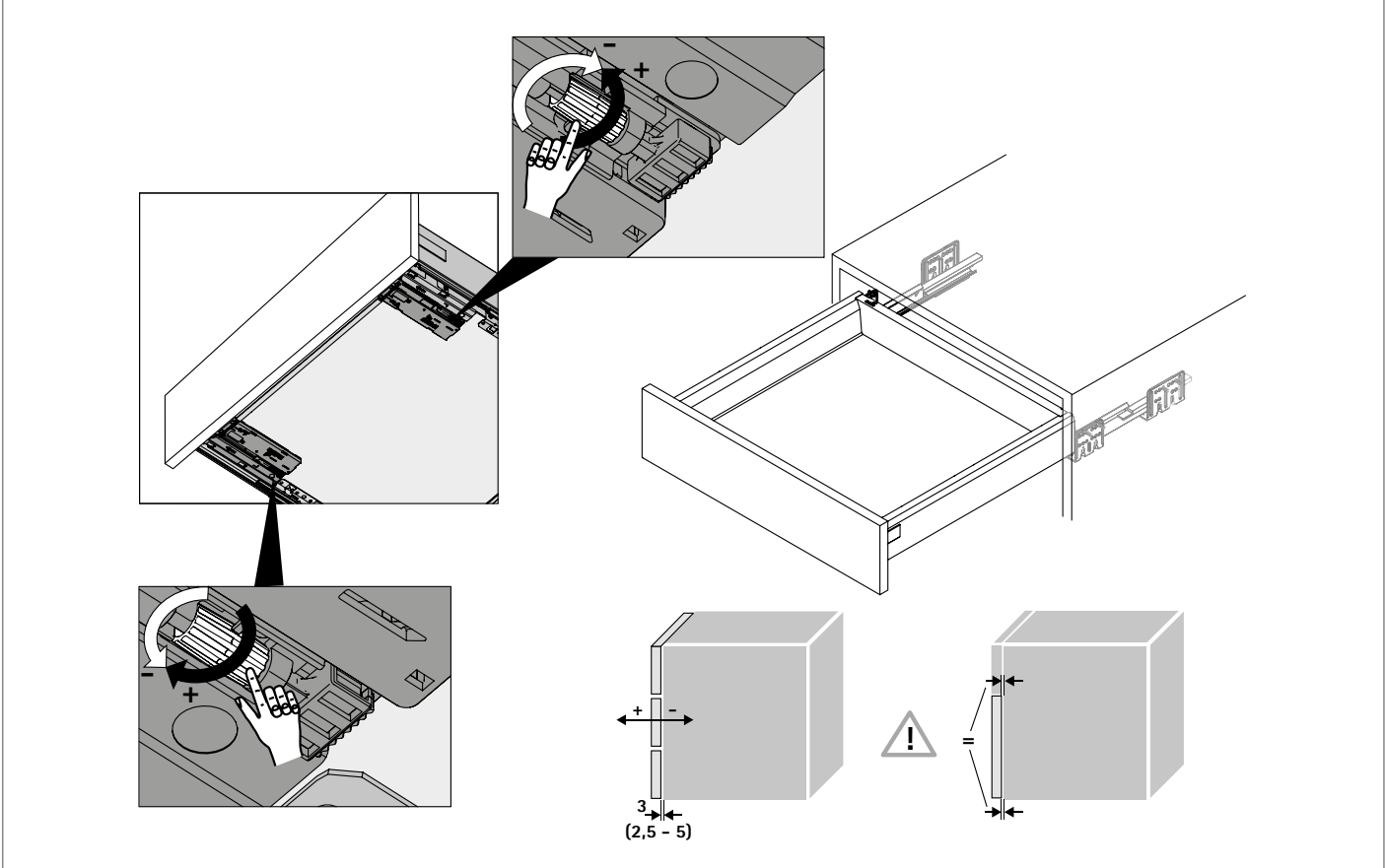
Adjusting front panel, pot-and-pan drawer with railing



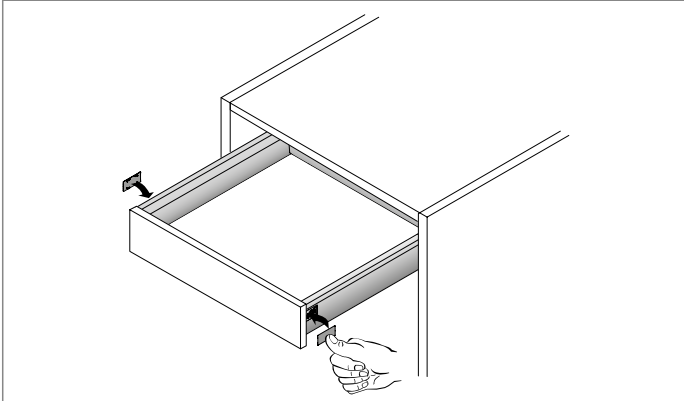
Adjusting front panel, pot-and-pan drawer with DesignSide / TopSide



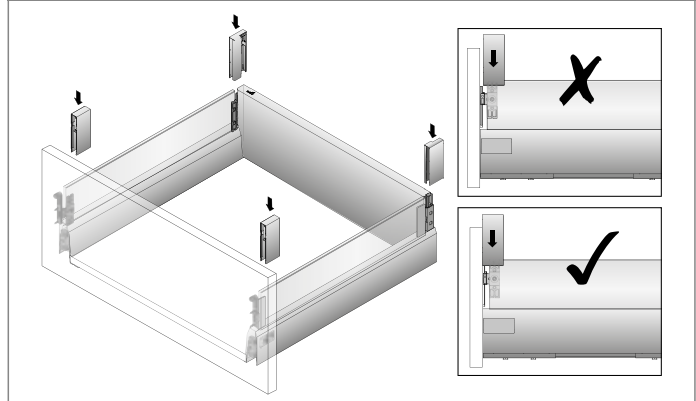
Push to open depth adjustment



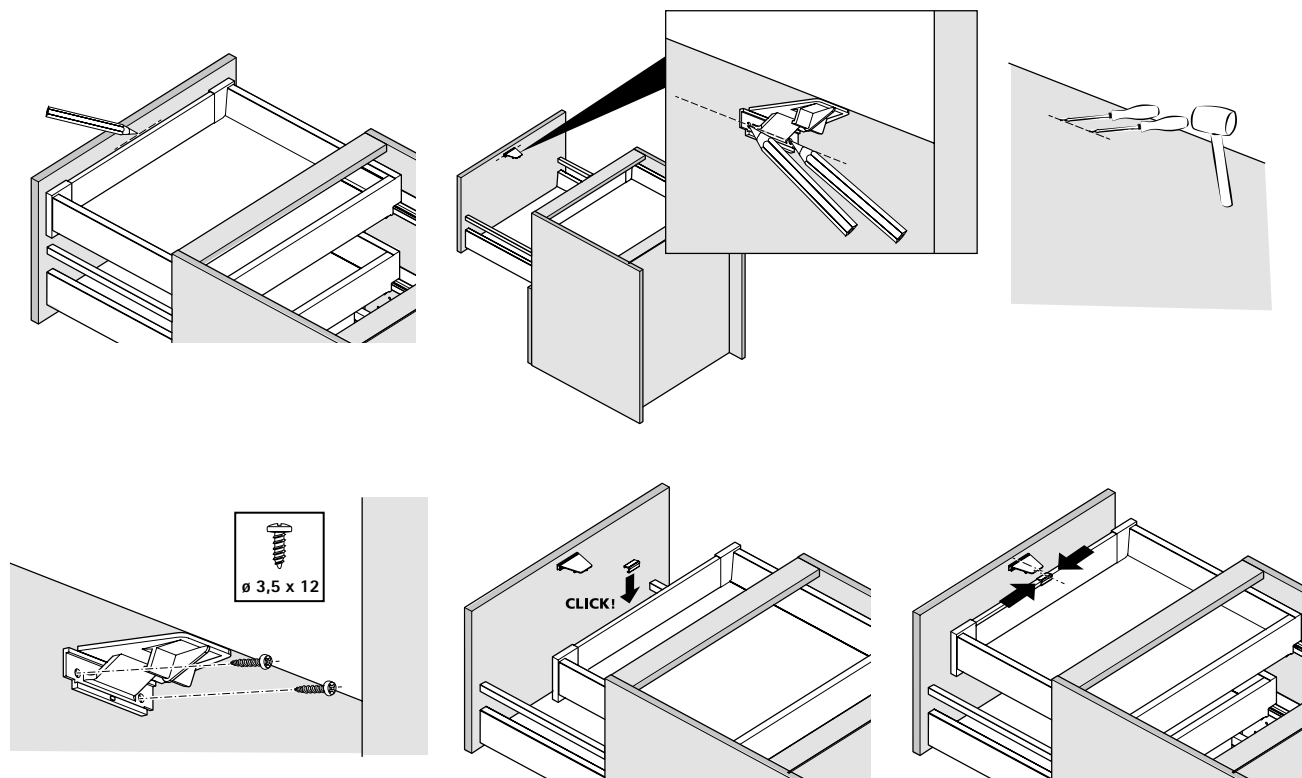
Installing cover cap



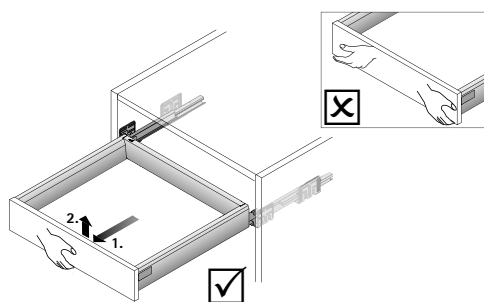
Installing DesignSide adapter



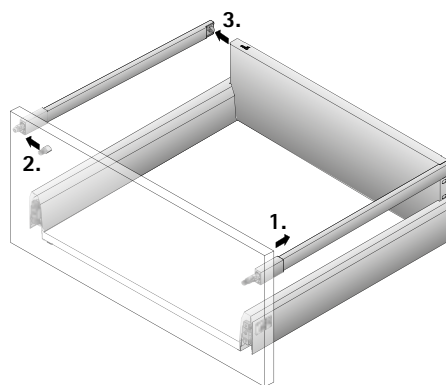
Installing catch for internal front panel



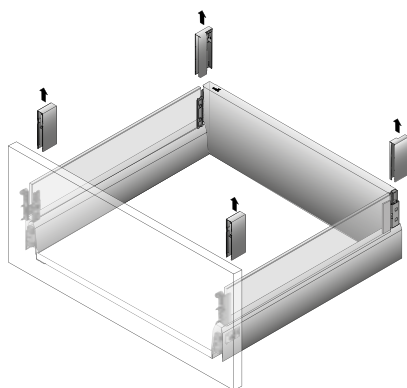
Removing drawer



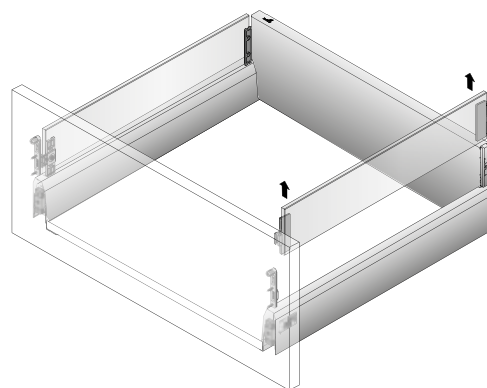
Removing railing



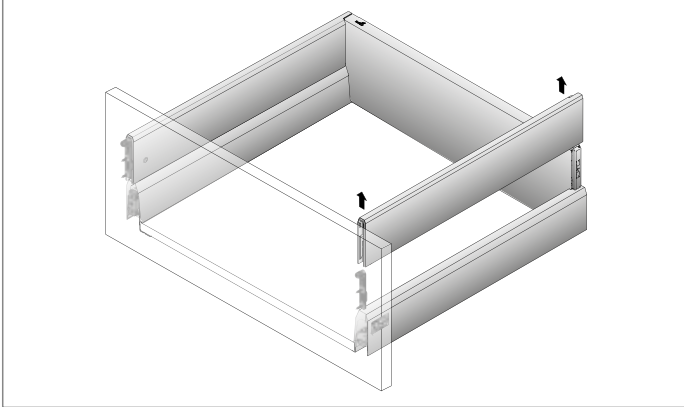
Removing DesignSide adapter



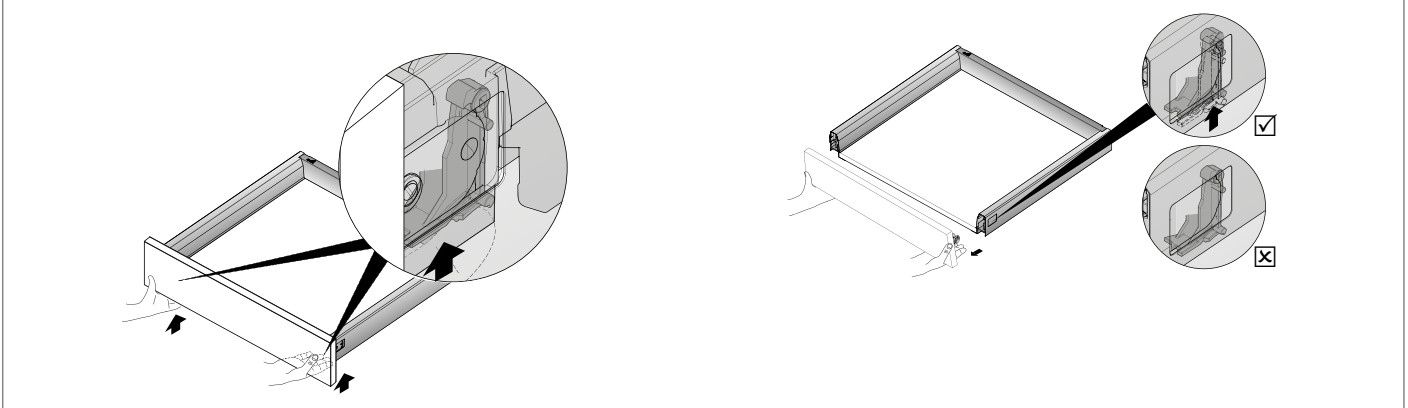
Removing DesignSide



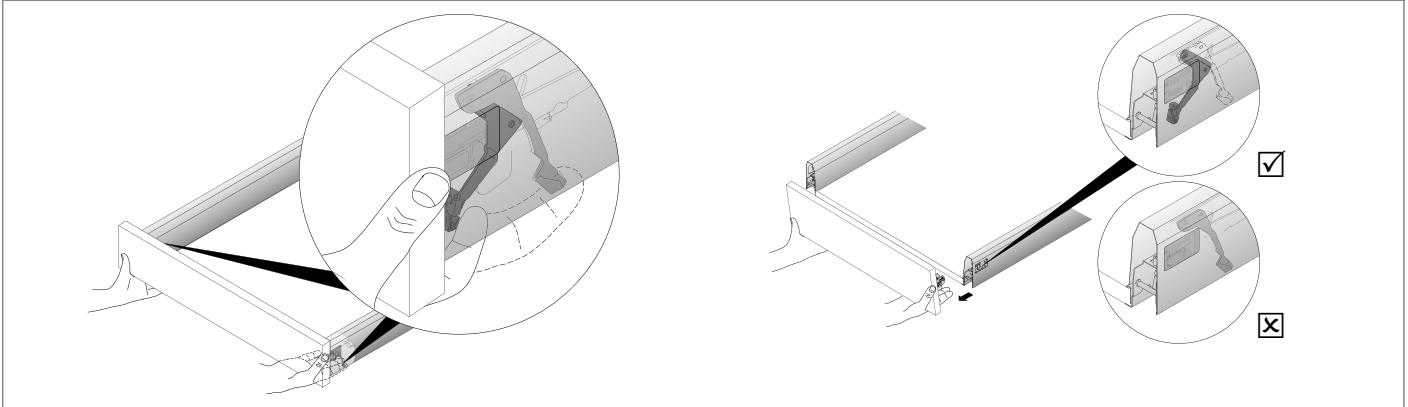
Removing TopSide



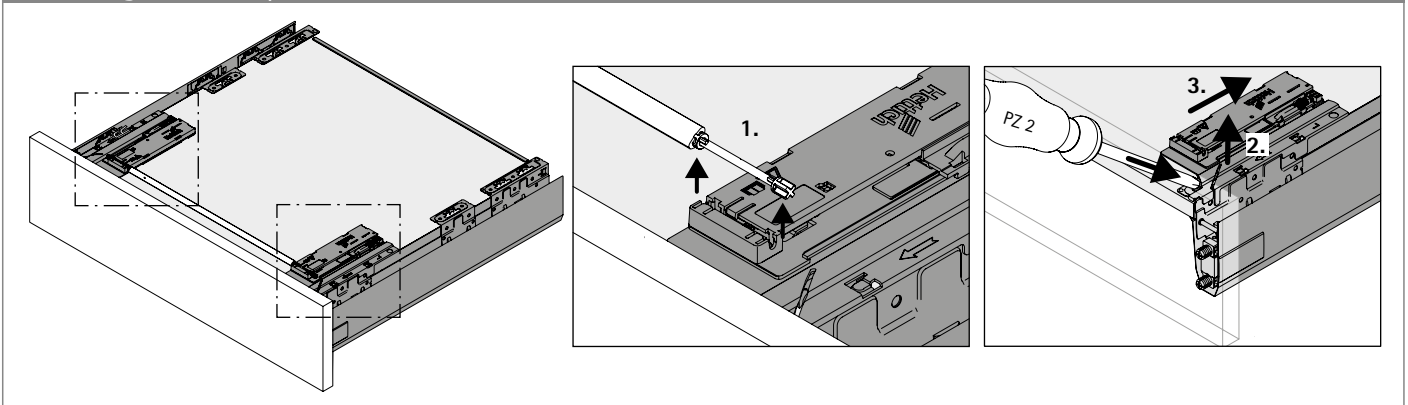
Removing front panel, drawer height 78 mm



Removing front panel



Removing Push to open Silent



ArciTech double walled drawer system

► Quality criteria

Quality that meets all the demands

The quality of drawer runners is subject to a process of continuous monitoring. Hettich fittings comply with the national and international quality standards of the markets our customers operate in. The diagrams below show some of the tests Hettich fittings are required to pass.

Application

Hettich drawer runners are suitable for use in living room, kitchen, bathroom and office furniture both in the home and business environment.

Load capacity and pull-out guard

The load capacity (to DIN EN 15338) stated in the catalogue is understood to mean the weight of the drawer itself including front panel and contents in kg. The applicable level is shown on the product. The load capacity relates to a reference length of 500 mm. The load

capacity may vary for other nominal lengths. All Hettich drawer runners feature guards to prevent the drawer from rolling out and being removed unintentionally and meet the requirements of the impact test in a test frame to EN 15338. Used in the intended manner for furniture, these runners are suitable for use in living room, kitchen and bathroom

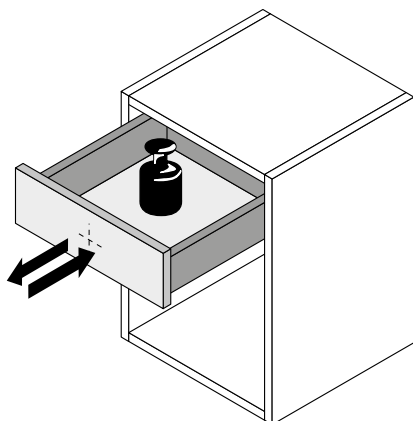
furniture to EN 14749 and for use in office furniture to EN 14073 and EN 14074. The maximum front panel height is governed in particular by material, drawer size and drawer runner. Testing is conducted on drawers with a 130 mm front panel height and pot-and-pan drawers with a 300 mm front panel height.

Corrosion test

Hettich drawer runners satisfy the requirements on corrosion defined in DIN EN 15338, 72-hour condensation water test to DIN EN 6270.

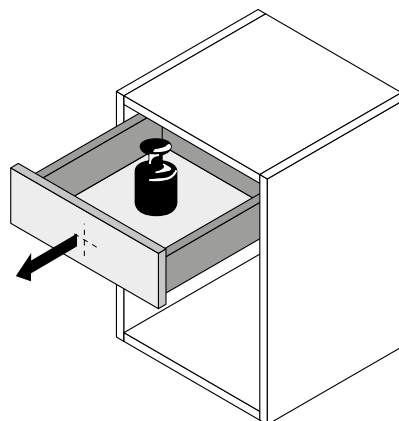
Wear test

The fully laden drawer must remain in proper working order after a defined number of opening and closing operations at a defined test velocity.



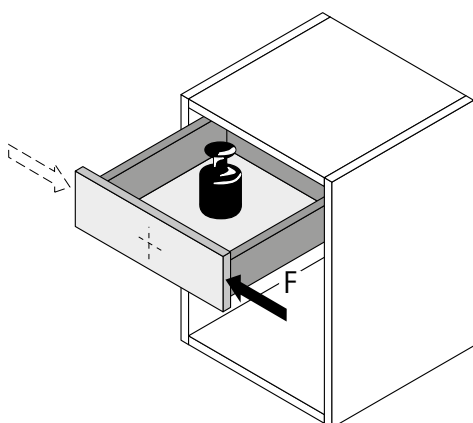
Retention-on-opening test

The fully laden drawer is abruptly opened all the way several times at a defined test velocity.



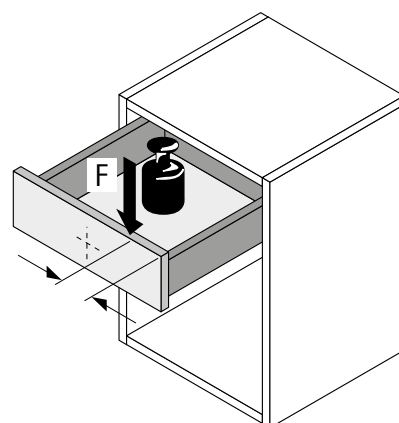
Horizontal load test

Opened all the way, the fully laden drawer is additionally exposed to horizontal strain with a defined lateral force.



Vertical strain test

Opened all the way, the drawer is additionally exposed to vertical strain with a defined eccentric force.



Order no.	Page	Order no.	Page	Order no.	Page	Order no.	Page	Order no.	Page
0 044 934	53	9 121 248	78	9 122 795	17	9 122 949	43	9 122 984	146
0 044 934	113	9 121 248	87	9 122 796	17	9 122 950	154	9 122 984	158
0 074 430	53	9 121 249	78	9 122 797	17	9 122 950	163	9 122 985	24
0 074 430	113	9 121 249	87	9 122 798	17	9 122 951	94	9 122 985	26
0 078 093	220	9 121 250	78	9 122 799	17	9 122 951	103	9 122 985	38
0 078 096	223	9 121 250	87	9 122 800	17	9 122 953	34	9 122 985	86
0 079 005	223	9 121 251	78	9 122 801	17	9 122 953	43	9 122 985	98
9 111 679	214	9 121 251	87	9 122 802	17	9 122 954	154	9 122 985	146
9 121 199	16	9 121 252	78	9 122 803	17	9 122 954	163	9 122 985	158
9 121 199	25	9 121 252	87	9 122 849	27	9 122 955	94	9 122 986	24
9 121 200	16	9 121 827	16	9 122 850	27	9 122 955	103	9 122 986	26
9 121 200	25	9 121 828	16	9 122 851	27	9 122 957	34	9 122 986	38
9 121 201	16	9 121 829	78	9 122 852	27	9 122 957	43	9 122 986	86
9 121 201	25	9 121 830	78	9 122 853	27	9 122 958	154	9 122 986	98
9 121 202	16	9 121 843	9	9 122 854	27	9 122 958	163	9 122 986	146
9 121 202	25	9 121 843	26	9 122 855	27	9 122 959	94	9 122 986	158
9 121 203	16	9 121 844	9	9 122 856	27	9 122 959	103	9 122 987	24
9 121 203	25	9 121 844	26	9 122 857	27	9 122 961	34	9 122 987	26
9 121 204	16	9 121 845	85	9 122 912	24	9 122 961	43	9 122 987	38
9 121 204	25	9 121 845	91	9 122 912	26	9 122 962	154	9 122 987	86
9 121 205	16	9 121 846	85	9 122 912	38	9 122 962	163	9 122 987	98
9 121 205	25	9 121 846	91	9 122 913	146	9 122 963	94	9 122 987	146
9 121 206	16	9 121 853	93	9 122 913	158	9 122 963	103	9 122 987	158
9 121 206	25	9 121 853	97	9 122 914	86	9 122 969	34	9 122 988	24
9 121 207	16	9 121 854	93	9 122 914	98	9 122 969	43	9 122 988	26
9 121 207	25	9 121 854	97	9 122 916	24	9 122 970	154	9 122 988	38
9 121 208	16	9 121 973	9	9 122 916	26	9 122 970	163	9 122 988	86
9 121 208	25	9 121 973	25	9 122 916	38	9 122 971	94	9 122 988	98
9 121 209	16	9 121 974	9	9 122 917	146	9 122 971	103	9 122 988	146
9 121 209	25	9 121 974	25	9 122 917	158	9 122 973	24	9 122 988	158
9 121 210	16	9 121 983	9	9 122 918	86	9 122 973	26	9 122 989	24
9 121 210	25	9 121 983	25	9 122 918	98	9 122 973	38	9 122 989	26
9 121 213	9	9 121 984	9	9 122 920	24	9 122 974	146	9 122 989	38
9 121 214	9	9 121 984	25	9 122 920	26	9 122 974	158	9 122 989	86
9 121 215	9	9 121 987	87	9 122 920	38	9 122 975	86	9 122 989	98
9 121 216	9	9 121 988	87	9 122 921	146	9 122 975	98	9 122 989	146
9 121 217	9	9 121 993	9	9 122 921	158	9 122 978	34	9 122 989	158
9 121 218	9	9 121 993	25	9 122 922	86	9 122 978	44	9 122 990	24
9 121 219	9	9 121 994	9	9 122 922	98	9 122 979	154	9 122 990	26
9 121 220	9	9 121 994	25	9 122 924	24	9 122 979	164	9 122 990	38
9 121 221	9	9 121 997	87	9 122 924	26	9 122 980	94	9 122 990	86
9 121 222	9	9 121 998	87	9 122 924	38	9 122 980	104	9 122 990	98
9 121 223	9	9 122 003	9	9 122 925	146	9 122 983	24	9 122 990	146
9 121 224	9	9 122 003	25	9 122 925	158	9 122 983	26	9 122 990	158
9 121 225	9	9 122 004	9	9 122 926	86	9 122 983	38	9 122 991	34
9 121 226	9	9 122 004	25	9 122 926	98	9 122 983	86	9 122 991	44
9 121 227	9	9 122 007	87	9 122 932	24	9 122 983	98	9 122 991	94
9 121 228	9	9 122 008	87	9 122 932	26	9 122 983	146	9 122 991	104
9 121 245	78	9 122 013	9	9 122 932	38	9 122 983	158	9 122 991	154
9 121 245	87	9 122 013	25	9 122 933	146	9 122 984	24	9 122 991	164
9 121 246	78	9 122 014	9	9 122 933	158	9 122 984	26	9 122 992	34
9 121 246	87	9 122 014	25	9 122 934	86	9 122 984	38	9 122 992	44
9 121 247	78	9 122 017	87	9 122 934	98	9 122 984	86	9 122 992	94
9 121 247	87	9 122 018	87	9 122 949	34	9 122 984	98	9 122 992	104

Order no.	Page	Order no.	Page	Order no.	Page	Order no.	Page	Order no.	Page
9 122 992	154	9 123 003	87	9 123 080	109	9 132 690	115	9 149 265	93
9 122 992	164	9 123 004	9	9 123 080	135	9 134 772	211	9 149 265	101
9 122 993	34	9 123 005	9	9 123 080	137	9 134 859	213	9 149 265	107
9 122 993	44	9 123 005	16	9 123 080	141	9 134 860	213	9 149 266	77
9 122 993	94	9 123 005	25	9 123 080	146	9 134 975	54	9 149 266	85
9 122 993	104	9 123 006	78	9 123 080	149	9 134 976	54	9 149 266	93
9 122 993	154	9 123 006	87	9 123 080	154	9 134 977	54	9 149 266	101
9 122 993	164	9 123 008	9	9 123 080	158	9 134 979	54	9 149 266	107
9 122 994	34	9 123 008	16	9 123 080	161	9 134 980	54	9 149 268	77
9 122 994	44	9 123 008	25	9 123 080	164	9 134 992	54	9 149 268	85
9 122 994	94	9 123 008	78	9 123 080	167	9 134 993	54	9 149 268	93
9 122 994	104	9 123 008	87	9 123 080	169	9 134 994	54	9 149 268	101
9 122 994	154	9 123 009	9	9 123 083	17	9 134 995	54	9 149 268	107
9 122 994	164	9 123 010	9	9 123 084	79	9 135 013	114	9 149 269	77
9 122 995	34	9 123 010	16	9 123 086	20	9 135 014	114	9 149 269	85
9 122 995	44	9 123 010	25	9 123 087	82	9 135 015	114	9 149 269	93
9 122 995	94	9 123 010	78	9 123 089	27	9 135 016	114	9 149 269	101
9 122 995	104	9 123 010	87	9 123 089	30	9 135 017	114	9 149 269	107
9 122 995	154	9 123 011	9	9 123 090	88	9 135 019	114	9 149 270	81
9 122 995	164	9 123 011	16	9 123 092	35	9 135 020	114	9 149 270	91
9 122 996	34	9 123 011	25	9 123 092	39	9 135 031	114	9 149 270	97
9 122 996	44	9 123 011	78	9 123 093	95	9 135 032	114	9 149 270	103
9 122 996	94	9 123 011	87	9 123 093	99	9 135 408	66	9 149 270	109
9 122 996	104	9 123 078	34	9 123 524	218	9 135 408	126	9 149 272	81
9 122 996	154	9 123 078	44	9 123 525	218	9 135 408	185	9 149 272	91
9 122 996	164	9 123 078	94	9 123 527	218	9 140 121	138	9 149 272	97
9 122 997	34	9 123 078	104	9 127 000	9	9 140 122	142	9 149 272	103
9 122 997	44	9 123 078	154	9 127 000	25	9 140 123	147	9 149 272	109
9 122 997	94	9 123 078	164	9 127 000	87	9 140 123	150	9 149 273	81
9 122 997	104	9 123 080	13	9 127 011	9	9 140 124	155	9 149 273	91
9 122 997	154	9 123 080	15	9 127 011	25	9 140 124	159	9 149 273	97
9 122 997	164	9 123 080	16	9 127 011	87	9 140 129	222	9 149 273	103
9 122 998	24	9 123 080	19	9 127 211	222	9 149 261	77	9 149 273	109
9 122 998	26	9 123 080	24	9 128 172	220	9 149 261	85	9 149 274	81
9 122 998	34	9 123 080	25	9 132 344	213	9 149 261	93	9 149 274	91
9 122 998	38	9 123 080	29	9 132 365	211	9 149 261	101	9 149 274	97
9 122 998	44	9 123 080	34	9 132 366	211	9 149 261	107	9 149 274	103
9 122 998	86	9 123 080	38	9 132 367	211	9 149 262	77	9 149 274	109
9 122 998	94	9 123 080	41	9 132 368	211	9 149 262	85	9 149 275	81
9 122 998	98	9 123 080	44	9 132 371	211	9 149 262	93	9 149 275	91
9 122 998	104	9 123 080	47	9 132 375	213	9 149 262	101	9 149 275	97
9 122 998	146	9 123 080	49	9 132 376	213	9 149 262	107	9 149 275	103
9 122 998	154	9 123 080	75	9 132 377	213	9 149 263	77	9 149 275	109
9 122 998	158	9 123 080	77	9 132 378	213	9 149 263	85	9 149 276	81
9 122 998	164	9 123 080	78	9 132 379	213	9 149 263	93	9 149 276	91
9 123 000	9	9 123 080	81	9 132 380	213	9 149 263	101	9 149 276	97
9 123 000	16	9 123 080	86	9 132 381	213	9 149 263	107	9 149 276	103
9 123 000	25	9 123 080	87	9 132 382	213	9 149 264	77	9 149 276	109
9 123 001	78	9 123 080	91	9 132 383	213	9 149 264	85	9 149 277	81
9 123 001	87	9 123 080	94	9 132 384	213	9 149 264	93	9 149 277	91
9 123 003	9	9 123 080	98	9 132 385	213	9 149 264	101	9 149 277	97
9 123 003	16	9 123 080	101	9 132 386	213	9 149 264	107	9 149 277	103
9 123 003	25	9 123 080	104	9 132 689	55	9 149 265	77	9 149 277	109
9 123 003	78	9 123 080	107	9 132 689	55	9 149 265	85	9 149 278	81

Order no.	Page	Order no.	Page	Order no.	Page	Order no.	Page	Order no.	Page
9 149 278	91	9 149 290	85	9 149 329	85	9 149 386	97	9 150 484	161
9 149 278	97	9 149 290	91	9 149 330	85	9 149 387	97	9 150 484	167
9 149 278	103	9 149 290	93	9 149 331	85	9 149 388	97	9 150 485	137
9 149 278	109	9 149 290	97	9 149 332	85	9 149 389	101	9 150 485	145
9 149 279	77	9 149 290	101	9 149 333	85	9 149 390	101	9 150 485	153
9 149 280	81	9 149 290	103	9 149 334	85	9 149 391	101	9 150 485	161
9 149 281	85	9 149 290	107	9 149 335	85	9 149 392	101	9 150 485	167
9 149 281	91	9 149 290	109	9 149 336	91	9 149 393	101	9 150 486	137
9 149 282	93	9 149 291	85	9 149 337	91	9 149 394	101	9 150 486	145
9 149 282	97	9 149 291	91	9 149 338	91	9 149 395	101	9 150 486	153
9 149 283	101	9 149 291	93	9 149 339	91	9 149 396	101	9 150 486	161
9 149 283	103	9 149 291	97	9 149 340	91	9 149 397	103	9 150 486	167
9 149 284	107	9 149 291	101	9 149 341	91	9 149 398	103	9 150 487	137
9 149 284	109	9 149 291	103	9 149 343	91	9 149 399	103	9 150 487	145
9 149 285	85	9 149 291	107	9 149 344	91	9 149 400	103	9 150 487	153
9 149 285	91	9 149 291	109	9 149 345	93	9 149 401	103	9 150 487	161
9 149 285	93	9 149 292	85	9 149 346	93	9 149 402	103	9 150 487	167
9 149 285	97	9 149 292	91	9 149 347	93	9 149 403	103	9 150 488	137
9 149 285	101	9 149 292	93	9 149 348	93	9 149 405	103	9 150 488	145
9 149 285	103	9 149 292	97	9 149 349	93	9 149 406	103	9 150 488	153
9 149 285	107	9 149 292	101	9 149 350	93	9 149 407	103	9 150 488	161
9 149 285	109	9 149 292	103	9 149 351	93	9 149 408	103	9 150 488	167
9 149 286	85	9 149 292	107	9 149 352	93	9 149 410	103	9 150 489	137
9 149 286	91	9 149 292	109	9 149 353	93	9 149 411	103	9 150 489	145
9 149 286	93	9 149 294	77	9 149 354	93	9 149 412	103	9 150 489	153
9 149 286	97	9 149 295	77	9 149 355	93	9 149 413	103	9 150 489	161
9 149 286	101	9 149 297	77	9 149 356	93	9 149 414	103	9 150 489	167
9 149 286	103	9 149 299	77	9 149 357	93	9 149 415	103	9 150 490	137
9 149 286	107	9 149 300	77	9 149 358	93	9 149 416	103	9 150 490	145
9 149 286	109	9 149 302	77	9 149 359	93	9 149 417	103	9 150 490	153
9 149 287	85	9 149 304	77	9 149 360	93	9 149 418	103	9 150 490	161
9 149 287	91	9 149 306	77	9 149 361	93	9 149 420	103	9 150 490	167
9 149 287	93	9 149 307	81	9 149 362	93	9 149 421	107	9 150 491	137
9 149 287	97	9 149 308	81	9 149 363	93	9 149 422	107	9 150 491	145
9 149 287	101	9 149 309	81	9 149 364	93	9 149 423	107	9 150 491	153
9 149 287	103	9 149 310	81	9 149 365	93	9 149 424	107	9 150 491	161
9 149 287	107	9 149 311	81	9 149 366	97	9 149 425	107	9 150 491	167
9 149 287	109	9 149 312	81	9 149 367	97	9 149 426	107	9 150 492	141
9 149 288	85	9 149 313	81	9 149 368	97	9 149 428	107	9 150 492	149
9 149 288	91	9 149 314	81	9 149 369	97	9 149 429	107	9 150 492	157
9 149 288	93	9 149 315	85	9 149 370	97	9 149 430	109	9 150 492	163
9 149 288	97	9 149 316	85	9 149 371	97	9 149 431	109	9 150 492	169
9 149 288	101	9 149 317	85	9 149 372	97	9 149 432	109	9 150 493	141
9 149 288	103	9 149 318	85	9 149 373	97	9 149 433	109	9 150 493	149
9 149 288	107	9 149 319	85	9 149 375	97	9 149 434	109	9 150 493	157
9 149 288	109	9 149 320	85	9 149 376	97	9 149 435	109	9 150 493	163
9 149 289	85	9 149 321	85	9 149 377	97	9 149 436	109	9 150 493	169
9 149 289	91	9 149 322	85	9 149 378	97	9 149 437	109	9 150 494	141
9 149 289	93	9 149 323	85	9 149 379	97	9 150 069	75	9 150 494	149
9 149 289	97	9 149 324	85	9 149 380	97	9 150 398	7	9 150 494	157
9 149 289	101	9 149 325	85	9 149 381	97	9 150 398	23	9 150 494	163
9 149 289	103	9 149 326	85	9 149 382	97	9 150 484	137	9 150 494	169
9 149 289	107	9 149 327	85	9 149 383	97	9 150 484	145	9 150 495	141
9 149 289	109	9 149 328	85	9 149 384	97	9 150 484	153	9 150 495	149

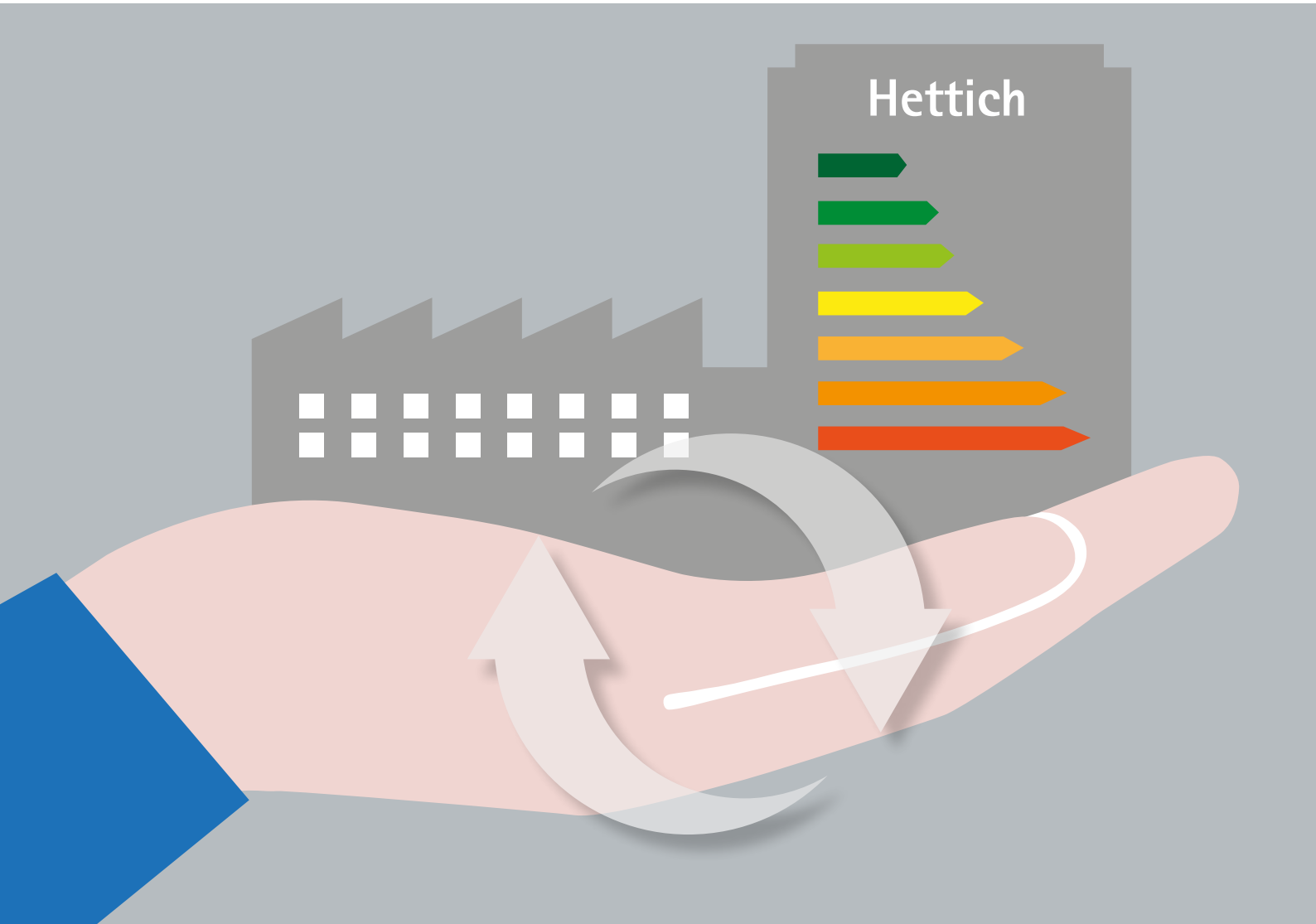
Order no.	Page	Order no.	Page	Order no.	Page	Order no.	Page	Order no.	Page
9 150 495	157	9 150 514	161	9 150 531	141	9 150 613	33	9 150 623	49
9 150 495	163	9 150 514	163	9 150 532	141	9 150 613	41	9 150 624	19
9 150 495	169	9 150 514	167	9 150 533	141	9 150 613	47	9 150 624	29
9 150 496	141	9 150 514	169	9 150 534	141	9 150 614	8	9 150 624	37
9 150 496	149	9 150 515	145	9 150 535	141	9 150 614	15	9 150 624	43
9 150 496	157	9 150 515	149	9 150 536	141	9 150 614	23	9 150 624	49
9 150 496	163	9 150 515	153	9 150 537	145	9 150 614	33	9 150 625	19
9 150 496	169	9 150 515	157	9 150 538	145	9 150 614	41	9 150 625	29
9 150 497	141	9 150 515	161	9 150 539	145	9 150 614	47	9 150 625	37
9 150 497	149	9 150 515	163	9 150 540	145	9 150 615	8	9 150 625	43
9 150 497	157	9 150 515	167	9 150 542	145	9 150 615	15	9 150 625	49
9 150 497	163	9 150 515	169	9 150 543	145	9 150 615	23	9 150 626	19
9 150 497	169	9 150 516	145	9 150 544	145	9 150 615	33	9 150 626	29
9 150 498	141	9 150 516	149	9 150 545	145	9 150 615	41	9 150 626	37
9 150 498	149	9 150 516	153	9 150 546	145	9 150 615	47	9 150 626	43
9 150 498	157	9 150 516	157	9 150 547	145	9 150 616	8	9 150 626	49
9 150 498	163	9 150 516	161	9 150 548	145	9 150 616	15	9 150 627	19
9 150 498	169	9 150 516	163	9 150 549	145	9 150 616	23	9 150 627	29
9 150 499	141	9 150 516	167	9 150 550	145	9 150 616	33	9 150 627	37
9 150 499	149	9 150 516	169	9 150 551	145	9 150 616	41	9 150 627	43
9 150 499	157	9 150 517	145	9 150 552	145	9 150 616	47	9 150 627	49
9 150 499	163	9 150 517	149	9 150 553	145	9 150 618	8	9 150 628	19
9 150 499	169	9 150 517	153	9 150 554	145	9 150 618	15	9 150 628	29
9 150 500	135	9 150 517	157	9 150 555	145	9 150 618	23	9 150 628	37
9 150 501	137	9 150 517	161	9 150 556	145	9 150 618	33	9 150 628	43
9 150 502	141	9 150 517	163	9 150 557	145	9 150 618	41	9 150 628	49
9 150 503	145	9 150 517	167	9 150 558	145	9 150 618	47	9 150 629	19
9 150 503	149	9 150 517	169	9 150 559	149	9 150 619	8	9 150 629	29
9 150 505	153	9 150 518	145	9 150 560	149	9 150 619	15	9 150 629	37
9 150 505	157	9 150 518	149	9 150 562	149	9 150 619	23	9 150 629	43
9 150 506	161	9 150 518	153	9 150 563	149	9 150 619	33	9 150 629	49
9 150 506	163	9 150 518	157	9 150 564	149	9 150 619	41	9 150 630	13
9 150 507	167	9 150 518	161	9 150 565	149	9 150 619	47	9 150 641	15
9 150 507	169	9 150 518	163	9 150 566	149	9 150 620	8	9 150 642	19
9 150 512	145	9 150 518	167	9 150 567	149	9 150 620	15	9 150 643	8
9 150 512	149	9 150 518	169	9 150 568	153	9 150 620	23	9 150 643	23
9 150 512	153	9 150 519	145	9 150 569	153	9 150 620	33	9 150 643	29
9 150 512	157	9 150 519	149	9 150 570	153	9 150 620	41	9 150 644	33
9 150 512	161	9 150 519	153	9 150 571	153	9 150 620	47	9 150 644	37
9 150 512	163	9 150 519	157	9 150 572	153	9 150 621	8	9 150 645	41
9 150 512	167	9 150 519	161	9 150 573	153	9 150 621	15	9 150 645	43
9 150 512	169	9 150 519	163	9 150 574	153	9 150 621	23	9 150 646	47
9 150 513	145	9 150 519	167	9 150 575	153	9 150 621	33	9 150 646	49
9 150 513	149	9 150 519	169	9 150 576	153	9 150 621	41	9 150 647	8
9 150 513	153	9 150 521	137	9 150 577	153	9 150 621	47	9 150 647	23
9 150 513	157	9 150 522	137	9 150 578	153	9 150 622	19	9 150 647	29
9 150 513	161	9 150 523	137	9 150 579	153	9 150 622	29	9 150 647	33
9 150 513	163	9 150 524	137	9 150 580	153	9 150 622	37	9 150 647	37
9 150 513	167	9 150 525	137	9 150 581	153	9 150 622	43	9 150 647	41
9 150 513	169	9 150 526	137	9 150 582	153	9 150 622	49	9 150 647	43
9 150 514	145	9 150 527	137	9 150 583	153	9 150 623	19	9 150 647	47
9 150 514	149	9 150 528	137	9 150 613	8	9 150 623	29	9 150 647	49
9 150 514	153	9 150 529	141	9 150 613	15	9 150 623	37	9 150 648	8
9 150 514	157	9 150 530	141	9 150 613	23	9 150 623	43	9 150 648	23

Order no.	Page	Order no.	Page	Order no.	Page	Order no.	Page	Order no.	Page
9 150 648	29	9 150 656	29	9 150 710	23	9 150 827	157	9 150 932	19
9 150 648	33	9 150 656	33	9 150 711	23	9 150 828	157	9 150 933	29
9 150 648	37	9 150 656	37	9 150 712	23	9 150 829	157	9 150 934	29
9 150 648	41	9 150 656	41	9 150 713	23	9 150 830	157	9 150 935	29
9 150 648	43	9 150 656	43	9 150 714	23	9 150 841	157	9 150 936	29
9 150 648	47	9 150 656	47	9 150 715	23	9 150 842	157	9 150 937	29
9 150 648	49	9 150 656	49	9 150 716	23	9 150 843	157	9 150 938	29
9 150 649	8	9 150 657	153	9 150 717	23	9 150 844	157	9 150 939	29
9 150 649	23	9 150 658	153	9 150 718	23	9 150 845	157	9 150 940	29
9 150 649	29	9 150 659	153	9 150 719	33	9 150 846	157	9 150 941	37
9 150 649	33	9 150 660	153	9 150 720	33	9 150 847	157	9 150 942	37
9 150 649	37	9 150 661	153	9 150 721	33	9 150 848	157	9 150 943	37
9 150 649	41	9 150 662	161	9 150 722	33	9 150 849	157	9 150 944	37
9 150 649	43	9 150 663	161	9 150 723	33	9 150 850	157	9 150 945	37
9 150 649	47	9 150 664	161	9 150 724	33	9 150 851	157	9 150 946	37
9 150 649	49	9 150 665	161	9 150 725	33	9 150 852	157	9 150 947	37
9 150 650	8	9 150 666	161	9 150 726	33	9 150 853	157	9 150 948	37
9 150 650	23	9 150 667	161	9 150 727	33	9 150 854	157	9 150 949	37
9 150 650	29	9 150 668	161	9 150 728	33	9 150 855	163	9 150 950	37
9 150 650	33	9 150 669	161	9 150 729	33	9 150 856	163	9 150 951	37
9 150 650	37	9 150 670	167	9 150 730	33	9 150 857	163	9 150 952	37
9 150 650	41	9 150 671	167	9 150 731	33	9 150 858	163	9 150 953	37
9 150 650	43	9 150 672	167	9 150 732	33	9 150 859	163	9 150 954	37
9 150 650	47	9 150 673	167	9 150 733	33	9 150 860	163	9 150 955	37
9 150 650	49	9 150 674	167	9 150 734	33	9 150 861	163	9 150 956	37
9 150 652	8	9 150 675	167	9 150 735	33	9 150 862	163	9 150 957	43
9 150 652	23	9 150 676	167	9 150 736	33	9 150 863	163	9 150 958	43
9 150 652	29	9 150 677	167	9 150 737	33	9 150 864	163	9 150 959	43
9 150 652	33	9 150 678	15	9 150 738	33	9 150 865	163	9 150 960	43
9 150 652	37	9 150 679	15	9 150 739	33	9 150 866	163	9 150 961	43
9 150 652	41	9 150 680	15	9 150 740	41	9 150 867	163	9 150 962	43
9 150 652	43	9 150 681	15	9 150 741	41	9 150 868	163	9 150 963	43
9 150 652	47	9 150 682	15	9 150 742	41	9 150 869	163	9 150 964	43
9 150 652	49	9 150 683	15	9 150 743	41	9 150 870	163	9 150 965	43
9 150 653	8	9 150 684	15	9 150 744	41	9 150 871	163	9 150 966	43
9 150 653	23	9 150 685	15	9 150 745	41	9 150 872	163	9 150 967	43
9 150 653	29	9 150 686	7	9 150 746	41	9 150 873	163	9 150 968	43
9 150 653	33	9 150 686	23	9 150 747	41	9 150 874	163	9 150 969	43
9 150 653	37	9 150 687	7	9 150 748	47	9 150 875	163	9 150 970	43
9 150 653	41	9 150 687	23	9 150 749	47	9 150 876	169	9 150 981	43
9 150 653	43	9 150 688	7	9 150 750	47	9 150 877	169	9 150 982	43
9 150 653	47	9 150 688	23	9 150 751	47	9 150 878	169	9 150 983	43
9 150 653	49	9 150 702	7	9 150 752	47	9 150 879	169	9 150 984	43
9 150 654	8	9 150 702	23	9 150 753	47	9 150 880	169	9 150 985	43
9 150 654	23	9 150 703	7	9 150 754	47	9 150 881	169	9 150 986	43
9 150 654	29	9 150 703	23	9 150 755	47	9 150 882	169	9 150 987	43
9 150 654	33	9 150 704	7	9 150 782	37	9 150 883	169	9 150 988	49
9 150 654	37	9 150 704	23	9 150 783	37	9 150 922	19	9 150 989	49
9 150 654	41	9 150 705	7	9 150 784	37	9 150 924	19	9 150 990	49
9 150 654	43	9 150 705	23	9 150 785	37	9 150 925	19	9 150 991	49
9 150 654	47	9 150 706	23	9 150 786	37	9 150 927	19	9 150 992	49
9 150 654	49	9 150 707	23	9 150 824	157	9 150 928	19	9 150 993	49
9 150 656	8	9 150 708	23	9 150 825	157	9 150 930	19	9 150 994	49
9 150 656	23	9 150 709	23	9 150 826	157	9 150 931	19	9 150 995	49

Order no.	Page	Order no.	Page	Order no.	Page	Order no.	Page	Order no.	Page
9 153 351	219	9 183 285	54	9 192 204	17	9 194 937	52	9 199 599	175
9 153 385	129	9 183 287	54	9 192 204	20	9 194 938	52	9 199 600	56
9 153 387	69	9 183 288	54	9 192 204	27	9 194 939	52	9 199 600	116
9 153 388	69	9 183 289	54	9 192 204	30	9 194 940	52	9 199 600	175
9 153 388	129	9 183 290	114	9 192 204	35	9 194 941	52	9 199 601	57
9 162 018	221	9 183 291	114	9 192 204	39	9 194 942	52	9 199 601	117
9 162 419	212	9 183 292	114	9 192 205	138	9 194 948	112	9 199 601	176
9 162 420	212	9 183 293	114	9 192 205	142	9 194 949	112	9 199 602	57
9 162 421	212	9 183 295	114	9 192 205	147	9 194 950	112	9 199 602	117
9 162 422	212	9 183 296	114	9 192 205	150	9 194 951	112	9 199 602	176
9 162 423	212	9 183 297	114	9 192 205	155	9 194 952	112	9 199 603	56
9 162 424	212	9 183 317	173	9 192 205	159	9 194 953	112	9 199 603	56
9 162 425	212	9 183 318	173	9 192 206	79	9 194 954	112	9 199 603	116
9 162 426	212	9 183 319	173	9 192 206	82	9 194 955	112	9 199 603	175
9 162 427	212	9 183 320	173	9 192 206	88	9 194 956	112	9 199 604	56
9 162 428	212	9 183 323	173	9 192 206	95	9 194 957	112	9 199 604	116
9 162 429	212	9 183 324	173	9 192 206	99	9 194 958	112	9 199 604	175
9 162 430	212	9 183 325	173	9 192 208	17	9 194 959	112	9 199 605	56
9 162 431	212	9 183 326	173	9 192 208	20	9 194 960	112	9 199 605	116
9 163 229	222	9 183 327	173	9 192 208	27	9 194 961	112	9 199 605	175
9 182 222	60	9 183 328	173	9 192 208	30	9 194 962	112	9 199 606	57
9 182 222	179	9 183 329	173	9 192 208	35	9 194 963	112	9 199 606	117
9 182 223	120	9 183 330	173	9 192 208	39	9 194 964	112	9 199 606	176
9 182 225	60	9 183 332	173	9 192 208	79	9 194 965	112	9 199 617	57
9 182 225	179	9 183 333	173	9 192 208	82	9 194 966	112	9 199 617	117
9 182 227	120	9 183 334	173	9 192 208	88	9 194 967	112	9 199 617	176
9 182 230	122	9 183 335	173	9 192 208	95	9 194 968	112	9 199 670	64
9 182 231	62	9 184 693	219	9 192 208	99	9 194 969	112	9 199 670	124
9 182 231	181	9 184 696	218	9 192 208	138	9 194 970	112	9 199 670	183
9 182 233	122	9 189 409	61	9 192 208	142	9 194 971	112	9 199 671	64
9 182 234	62	9 189 409	180	9 192 208	147	9 194 972	112	9 199 671	124
9 182 234	181	9 189 410	61	9 192 208	150	9 194 973	112	9 199 671	183
9 182 247	62	9 189 410	180	9 192 208	155	9 199 583	56	9 199 672	64
9 182 249	122	9 192 182	33	9 192 208	159	9 199 583	56	9 199 672	124
9 182 250	181	9 192 182	37	9 194 917	52	9 199 583	116	9 199 672	183
9 182 706	27	9 192 183	153	9 194 918	52	9 199 583	175	9 199 673	64
9 182 706	30	9 192 183	157	9 194 919	52	9 199 584	56	9 199 673	124
9 182 706	35	9 192 184	93	9 194 920	52	9 199 584	116	9 199 673	183
9 182 706	39	9 192 184	97	9 194 921	52	9 199 584	175	9 199 674	65
9 182 706	60	9 192 189	23	9 194 922	52	9 199 585	56	9 199 674	125
9 182 712	147	9 192 189	26	9 194 923	52	9 199 585	116	9 199 674	184
9 182 712	150	9 192 189	29	9 194 924	52	9 199 585	175	9 199 680	64
9 182 712	155	9 192 190	145	9 194 925	52	9 199 586	57	9 199 680	124
9 182 712	159	9 192 190	149	9 194 926	52	9 199 586	117	9 199 680	183
9 182 712	179	9 192 191	85	9 194 927	52	9 199 586	176	9 199 682	64
9 182 714	88	9 192 191	91	9 194 928	52	9 199 597	57	9 199 682	124
9 182 714	95	9 192 194	19	9 194 929	52	9 199 597	117	9 199 682	183
9 182 714	99	9 192 195	141	9 194 930	52	9 199 597	176	9 199 683	64
9 182 714	120	9 192 196	81	9 194 931	52	9 199 598	56	9 199 683	124
9 183 159	174	9 192 200	15	9 194 932	52	9 199 598	56	9 199 683	183
9 183 159	174	9 192 200	16	9 194 933	52	9 199 598	116	9 199 684	65
9 183 282	54	9 192 201	137	9 194 934	52	9 199 598	175	9 199 684	125
9 183 283	54	9 192 202	77	9 194 935	52	9 199 599	56	9 199 684	184
9 183 284	54	9 192 202	78	9 194 936	52	9 199 599	116	9 199 685	65

Order no.	Page	Order no.	Page	Order no.	Page
9 199 685	125	9 212 906	200	9 238 778	9
9 199 685	184	9 212 907	200	9 238 778	206
9 199 686	65	9 212 918	200	9 238 779	206
9 199 686	125	9 212 919	200	9 238 780	206
9 199 686	184	9 212 920	200	9 238 785	206
9 199 901	61	9 212 921	200	9 238 786	206
9 199 901	180	9 212 922	201	9 240 689	193
9 199 902	61	9 212 923	201	9 240 690	193
9 199 902	180	9 221 295	208	9 240 691	193
9 199 903	61	9 233 564	216	9 240 692	193
9 199 903	180	9 234 127	212	9 240 693	193
9 199 904	61	9 234 469	13	9 240 694	193
9 199 904	180	9 234 470	75	9 240 695	193
9 199 905	121	9 234 471	135	9 240 696	193
9 199 906	121	9 234 492	75	9 240 697	193
9 199 907	121	9 234 493	135	9 240 698	193
9 199 908	121	9 234 494	13	9 240 853	206
9 199 909	121	9 235 834	138	9 240 854	206
9 199 910	121	9 235 834	142	9 240 856	206
9 203 254	178	9 235 834	147	9 240 857	7
9 203 465	119	9 235 834	150	9 240 857	8
9 203 466	59	9 235 834	155	9 240 857	206
9 203 467	178	9 235 834	159	9 240 869	7
9 203 468	119	9 235 834	195	9 240 869	8
9 203 469	59	9 235 835	17	9 240 869	206
9 204 200	54	9 235 835	20	9 240 870	7
9 204 200	173	9 235 835	27	9 240 870	8
9 204 201	114	9 235 835	30	9 240 870	206
9 204 203	54	9 235 835	35	9 240 871	7
9 204 203	173	9 235 835	39	9 240 871	8
9 204 230	114	9 235 835	79	9 240 871	206
9 204 282	70	9 235 835	82	9 240 872	7
9 204 283	130	9 235 835	88	9 240 872	8
9 204 284	189	9 235 835	95	9 240 872	206
9 207 045	68	9 235 835	99	9 240 873	7
9 207 046	128	9 235 835	195	9 240 873	8
9 207 047	187	9 235 836	195	9 240 873	206
9 207 227	172	9 236 718	208	9 240 874	7
9 207 259	188	9 238 764	9	9 240 874	8
9 207 260	188	9 238 764	206	9 240 874	206
9 207 634	215	9 238 765	9	9 240 876	206
9 209 575	126	9 238 765	206	9 240 877	206
9 209 582	66	9 238 766	9	9 240 878	206
9 209 582	185	9 238 766	206	9 240 879	206
9 212 874	197	9 238 768	9	9 240 880	206
9 212 876	197	9 238 768	206	9 240 881	206
9 212 889	197	9 238 773	9	9 240 882	206
9 212 892	198	9 238 773	206	9 240 883	206
9 212 895	198	9 238 774	9	9 241 038	208
9 212 898	197	9 238 774	206	9 241 049	208
9 212 901	203	9 238 775	206	9 241 050	208
9 212 903	203	9 238 776	206	9 241 051	208
9 212 904	203	9 238 777	9		
9 212 905	203	9 238 777	206		

We are improving our environmental performance – as proven by EMAS, the world's most stringent environmental management system.



Our corporate principles include taking responsibility for preserving the natural basis of life. This is where we regard statutory provisions as minimum requirements. Over and above meeting statutory requirements, it is imperative for all members of staff to act in a way that conserves energy and resources in their own particular work environment in order to overcome the global ecological challenges of the near future. In the same way, using energy and resources efficiently also plays a key part in maintaining our competitive edge.

The group wide Environmental Department was established back in 1992, with its sustainability principles of environmental protection and occupational health and safety having consistently set the framework for leading the company group forward in this direction since 1993. Introduced in 1996, the environmental management systems complying with the European EMAS Regulation (Eco Management and Audit Scheme), including ISO 14.001, are of central impor-

tance in this context. These implemented a targeted approach to identifying and realising the potentials for using energy and resources in an efficient manner as well as to ensuring conformity with the law. The results are nothing short of impressive.

Environmentally friendly projects

Innovative projects are the mark of our approach to environmental management. For instance, the primary-energy requirement of our new production facilities is up to 75% below the specifications demanded in building legislation. The exemplary, consistent use of wood-based materials in constructing our commercial buildings puts us on the forefront of using resource-conserving, renewable building materials that take enormous quantities of climate-damaging CO₂ out of the atmosphere while they are growing.

Since 2015, we have been trying out three new vehicles, each employing different propulsion systems, to test the



practical suitability of electric mobility in a variety of usage situations. At our Indian production plant, heavy metals are absorbed from concentrated waste water using an innovative method that involves living algae. At our factory in China, a solar-powered system provides staff accommodation and the canteen with hot water.

Numerous awards reflect our commitment to the environment. In 2009, the European Commission gave our zero-energy Hettich Forum building the Green Building Award at national level. In 2016, we won the sustainability prize from the East Westphalian Business Environment Foundation for an environment education project carried out over 20 years.

Success stories

Between 1997 and 2015, for example, we have managed to reduce environmental pollution from manufacturing our drawer runners and drawer systems at the Kirchlengern-Bünde production facility as follows:

- ▶ Specific water consumption 45 %
- ▶ Specific power consumption 10 %
- ▶ Specific heat consumption 73 %
- ▶ Specific CO₂ emission 30 %

Technik für Möbel



Technical information/legal notice

General technical conditions

The fitting information, screw fixing points and load capacity information contained in this catalogue assume proper attachment using screws specified by Hettich to a chipboard panel providing a screw pull out resistance of at least 1,000 N in accordance with EN 320.

Hettich accepts no responsibility for the load capacity of furniture and its components if materials or fastening methods are used other than those stated; the furniture manufacturer must verify load capacity.

The fitting situations shown in this catalogue are only intended to illustrate the possible options.

The furniture manufacturer is responsible for ensuring that furniture is designed in compliance with standards, in particular with regard to meeting the requirements on safety.

We will be pleased to provide any further information you may require.

General Terms of Sale and Delivery

All products and services will be provided exclusively on the basis of our General Terms of Sale and Delivery published on our website at www.hettich-agb.com.

Legal notice

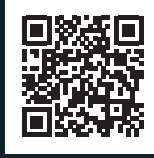
© Hettich Marketing- und Vertriebs GmbH & Co. KG
32602 Vlotho · Germany

November 2018

We reserve all rights to this catalogue under copyright law. It shall not be permissible to duplicate this catalogue in any form either in whole or in part without our written consent. Subject to technical alterations. Errors and omissions excepted. Subject to colour variations.

Order no. 9 262 306

Let's move markets!



Order no. 9 262 306
1809-040_ArcT Tech_1118_HAU/en

Technik für Möbel


Hettich